

ILCE-1

SERVICE MANUAL

Ver. 1.0 2024.1

Conditions of Use/Revision of Information

SERVICE NOTES

ASSEMBLY

FRAME SCHEDULE
DIAGRAMS

989690361
2024A_S-1 © 2024.1

Conditions of Use/Revision of Information

Conditions of Use

- DISCLAIMER: USE AT OWN RISK. SONY AND ITS AFFILIATES ARE NOT LIABLE FOR ANY DAMAGE OR INJURY CAUSED TO ANY DIGITAL ELECTRONIC EQUIPMENT, PERSON, OR PROPERTY, WHICH OCCURS DUE TO USE OF THE TOOLS, PARTS, DOCUMENTATION, OR OTHER MATERIALS HEREIN PROVIDED, WHETHER FOR REPAIR, DIAGNOSIS, MAINTENANCE, MODIFICATION, OR OTHERWISE, INCLUDING BUT NOT LIMITED TO: ANY INDIRECT, INCIDENTAL, SPECIAL, OR CONSEQUENTIAL DAMAGES; ANY LOSS OF DATA, PRIVACY OR PROFITS; OR ANY INABILITY TO USE, OR REDUCED FUNCTIONALITY OF, THE DIGITAL ELECTRONIC EQUIPMENT. PLEASE READ ALL INSTRUCTIONS IN THIS MANUAL BEFORE PROCEEDING. PLEASE FOLLOW ALL STEPS IN THE ORDER IN WHICH THEY ARE DESCRIBED. IF YOU DO NOT HAVE ALL TOOLS AND PARTS AVAILABLE TO YOU, OR ARE NOT COMFORTABLE PERFORMING THE REPAIRS DESCRIBED HEREIN, DO NOT PROCEED. FAILURE TO FOLLOW THESE INSTRUCTIONS, OR USE THE PROPER TOOLS AND PARTS, MAY DAMAGE YOUR PRODUCT, LEAD TO PERSONAL INJURY OR CAUSE PROPERTY DAMAGE.

Note

Be sure to keep your PC used for service and checking of this unit always updated with the latest version of your anti-virus software.

Revision of Information

This information may be changed or updated at any time without any prior notice. Please confirm that this information is up-to-date before using it.

Close



SONY DIGITAL CAMERA

RELATED
SERIES

Sony Corporation

ILCE-1

SERVICE MANUAL

Ver. 1.0 2024.1

Conditions of Use/Revision of Information



INTERCHANGEABLE LENS DIGITAL CAMERA

| | | |
|--------------------------|----------------|----------------------|
| SERVICE NOTE | DISASSEMBLY | |
| ASSEMBLY | EXPLODED VIEWS | SUPPLIED ACCESSORIES |
| FRAME SCHEMATIC DIAGRAMS | | |

SERVICE NOTE

PLASTIC PARTS

Be careful to the following points for plastic parts used in this unit.

- Use a piece of cleaning paper or cleaning cloth for cleaning plastic parts. Avoid using chemicals. Even if you have to use chemicals to clean heavy dirt, do not use paint thinner, ketone, nor alcohol.
- Insert the specific screws vertically to the part when installing an plastic part. Be careful not to tighten screws too much.

SAFETY CHECK-OUT

After correcting the original service problem, perform the following safety checks before releasing the set to the customer.

1. Please follow the precautions. Areas that require special attention during service are marked with labels or stamps on cabinets, chassis, parts, etc. Please be sure to follow these precautions and instructions in the instruction manual.
2. For safety reasons, be sure to return all parts installation and wiring to their original positions.
3. Please perform a safety inspection after service. Make sure that the removed screws, parts, and wiring are in their original condition, and that there is no deterioration in the area surrounding the serviced area to ensure safety.

Caution

Danger of explosion if battery is incorrectly replaced.
Replace only with the same or equivalent type.
Dispose of used batteries according to the instructions.

SAFETY-RELATED COMPONENT WARNING!!

COMPONENTS IDENTIFIED BY MARK  OR DOTTED LINE WITH MARK  ON THE SCHEMATIC DIAGRAMS AND IN THE PARTS LIST ARE CRITICAL TO SAFE OPERATION.

REPLACE THESE COMPONENTS WITH SONY PARTS WHOSE PART NUMBERS APPEAR AS SHOWN IN THIS MANUAL OR IN SUPPLEMENTS PUBLISHED BY SONY.

HANDLING WATERPROOF POTTED COMPONENTS

Do not touch or hit the waterproof potted parts with your hands.

Work upright when removing and assembling waterproof potted components. Working at an angle will cause the waterproof potting material to come off.

Be careful to keep dust away when assembling. Use a blower to blow away dust. (Make sure it is not too strong)

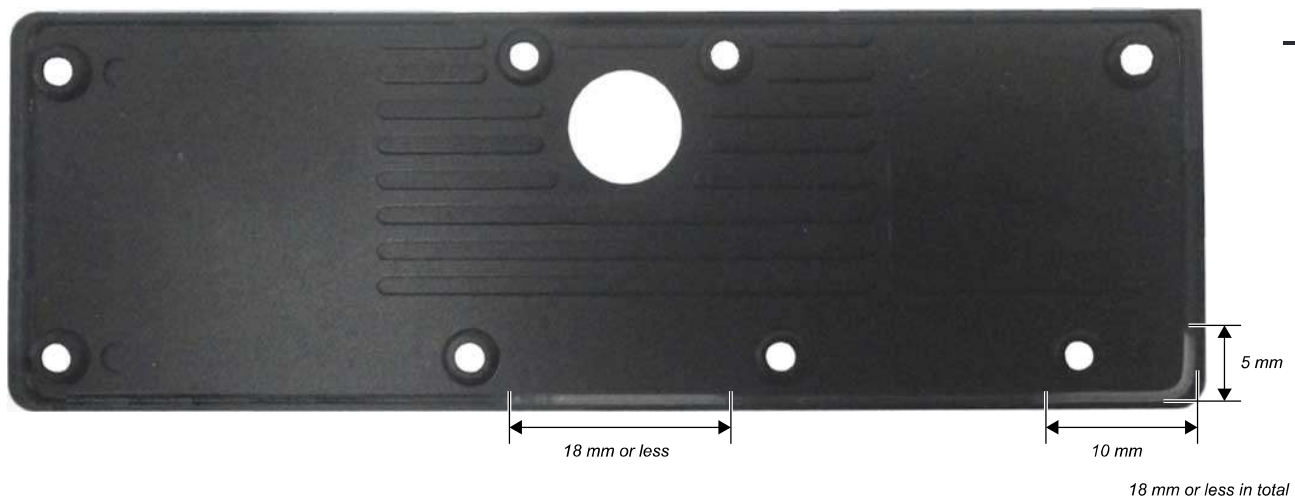
Do not wipe with solvents.

If the waterproof potting material comes off, it will appear white.

If an area appears white, refer to the following and replace the part.

- If the part coming off (white part) is 18 mm or less, it can be reused. Replacement is not necessary.
- Even if there are parts coming off (white parts) adjacent to each other or in multiple areas, they can be reused if they are 18 mm or less per area. Replacement is not necessary.
- If the part coming off (white part) is 18 mm or more, it cannot be reused. Replace the waterproof potted component.

Reference for limits of reuse



DISASSEMBLY

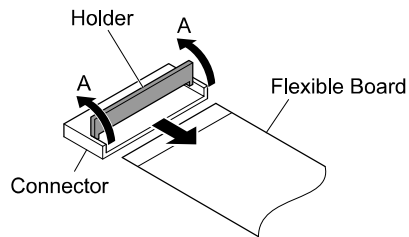
OPERATION NOTES

Make sure that the conductive side of a flexible board does not have any stain or foreign materials.

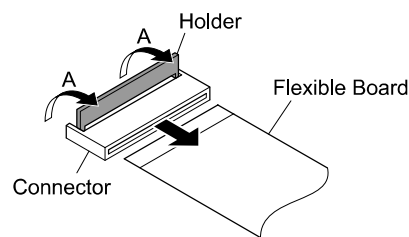
Do not touch the conductive side of flexible boards with bare hands.

When opening the connector's holder in direction A, do not open it with excessive force.

Type 1

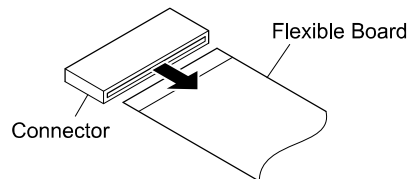


Type 2

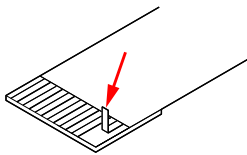


When removing the connector (without holder), pull out a flexible board straight.

Type 3



- Make sure that the flat cable and flexible board are not cracked or bent at the contact end.
- If the terminal is cracked or came off, replace it.



- Do not apply excessive force to the gilded flexible board.
- The proper way to disconnect a connector is to grab the connector instead of the wires. If you pull on the wires, they might be broken.

DISCHARGING OF THE CHARGING CAPACITOR FOR THE SHUTTER

The charging capacitor for the shutter has been charged at high voltage.

Therefore, there is a possibility of an electric shock if you directly handle the charging capacitor for the shutter.

The high-voltage charge will not be discharged by simply turning off the unit's power.

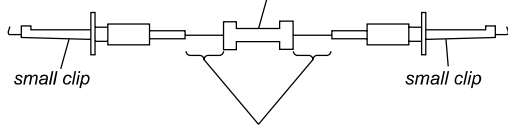
Make sure any remaining voltage is discharged by short-circuiting the charging capacitor discharge land for the shutter with a short jig.

Preparing a Short Jig

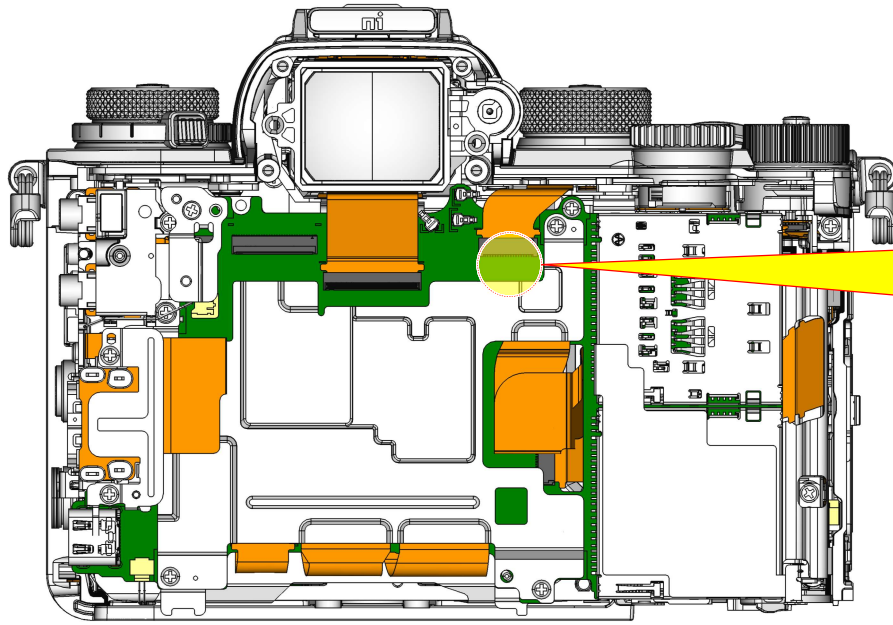
Make a short jig by connecting a small clip to each lead of a resistor with a rated value of approximately 1 kΩ /1 W.

In order to prevent an electric shock, wrap insulating tape completely around the resistor and its leads.

Resistor with a rated value of approximately
1 k Ω /1 W resistor (Part No. 121586911)



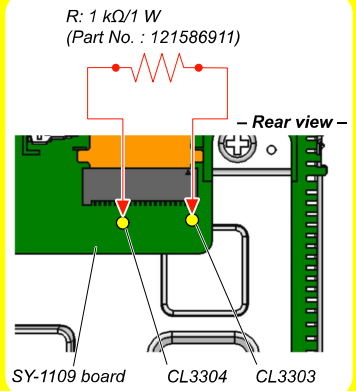
Wrap insulating tape completely
around the resistor and its leads.



- Rear view -

Note: High-voltage cautions

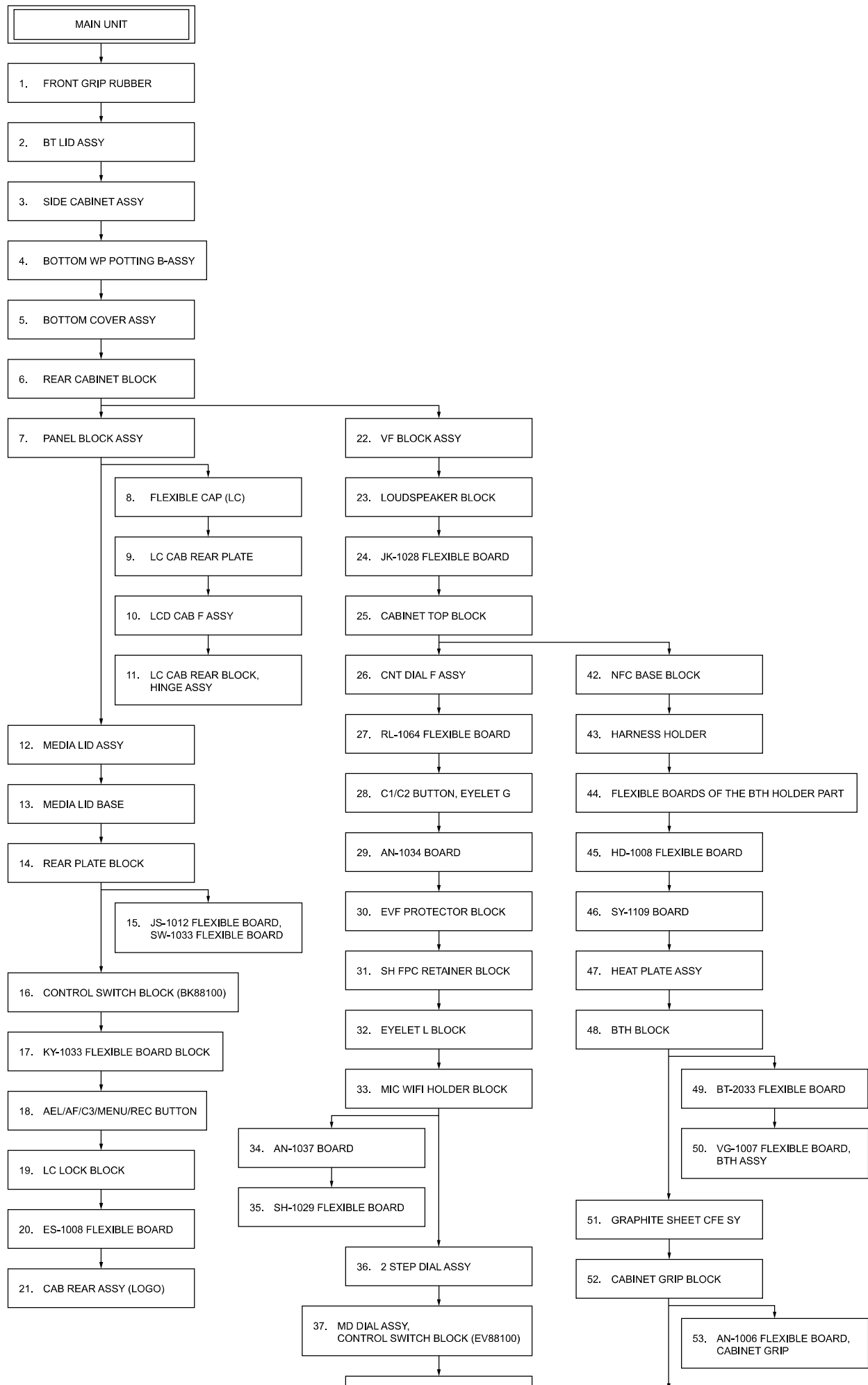
Discharging the Capacitor
Short-circuit between two points with
the short jig about 10 seconds.

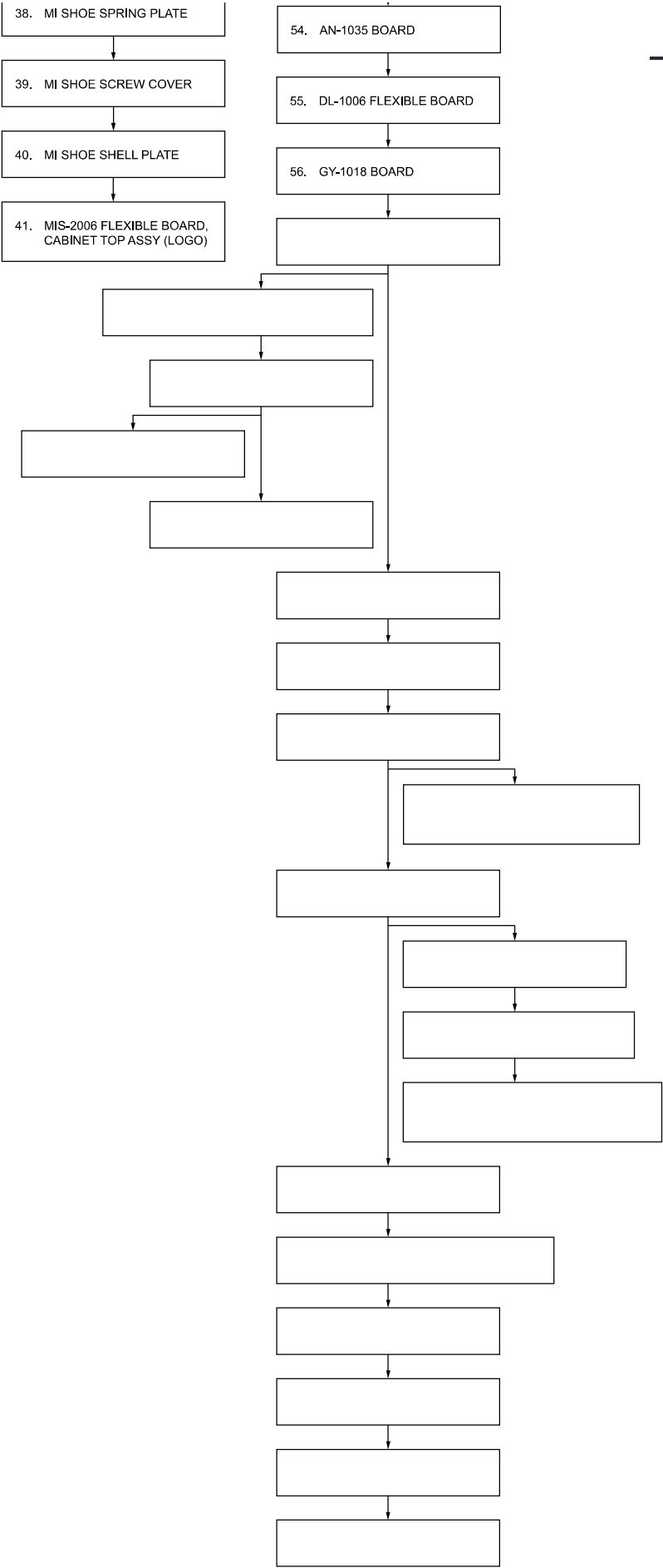


DISASSEMBLY FLOW

This set can be disassembled in the order shown below.

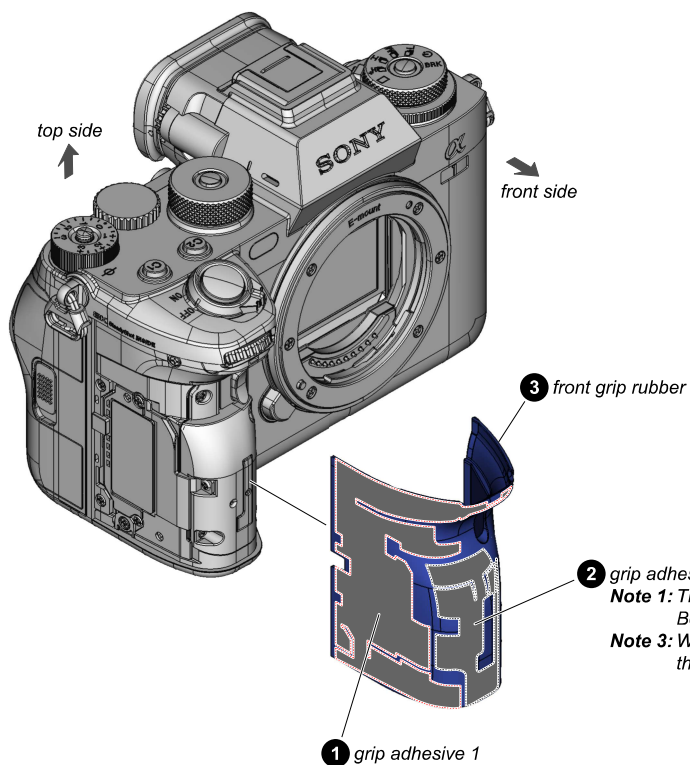
—





Note: Follow the disassembly procedure in the numerical order given.

1. FRONT GRIP RUBBER



1 grip adhesive 1

Note 1: This parts be not reused.

Be sure to replace them with new parts.

Note 2: When disassembling the rear cabinet block or top cover block, it is possible to remove the screw by peeling off only a part of the front grip rubber (pasting point of the grip adhesive 1).

2 grip adhesive 2

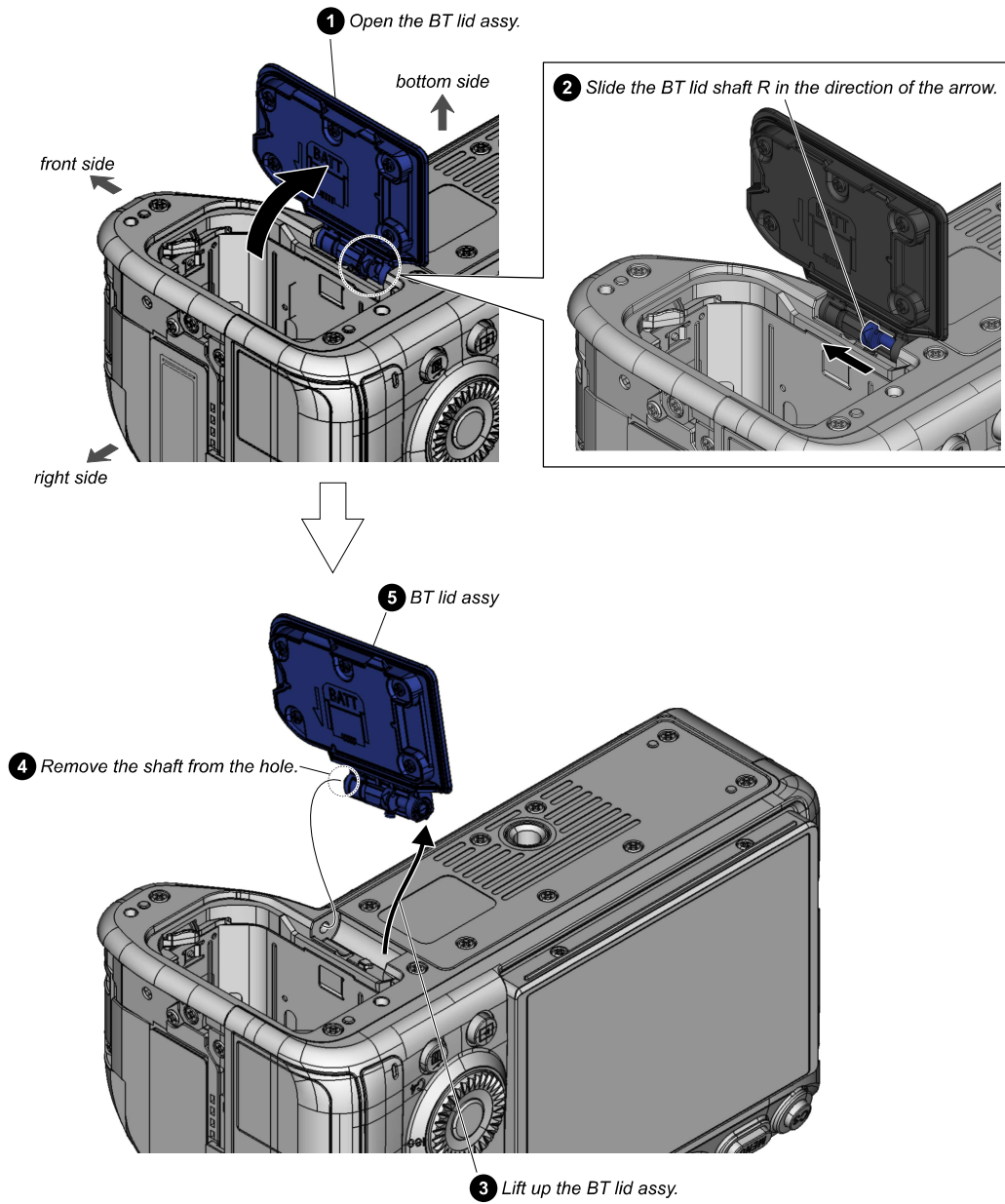
Note 1: This parts be not reused.

Be sure to replace them with new parts.

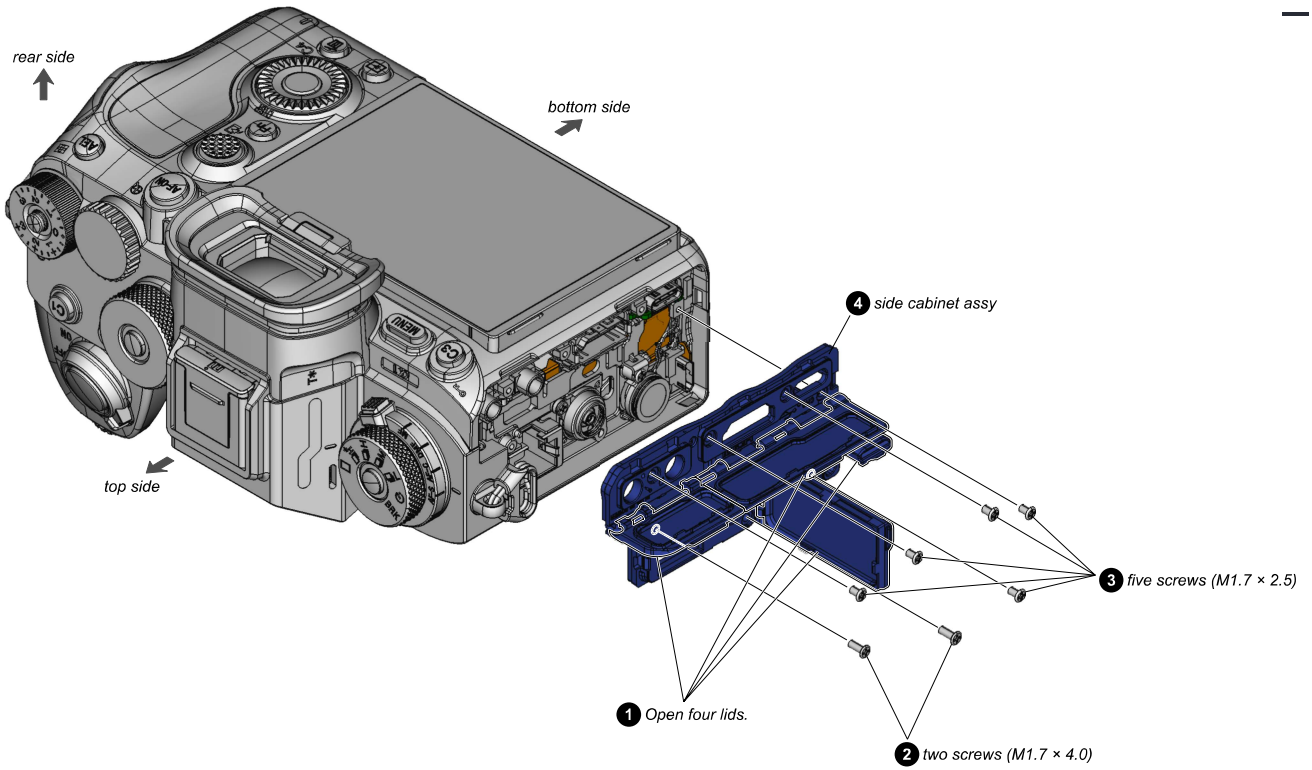
Note 3: When disassembling the rear cabinet block or top cover block, the grip adhesive 2 does not need to be peeled off.

3 front grip rubber

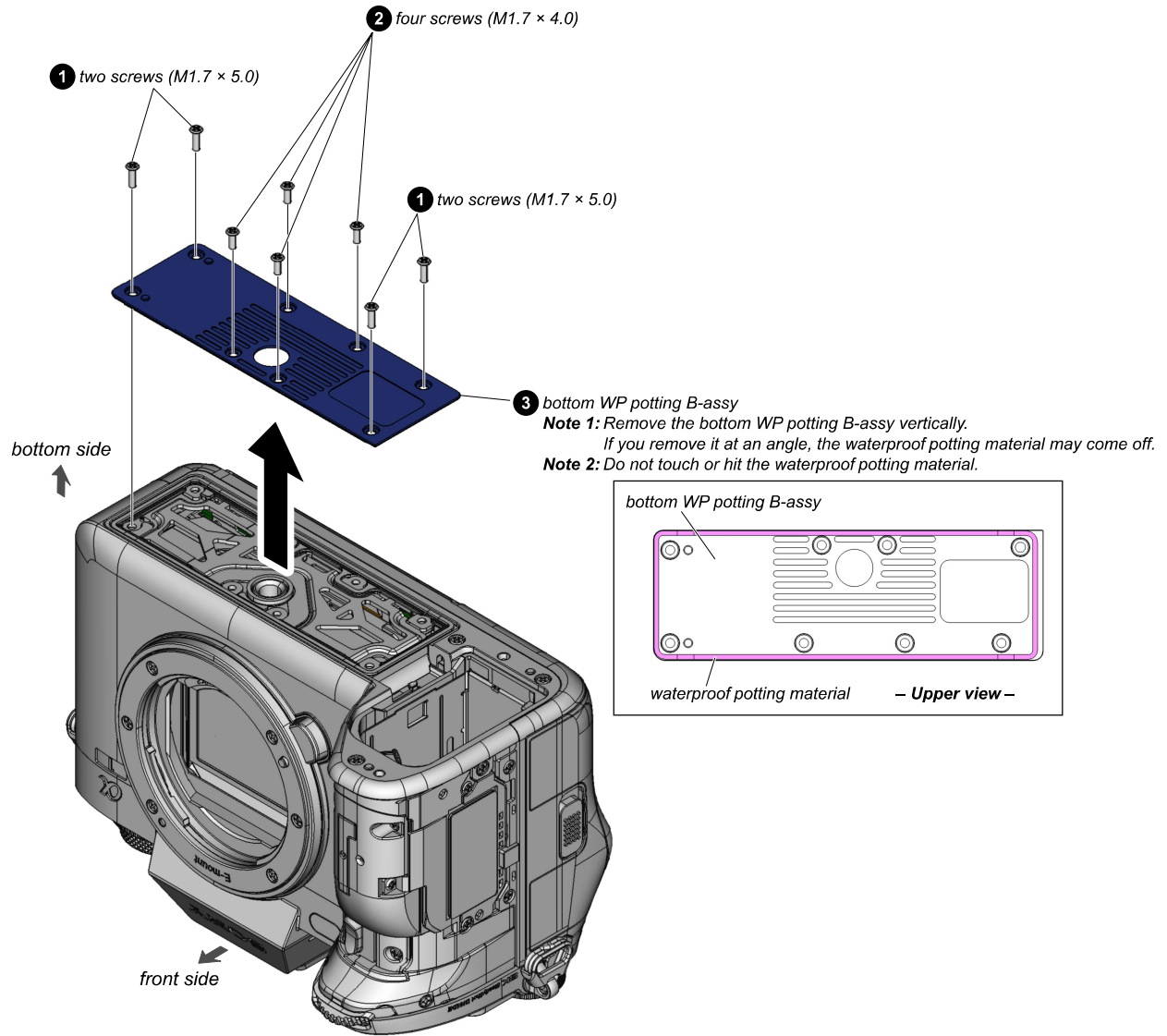
2. BT LID ASSY



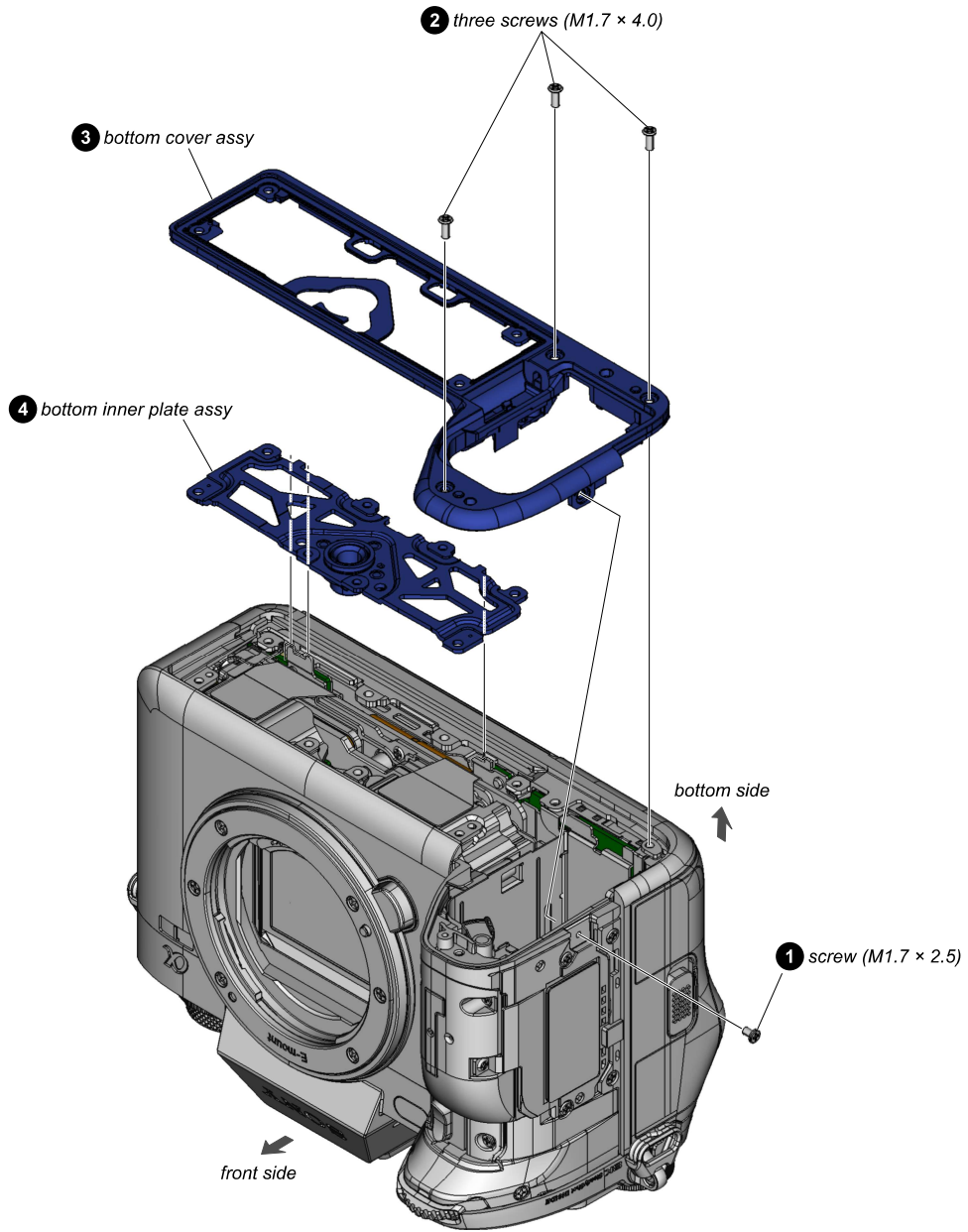
3. SIDE CABINET ASSY

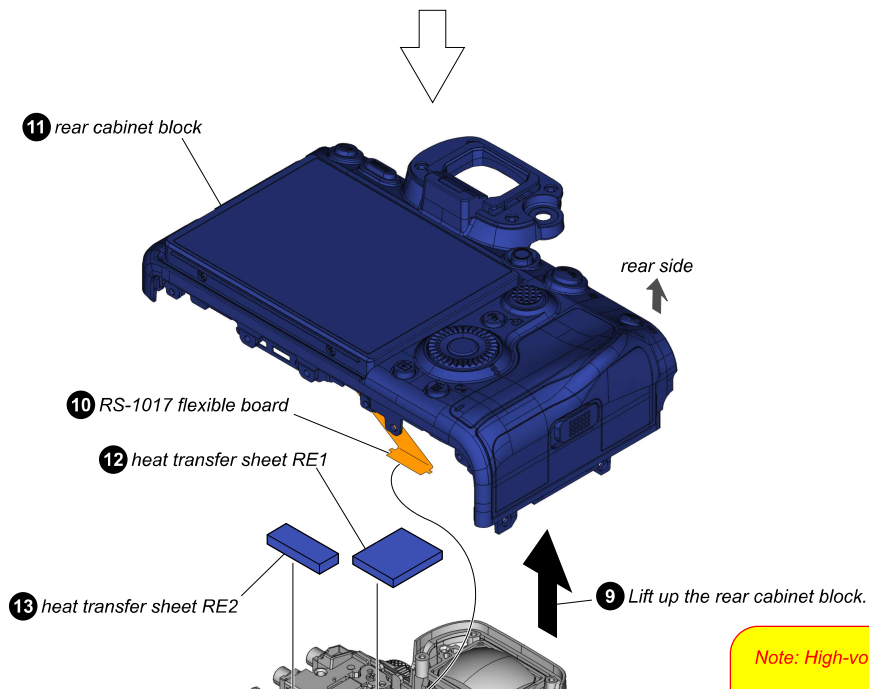
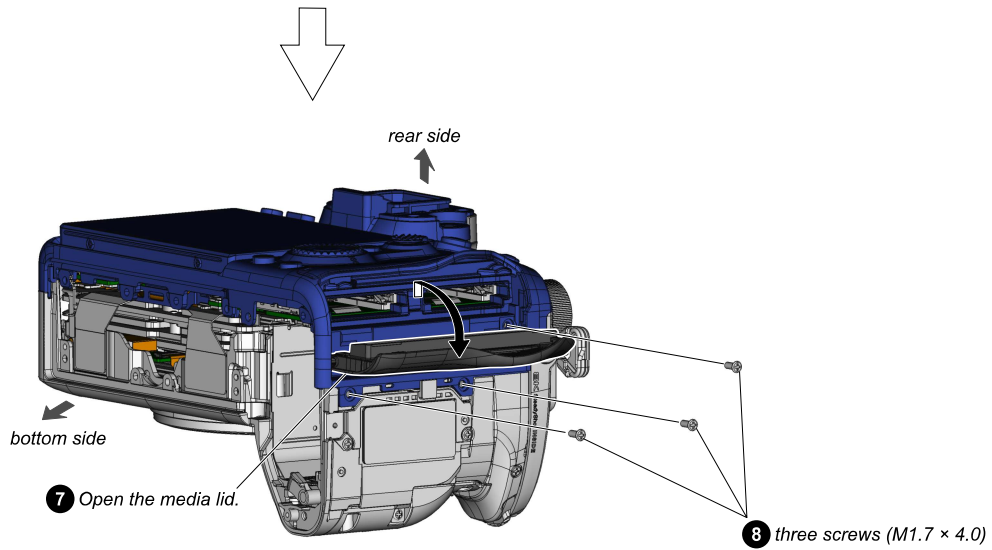
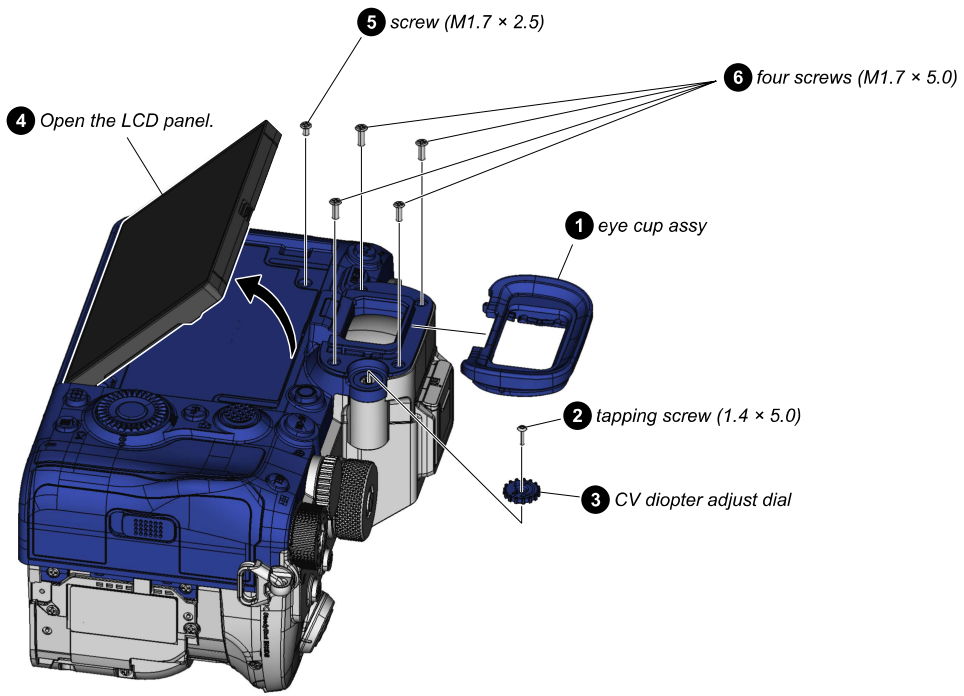


4. BOTTOM WP POTTING B-ASSY

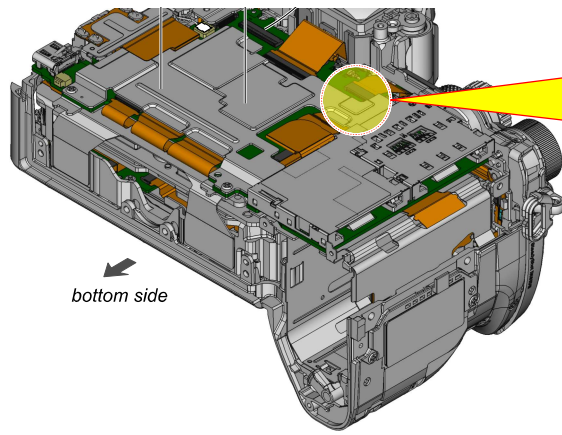


5. BOTTOM COVER ASSY



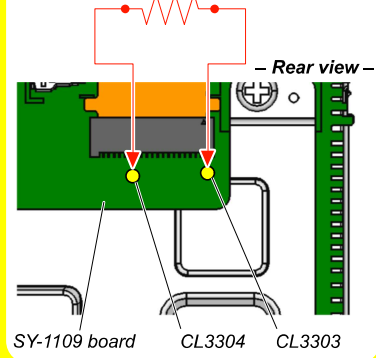


Note: High-voltage cautions

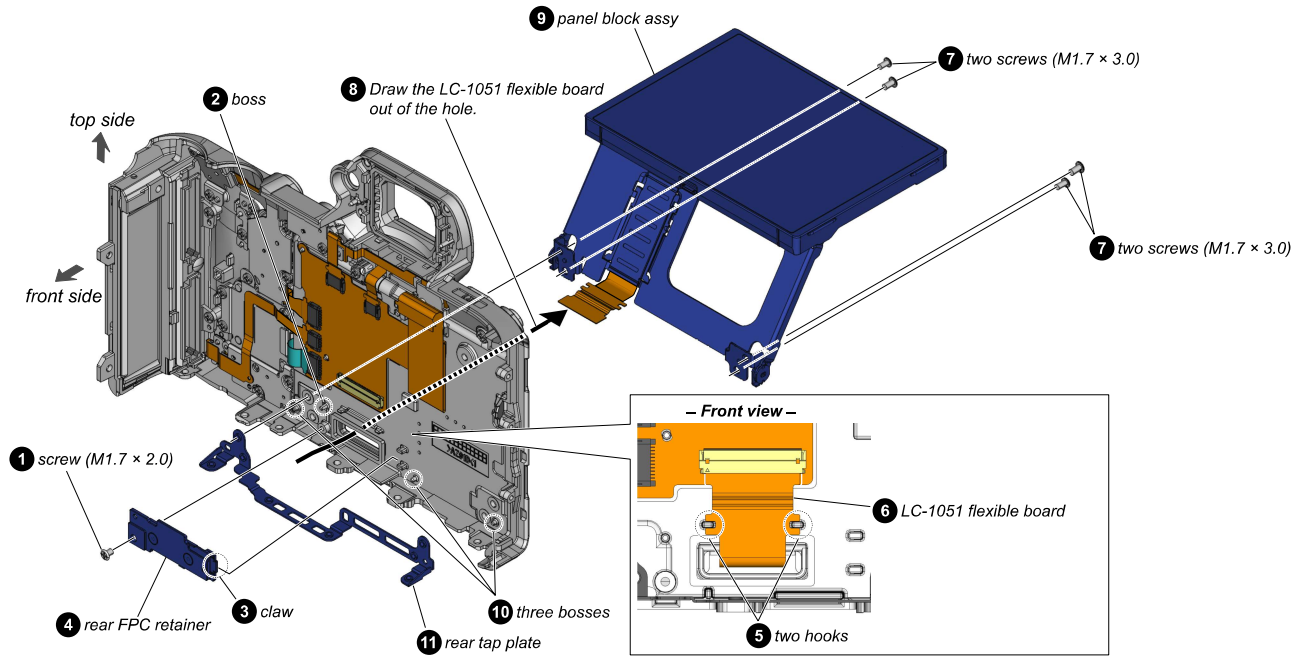


Discharging the Capacitor
Short-circuit between two points with
the short jig about 10 seconds.

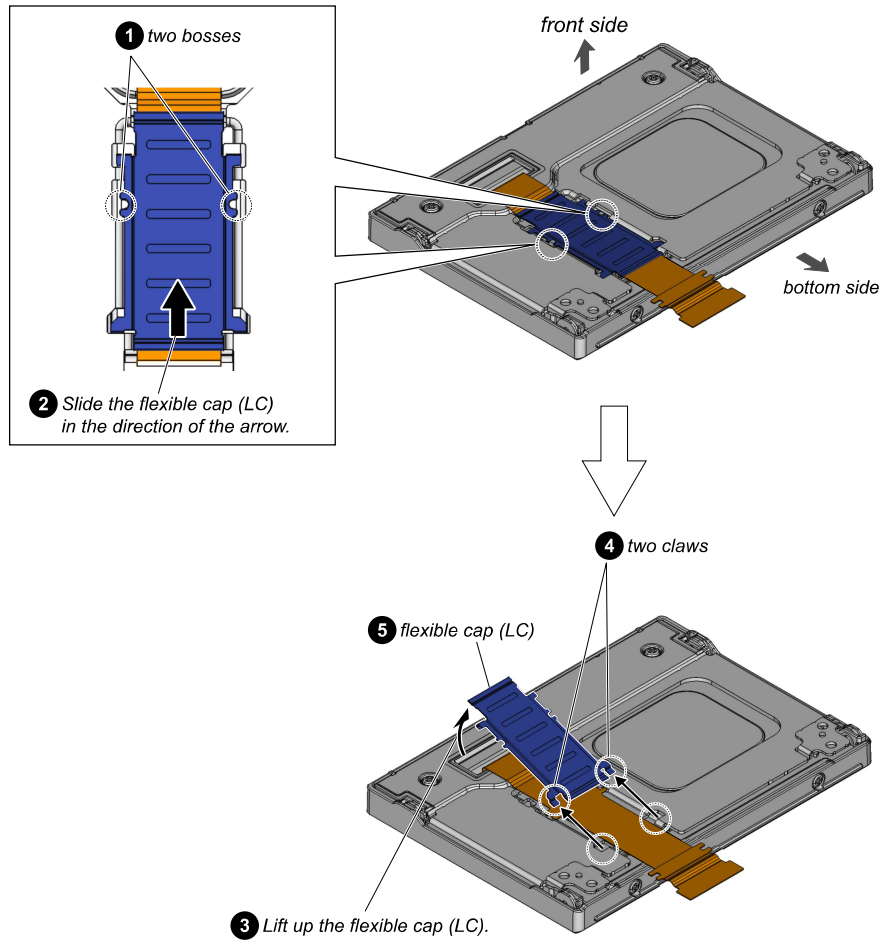
R: 1 kΩ/1 W
(Part No. : 121586911)

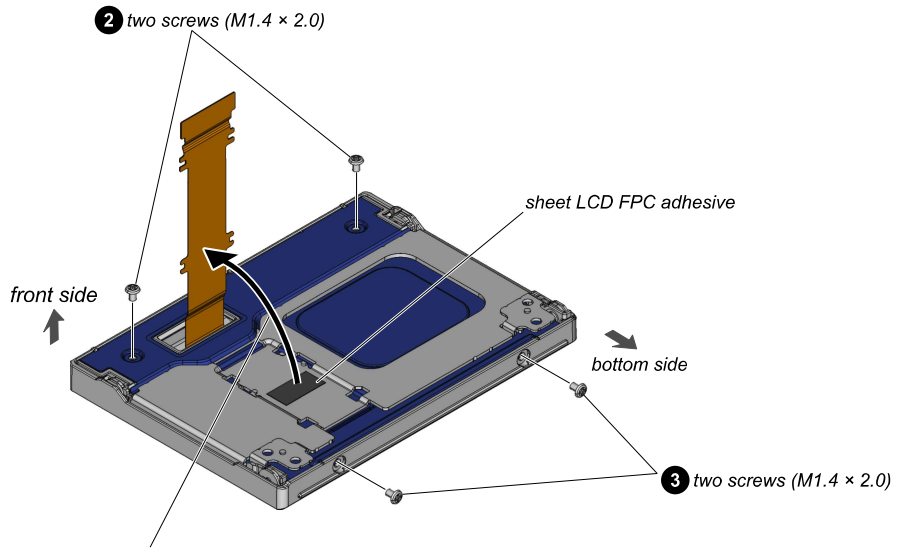


7. PANEL BLOCK ASSY

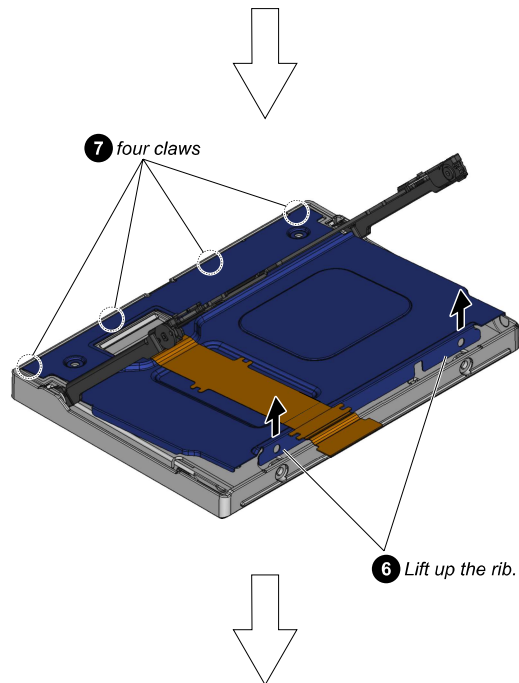
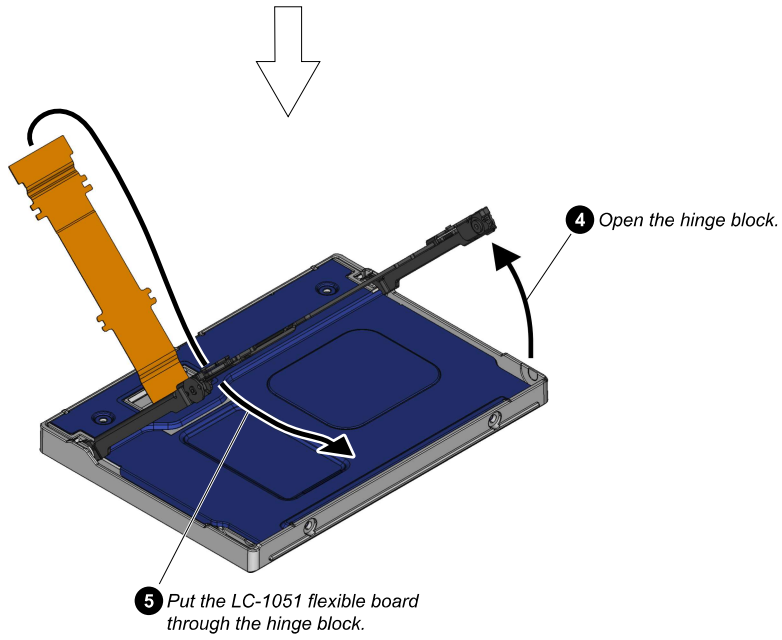


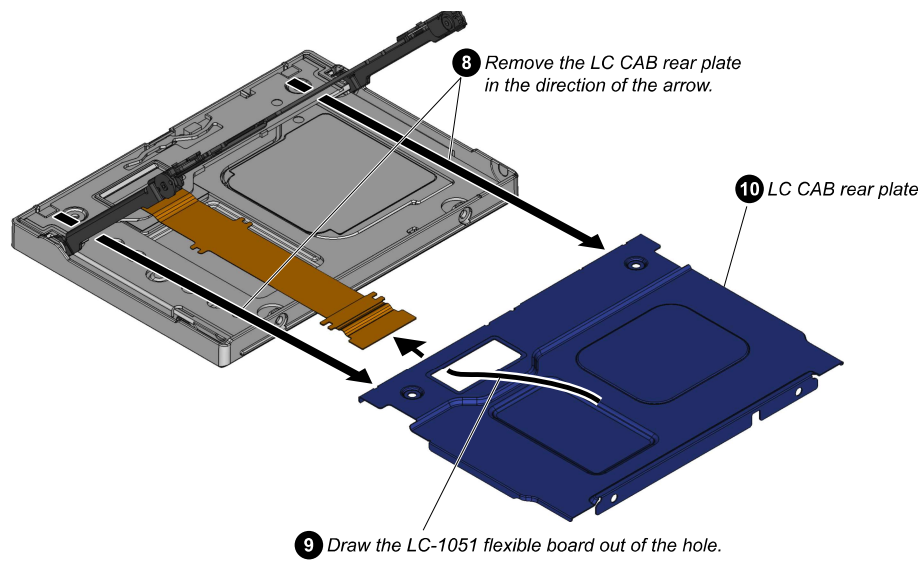
8. FLEXIBLE CAP (LC)



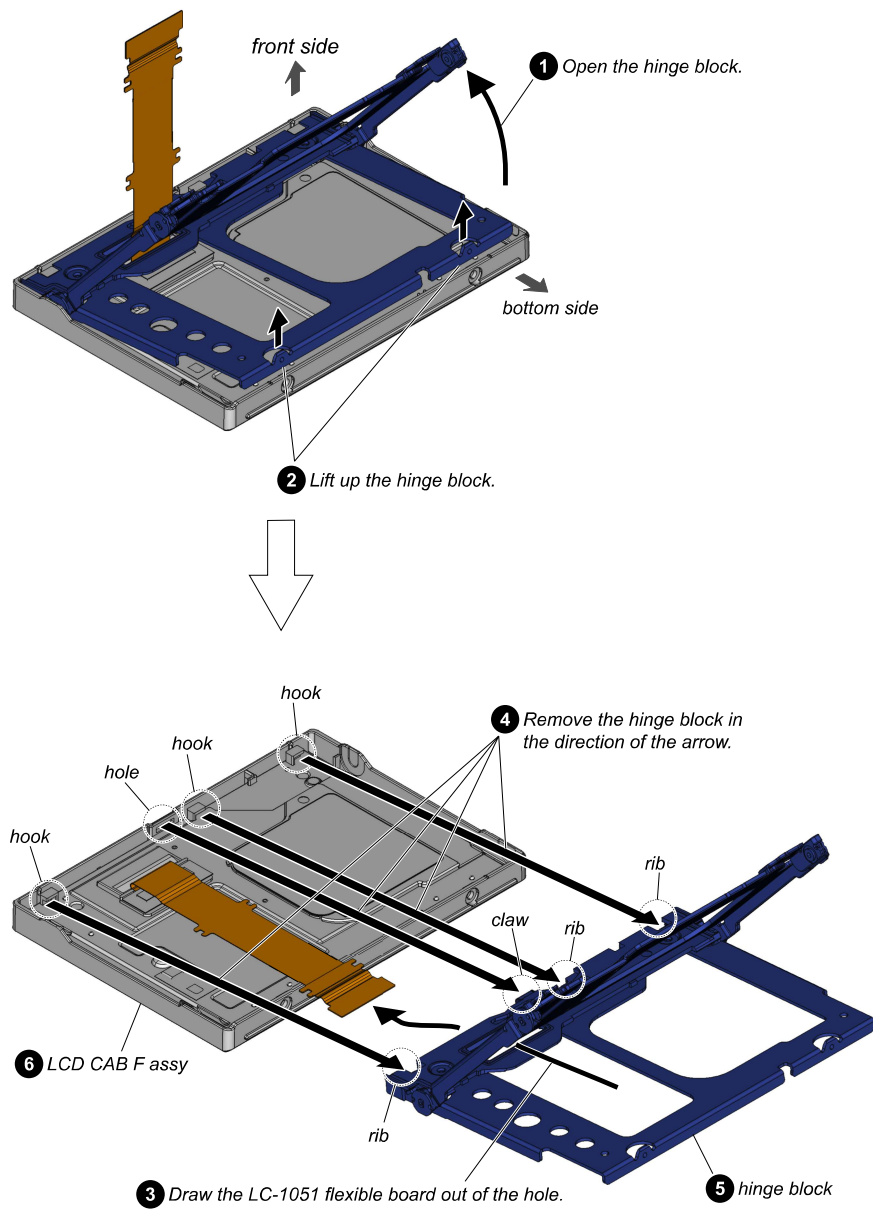


- 1** Peel off the LC-1051 flexible board.
Note: Take care not to damage the flexible board.

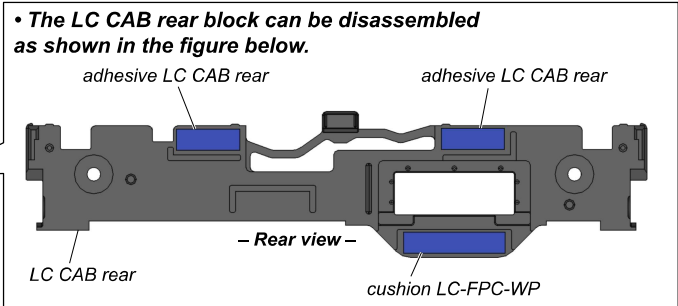
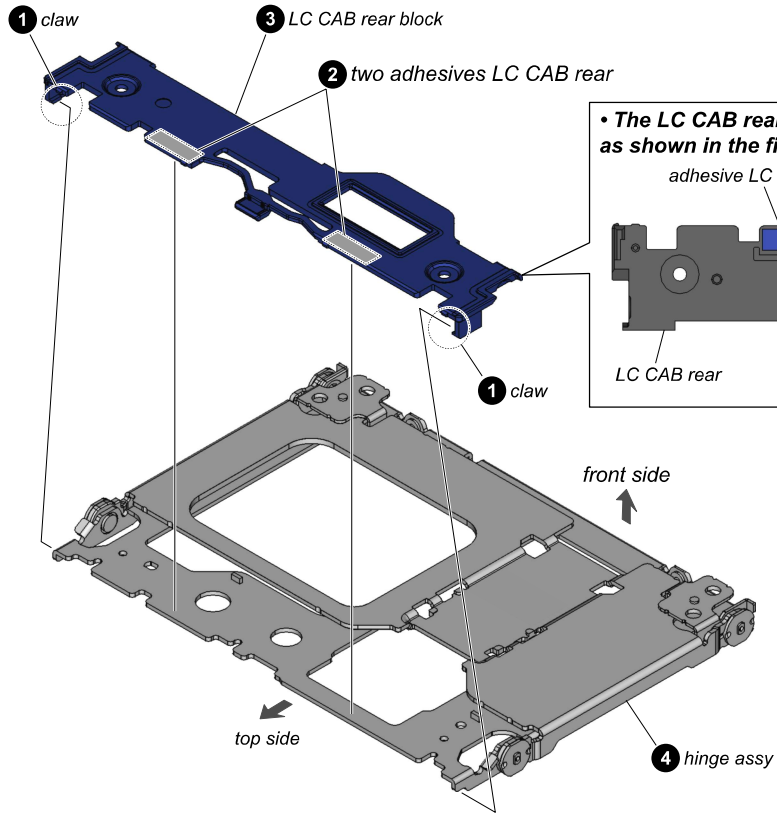




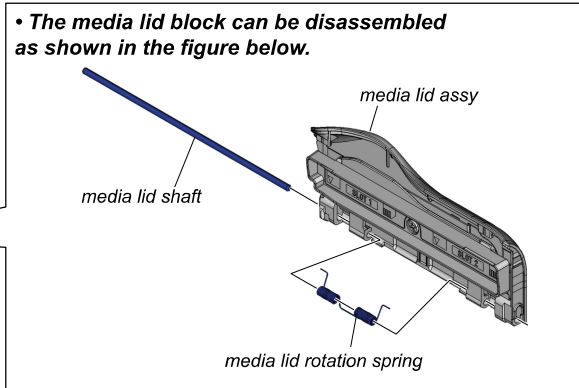
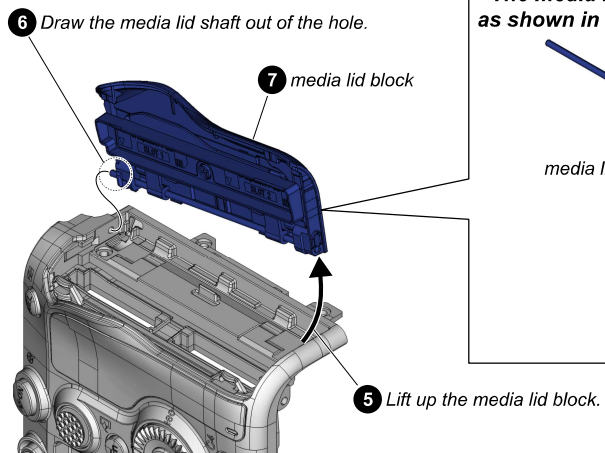
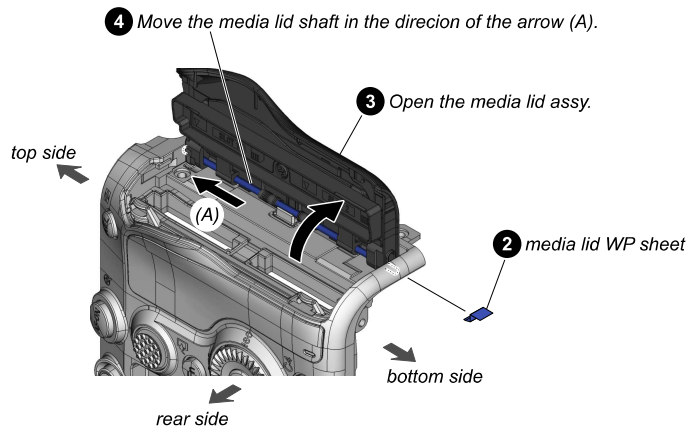
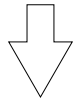
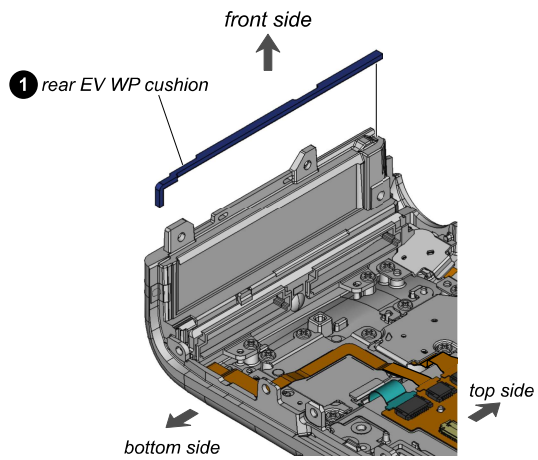
10. LCD CAB F ASSY

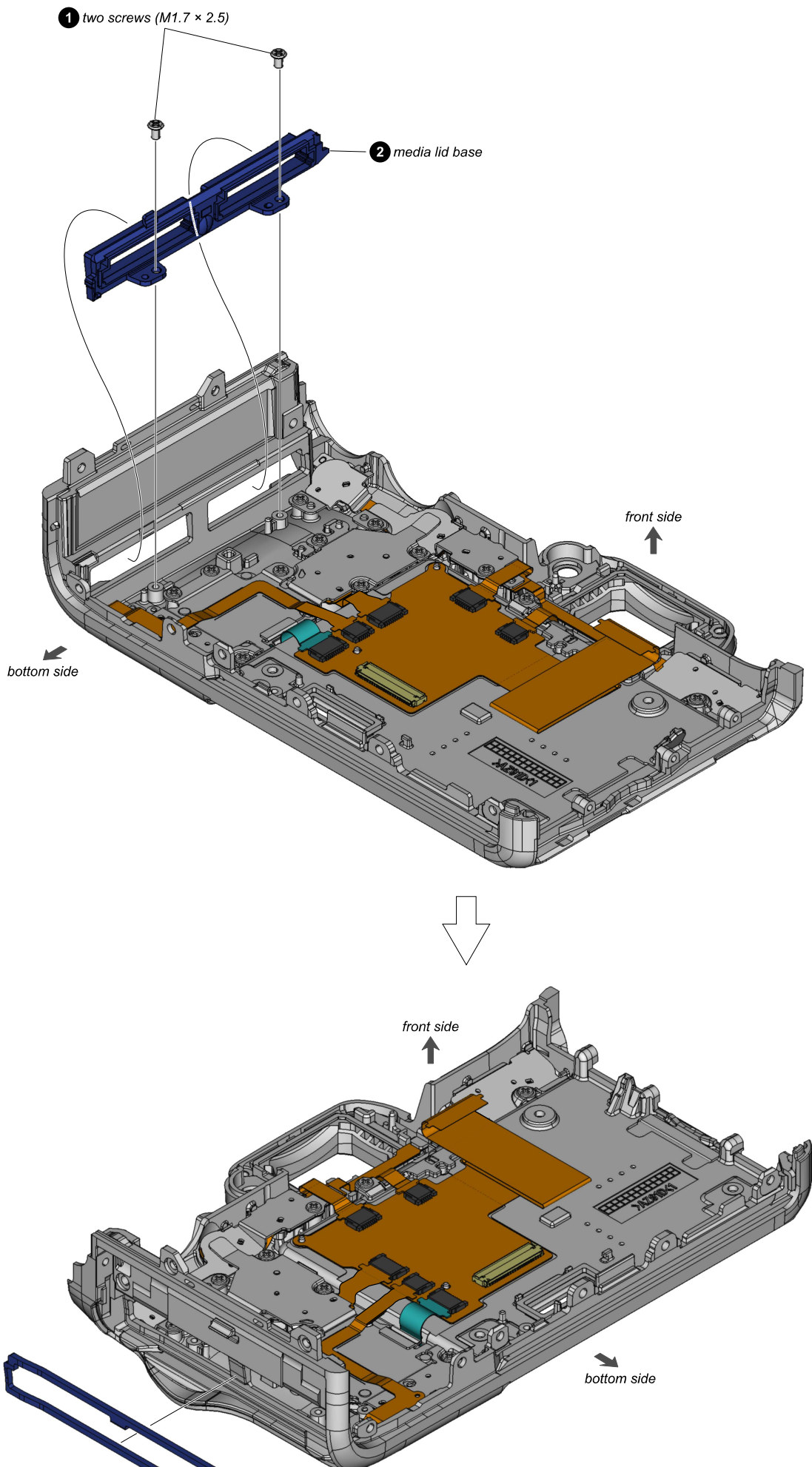


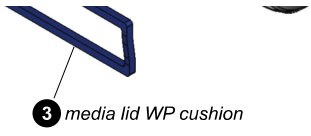
11. LC CAB REAR BLOCK, HINGE ASSY



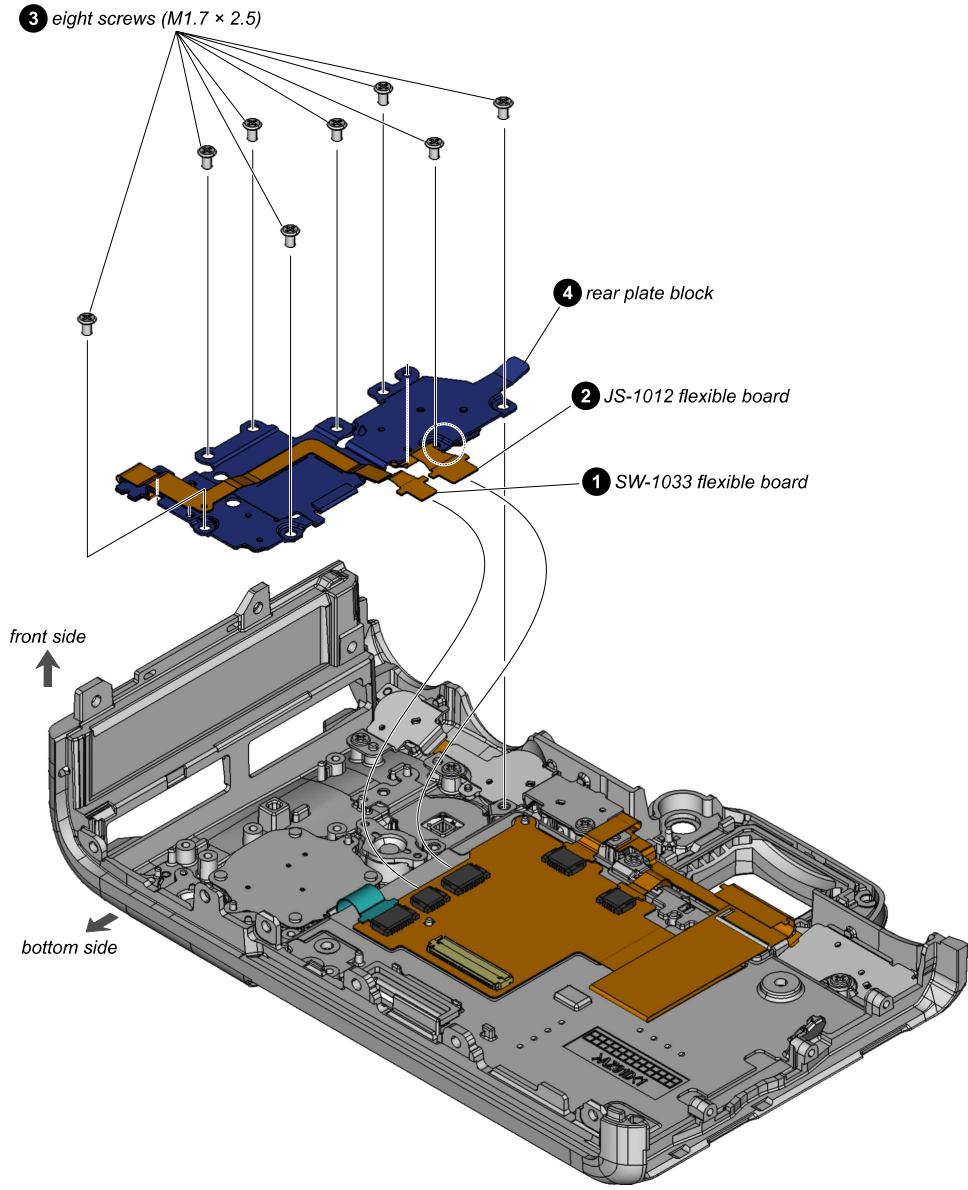
12. MEDIA LID ASSY



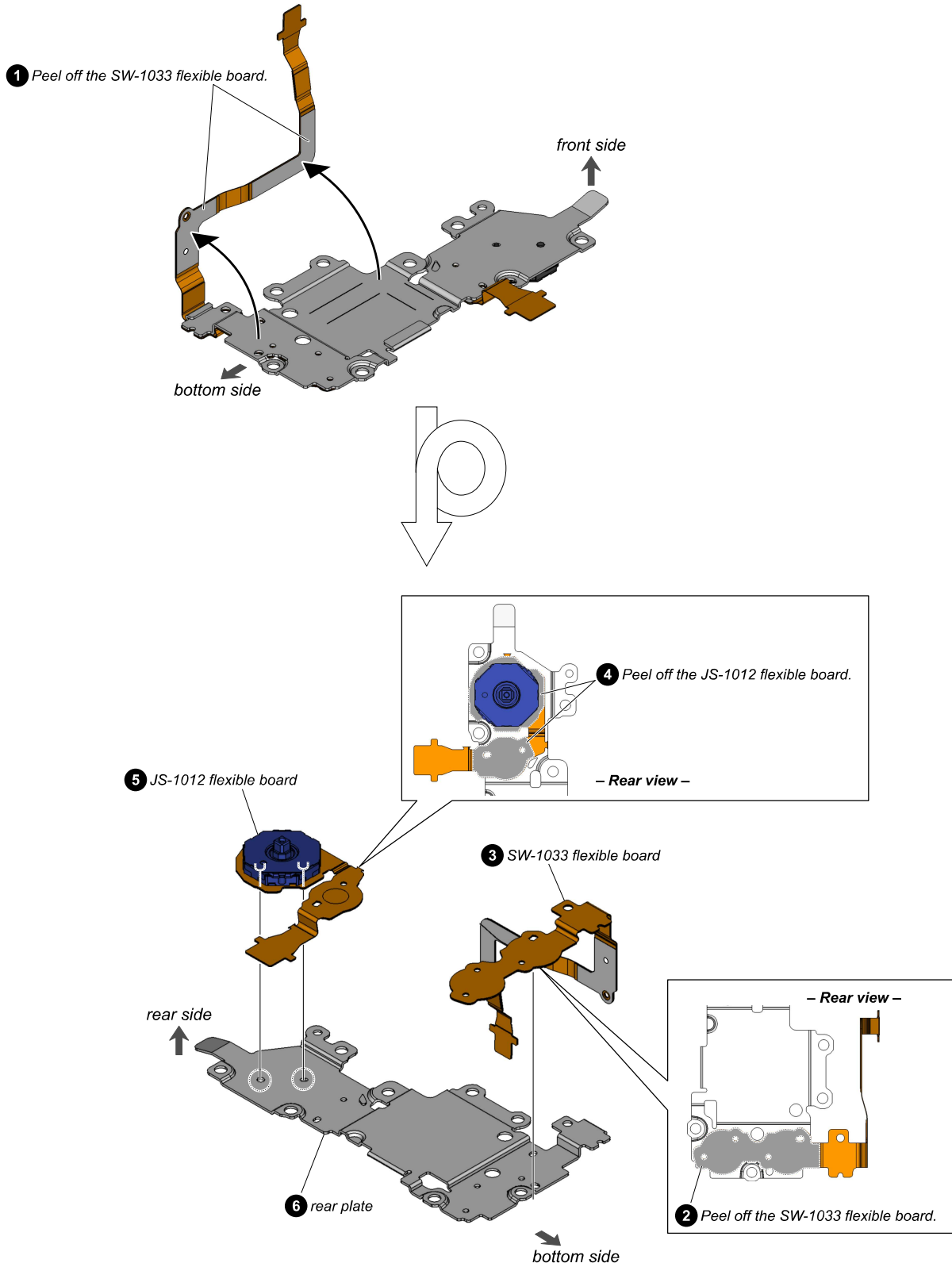




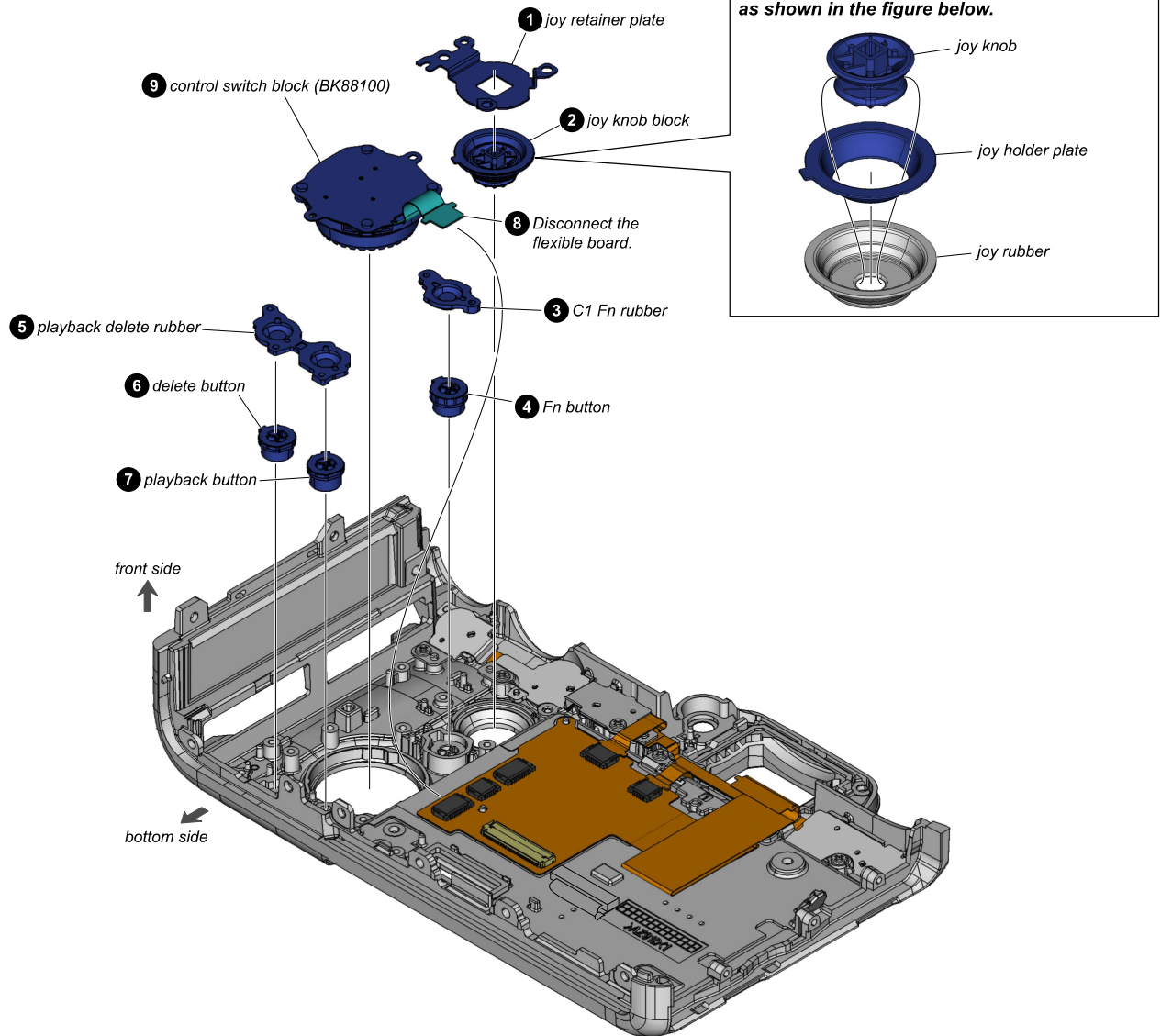
14. REAR PLATE BLOCK



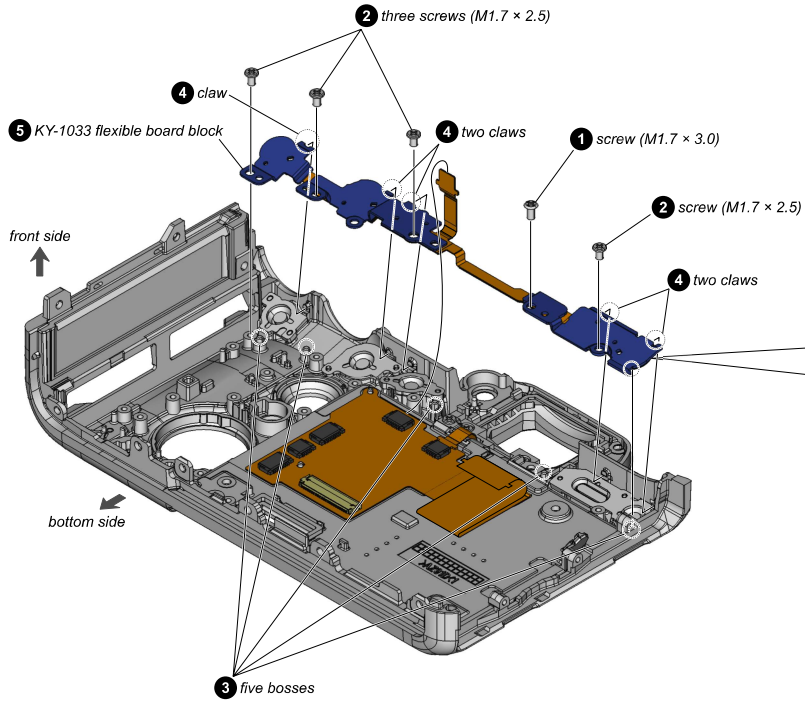
15. JS-1012 FLEXIBLE BOARD, SW-1033 FLEXIBLE BOARD



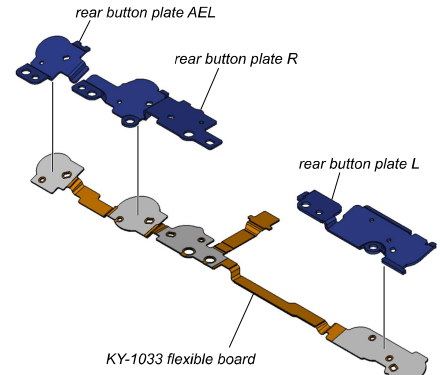
16. CONTROL SWITCH BLOCK (BK88100)



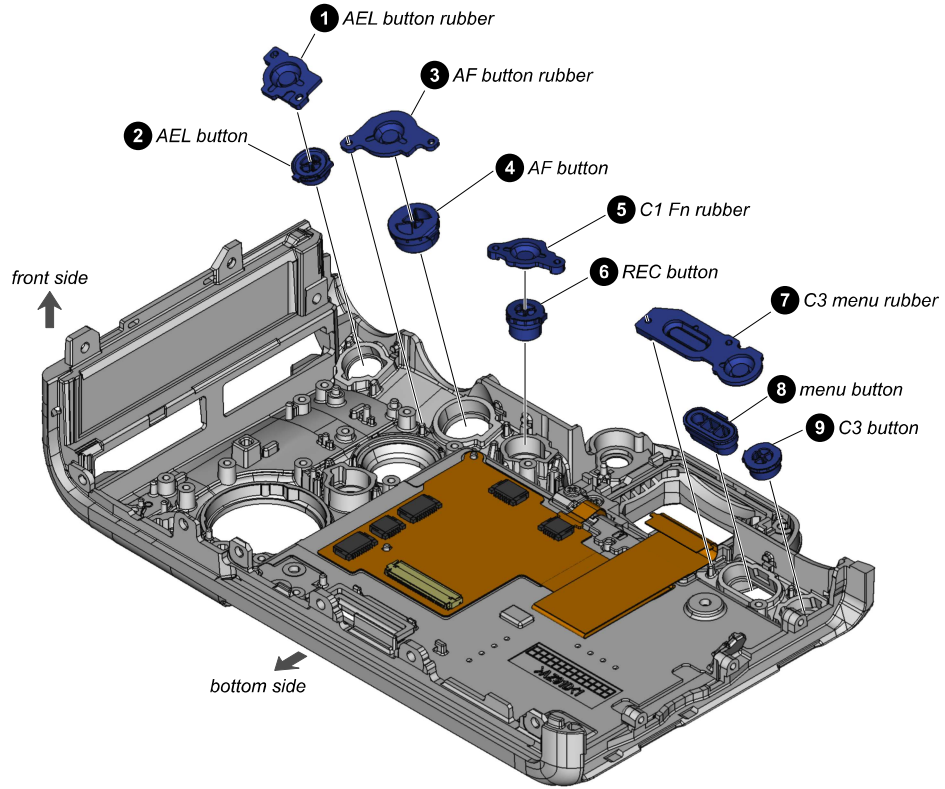
17. KY-1033 FLEXIBLE BOARD BLOCK



• The KY-1033 flexible board block can be disassembled as shown in the figure below.

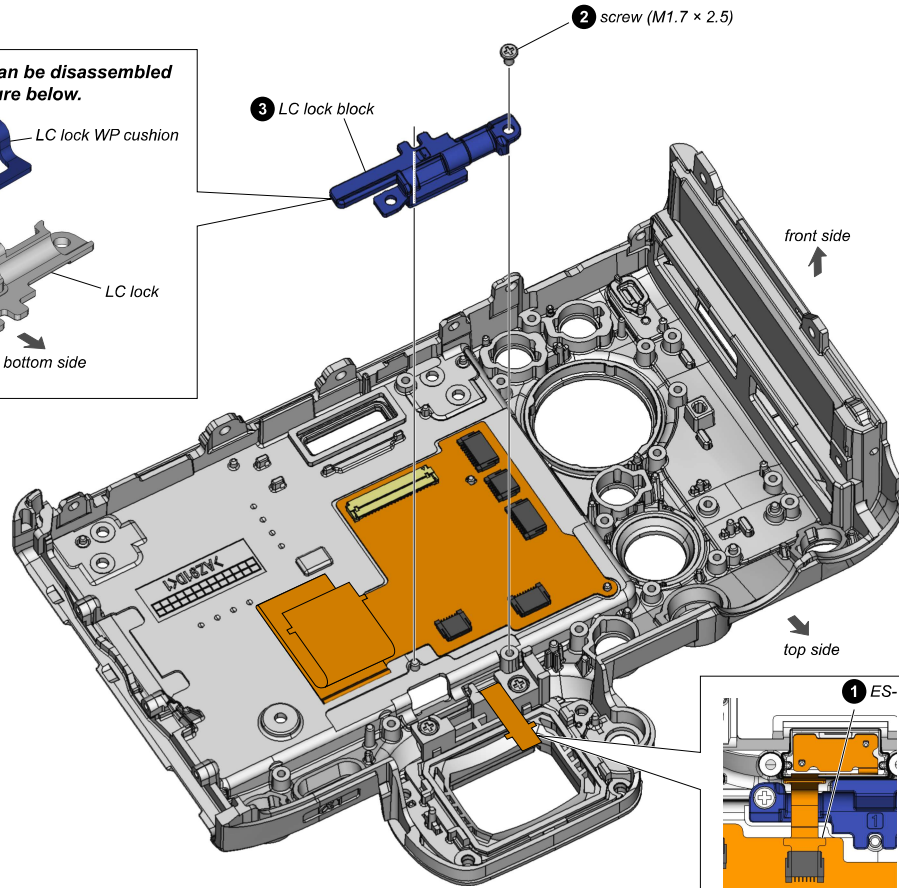
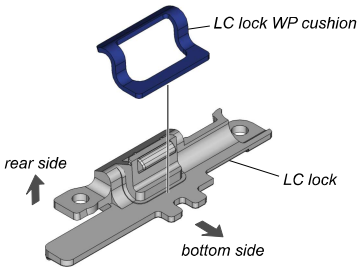


18. AEL/AF/C3/MENU/REC BUTTON

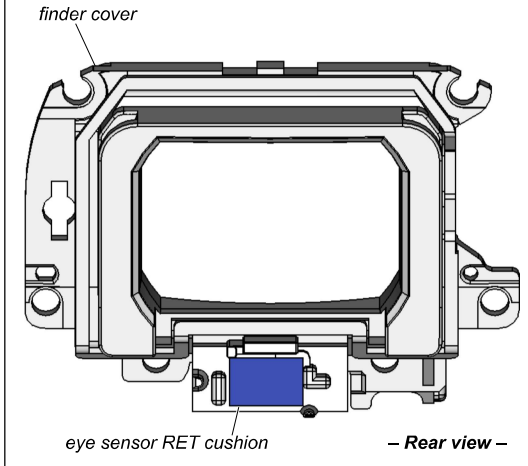


19. LC LOCK BLOCK

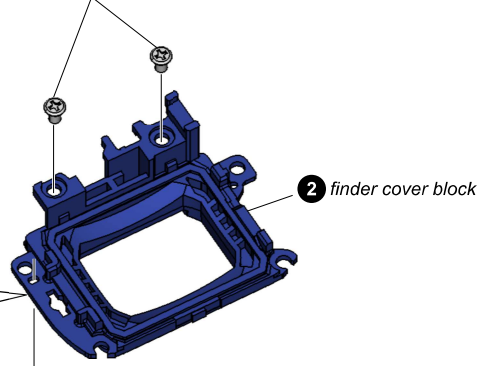
• The LC lock block can be disassembled as shown in the figure below.



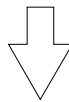
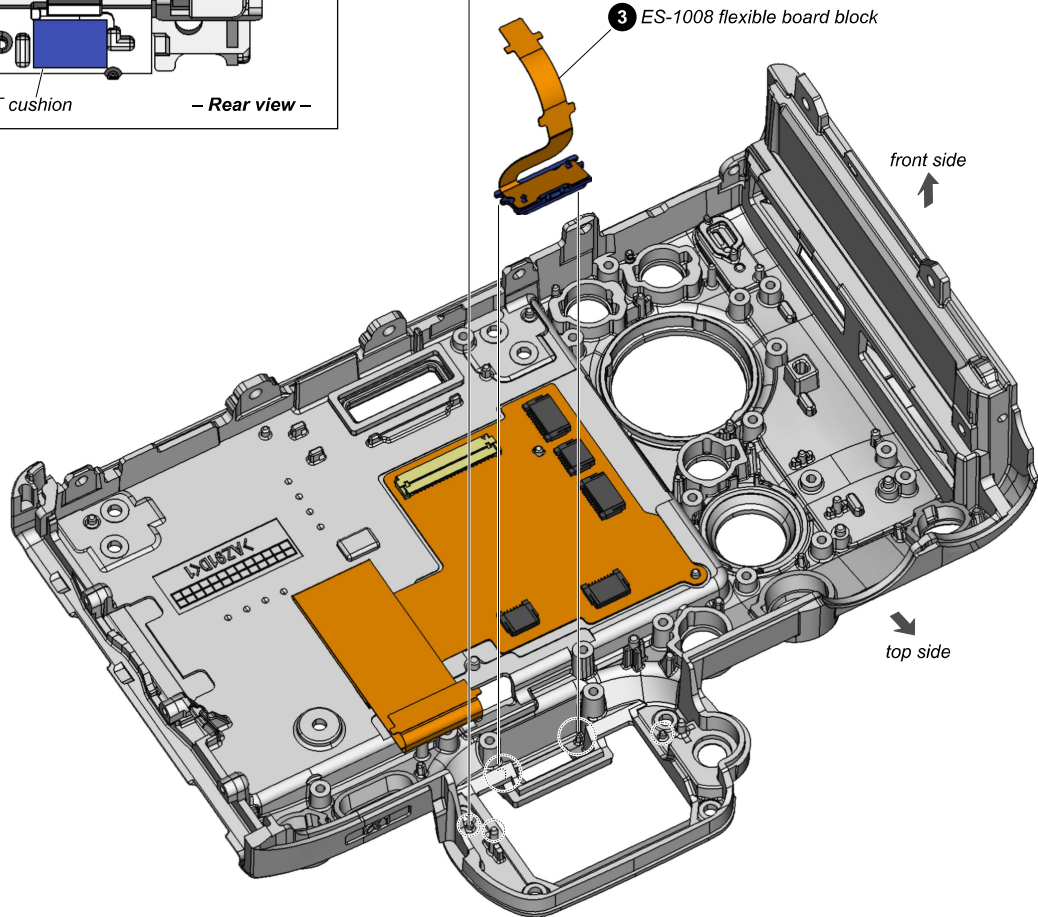
• The finder cover block can be disassembled as shown in the figure below.



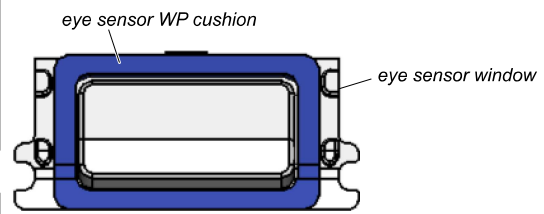
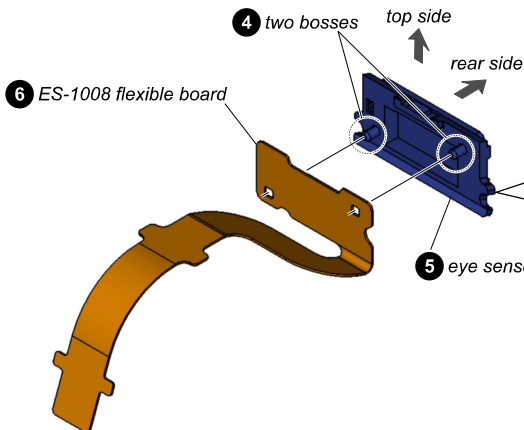
1 two screws (M1.7 × 2.5)



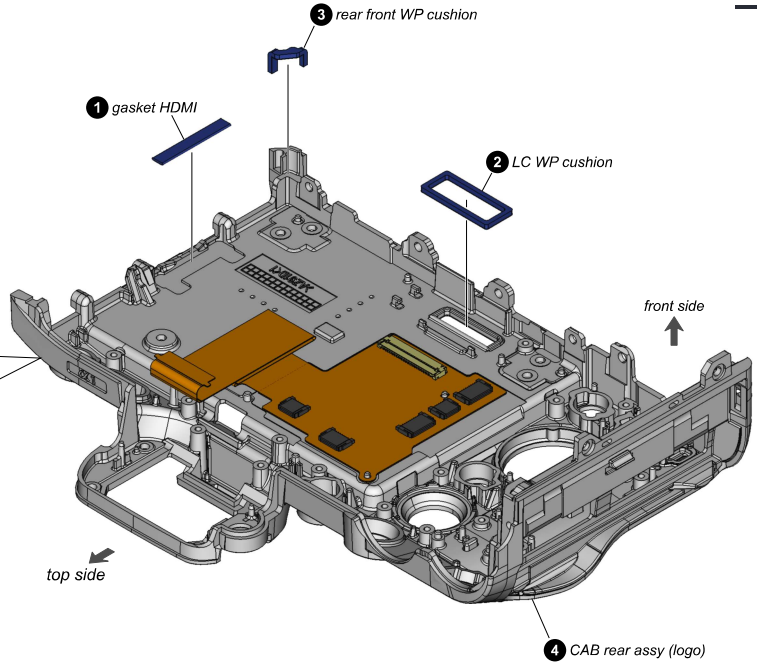
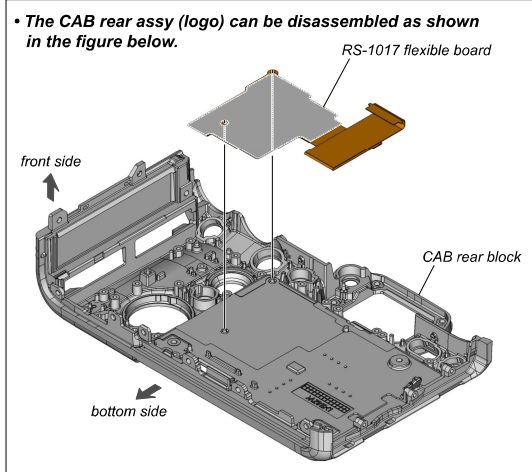
3 ES-1008 flexible board block



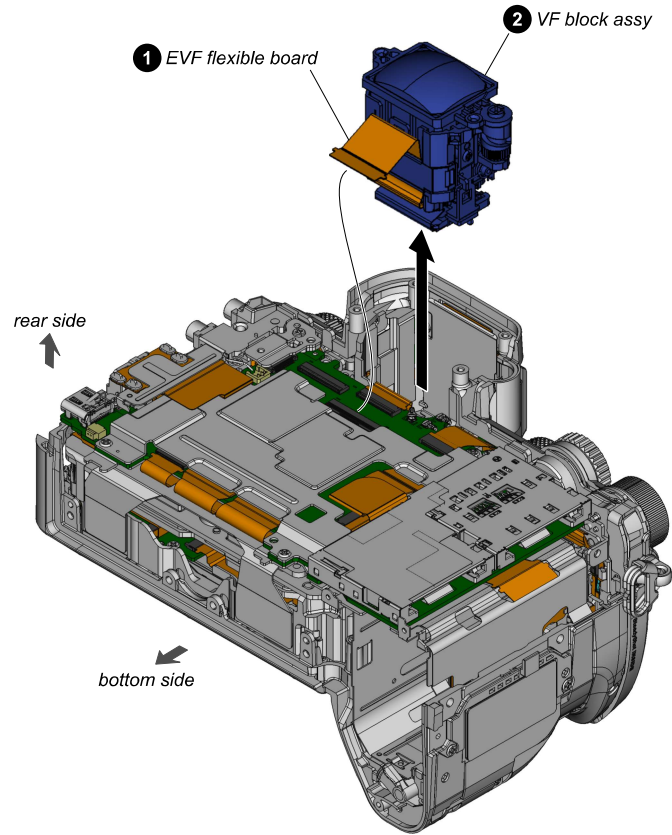
• The eye sensor window block can be disassembled as shown in the figure below.



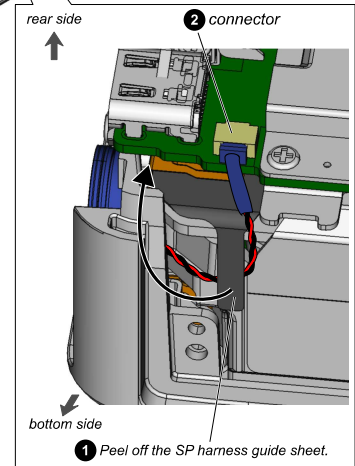
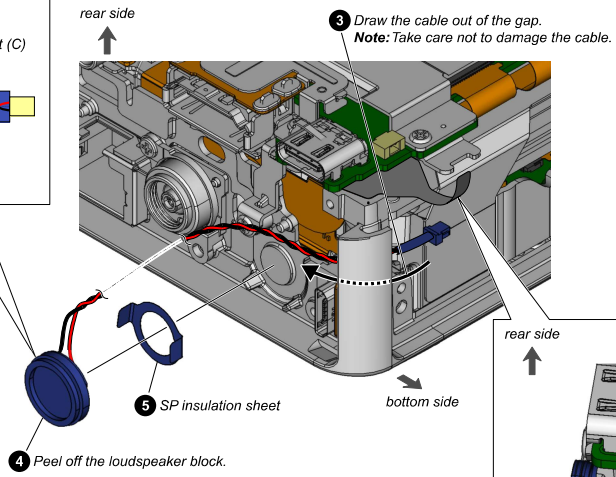
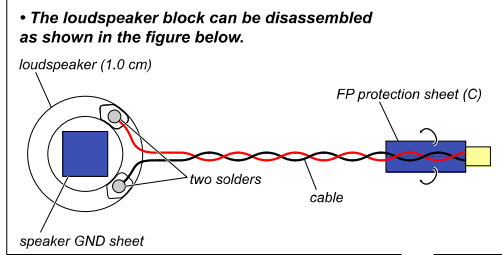
21. CAB REAR ASSY (LOGO)

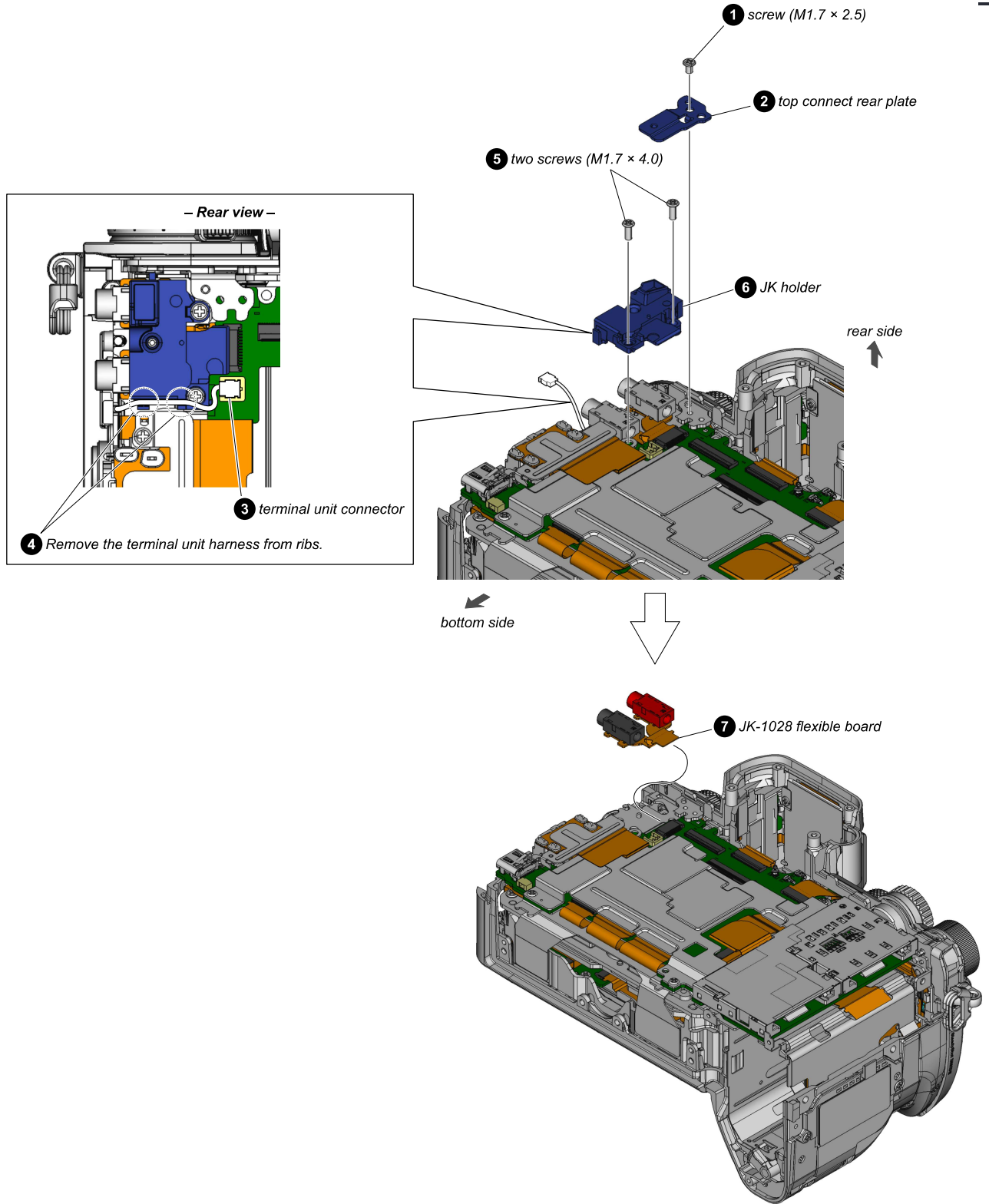


22. VF BLOCK ASSY (Not Supplied)

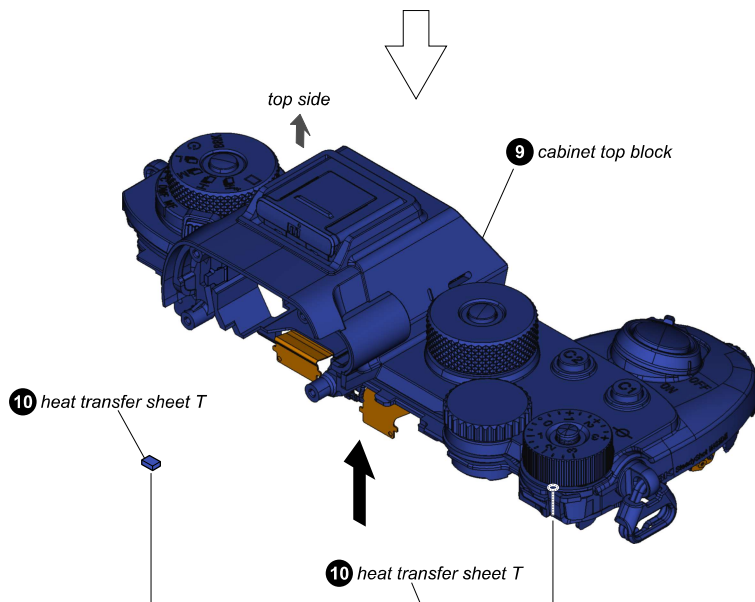
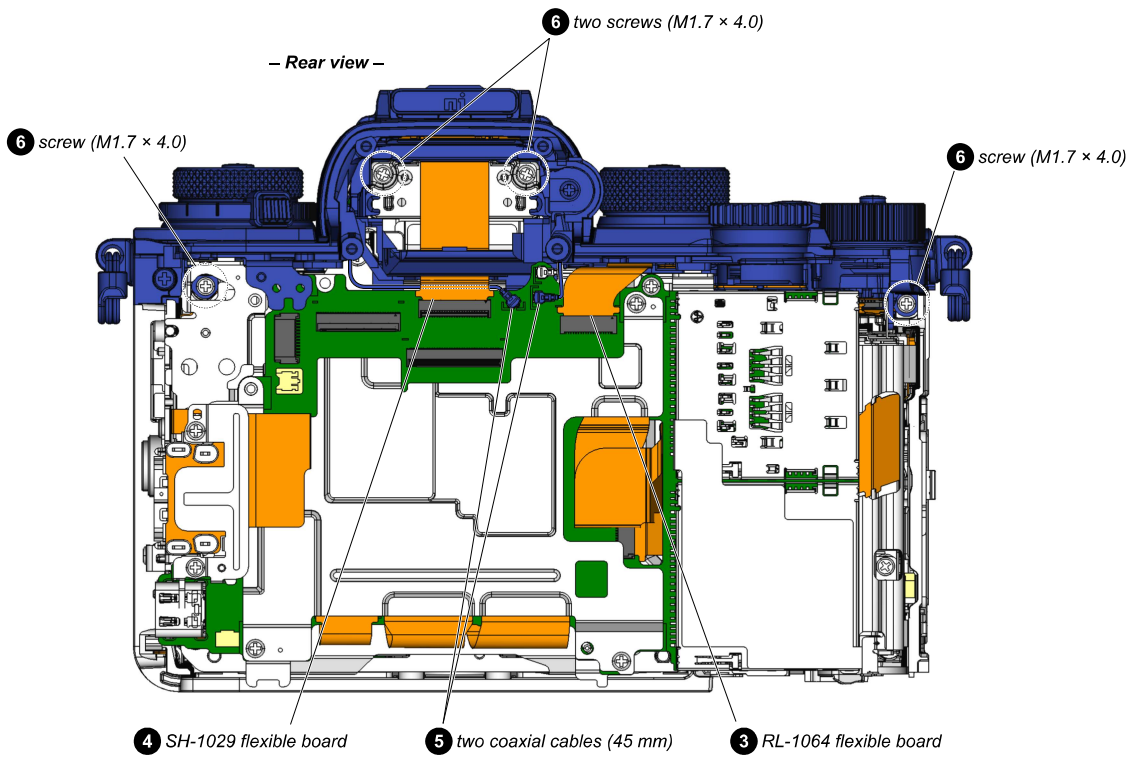
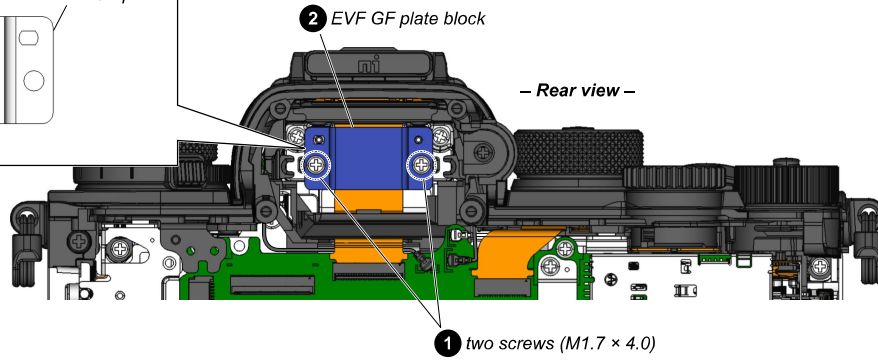
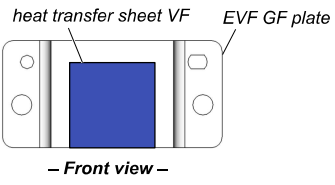


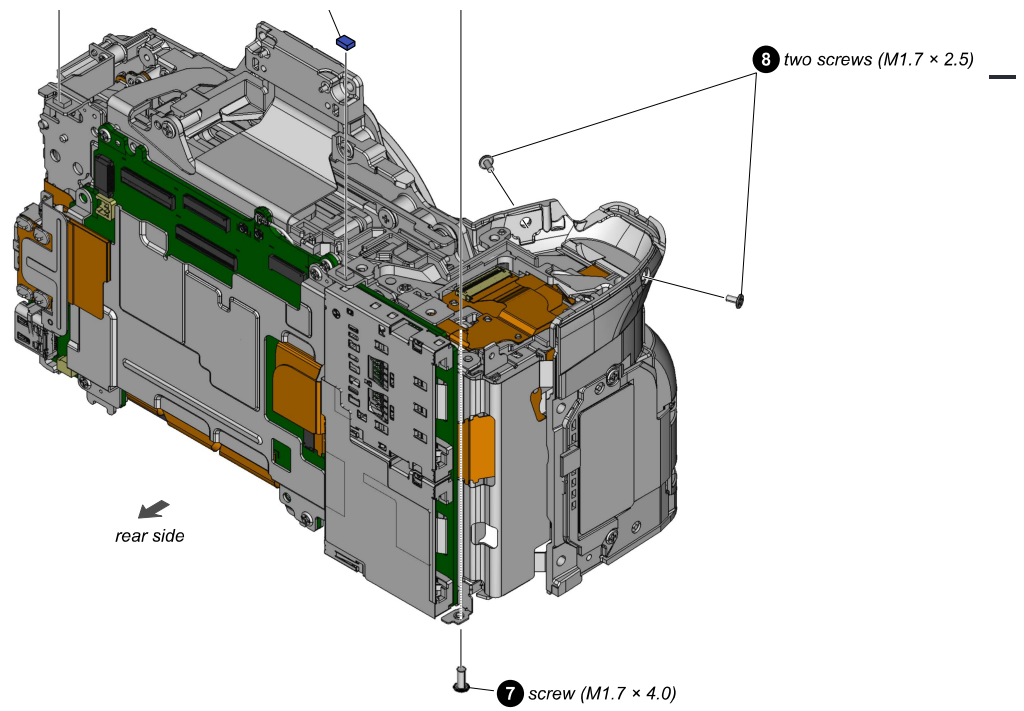
23. LOUDSPEAKER BLOCK



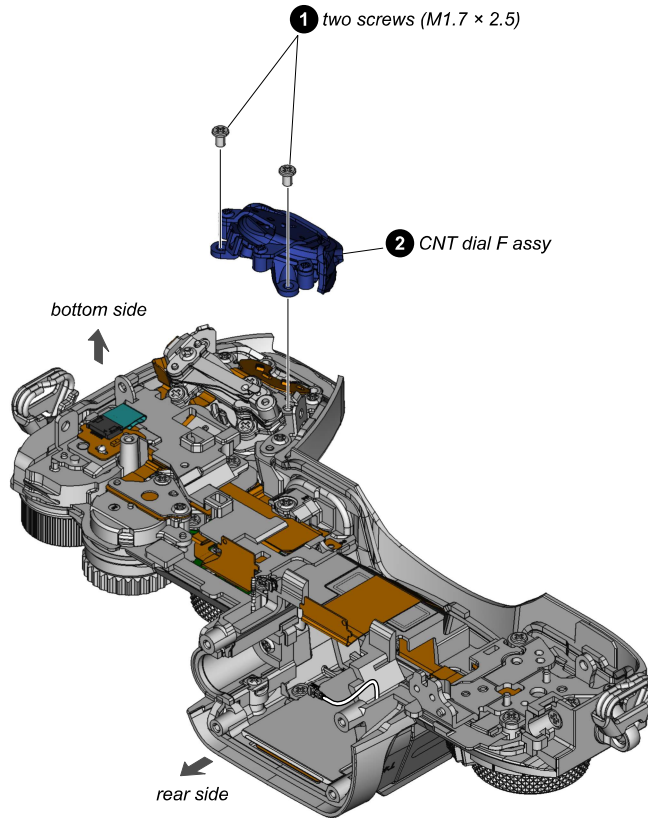


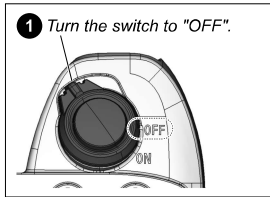
• The EVF GF plate block can be disassembled as shown in the figure below.





26. CNT DIAL F ASSY

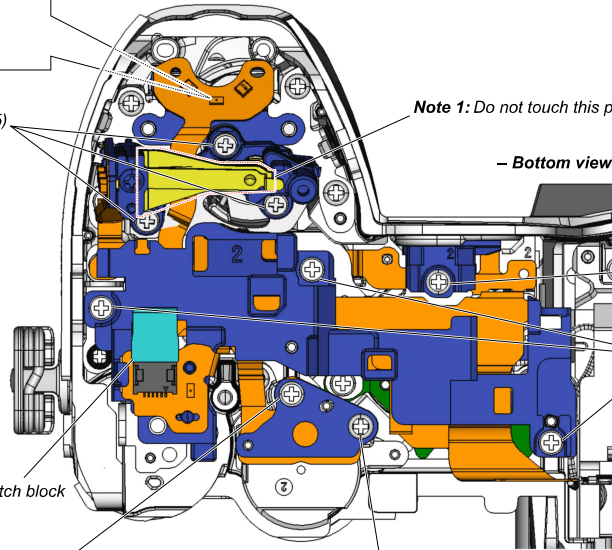




6 three screws (M1.7 × 2.5)

Note 1: Do not touch this part.

– Bottom view –



3 screw (M1.7 × 3.0)

7 three screws (M1.7 × 2.5)

2 Disconnect the control switch block (EV88100) flexible board.

rear side

4 screw (M1.7 × 4.0)

5 tapping screw (1.7 × 4.0)

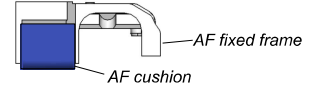


Note 1: Do not touch this part.

10 Lift up the RL-1064 flexible board.
Note 2: Take care not to damage the flexible board.

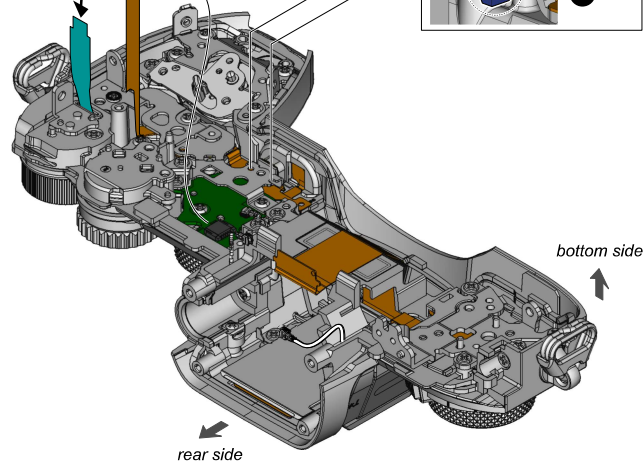
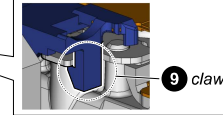
8 AF fixed frame block

• The AF fixed frame block can be disassembled as shown in the figure below.



11 Draw the flexible board out of the hole.
Note 2: Take care not to damage the flexible board.

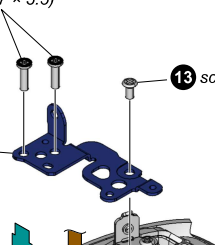
12 Disconnect the RL-1064 flexible board.

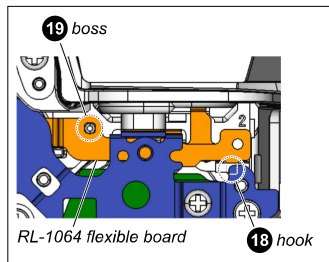
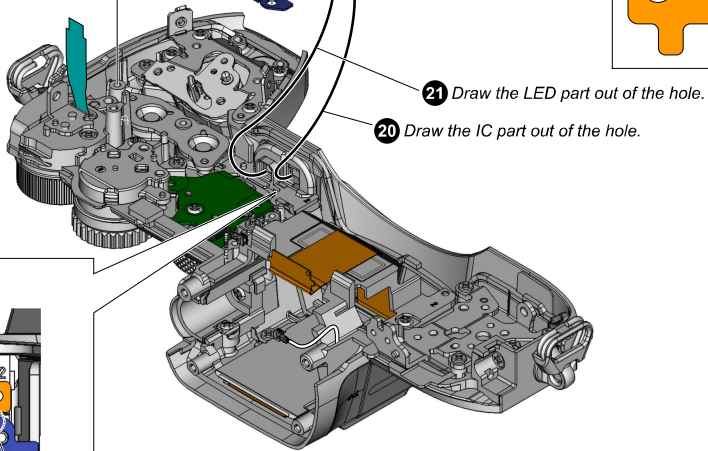
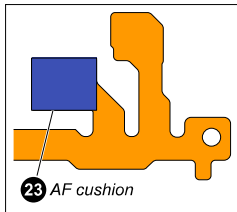
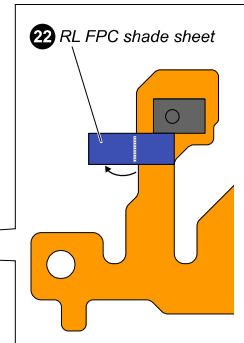
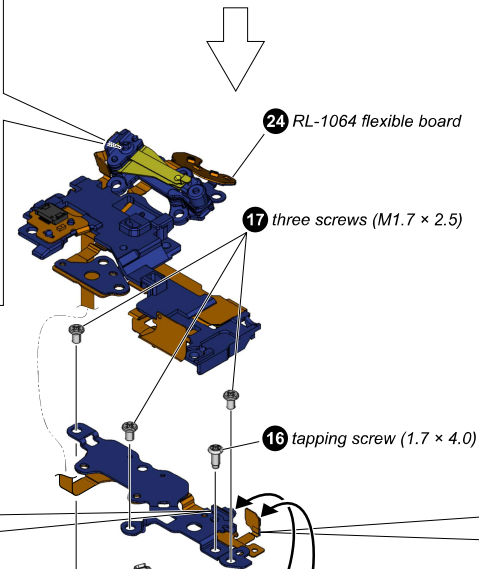
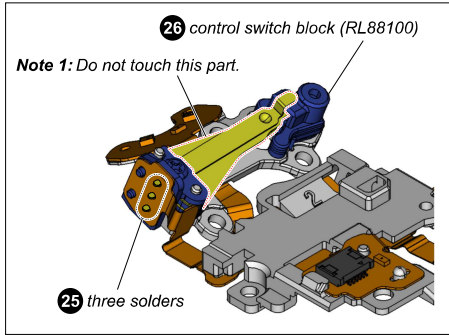
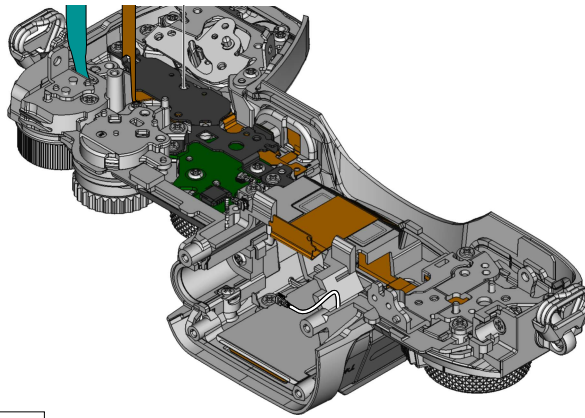


14 two screws (M1.7 × 5.5)

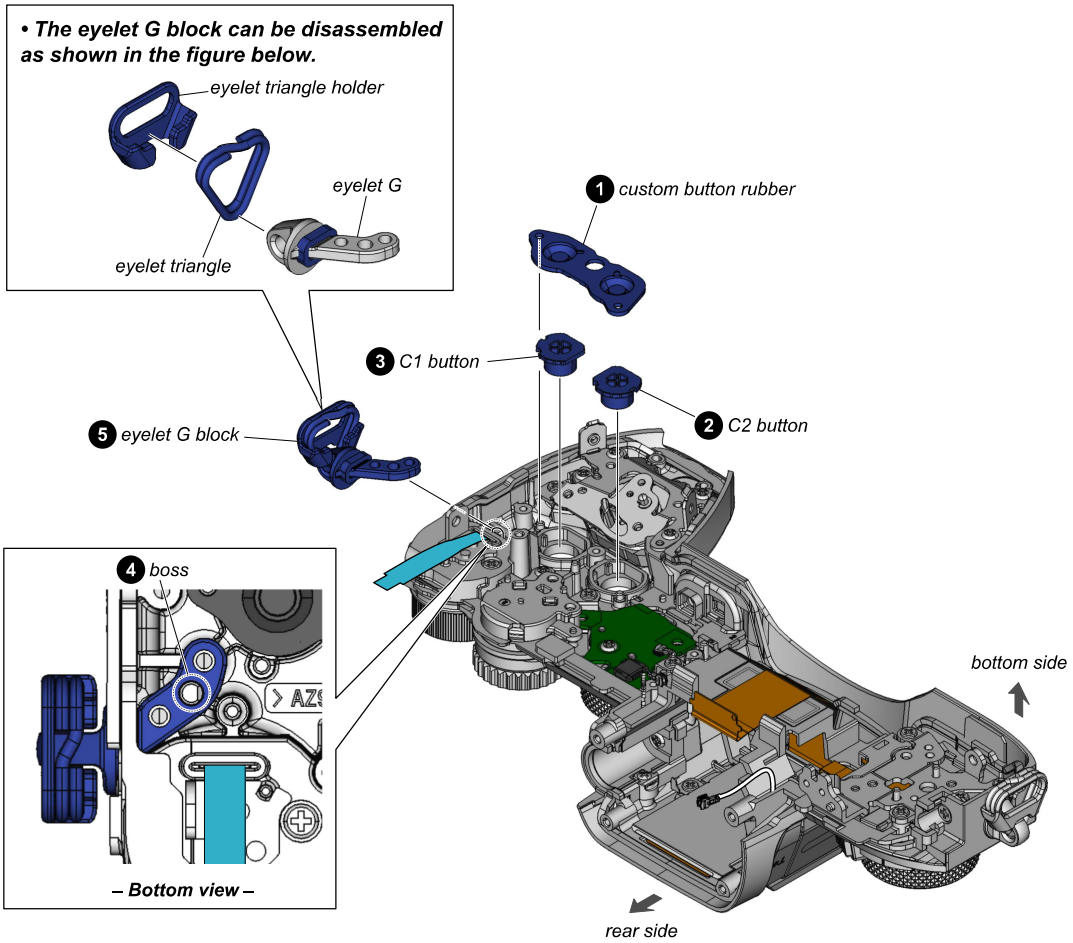
13 screws (M1.7 × 3.0)

15 eyelet plate G

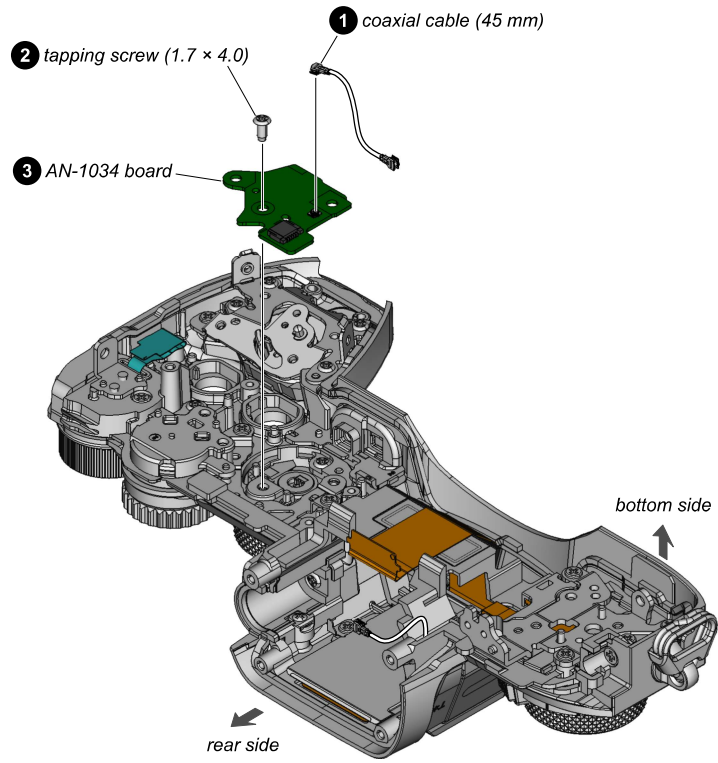




28. C1/C2 BUTTON, EYELET G

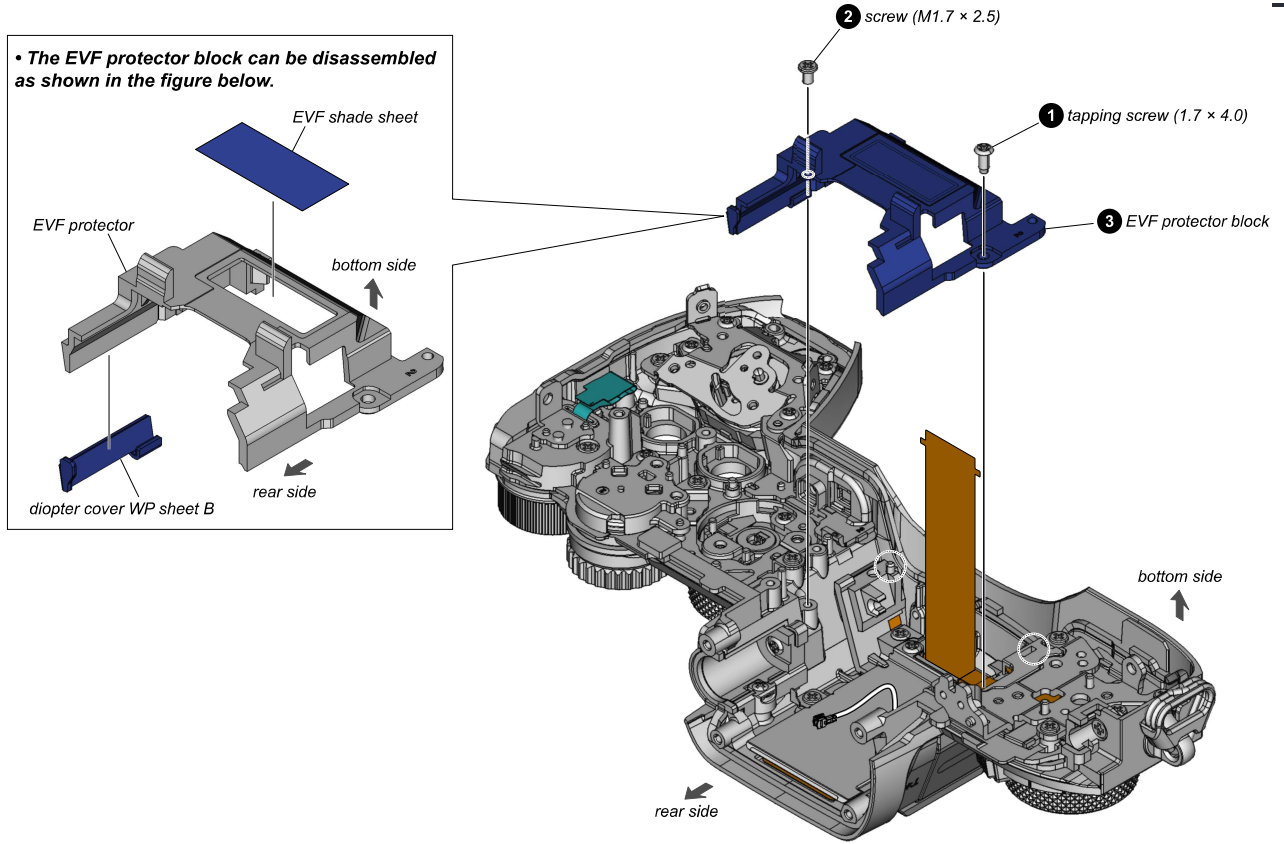


29. AN-1034 BOARD

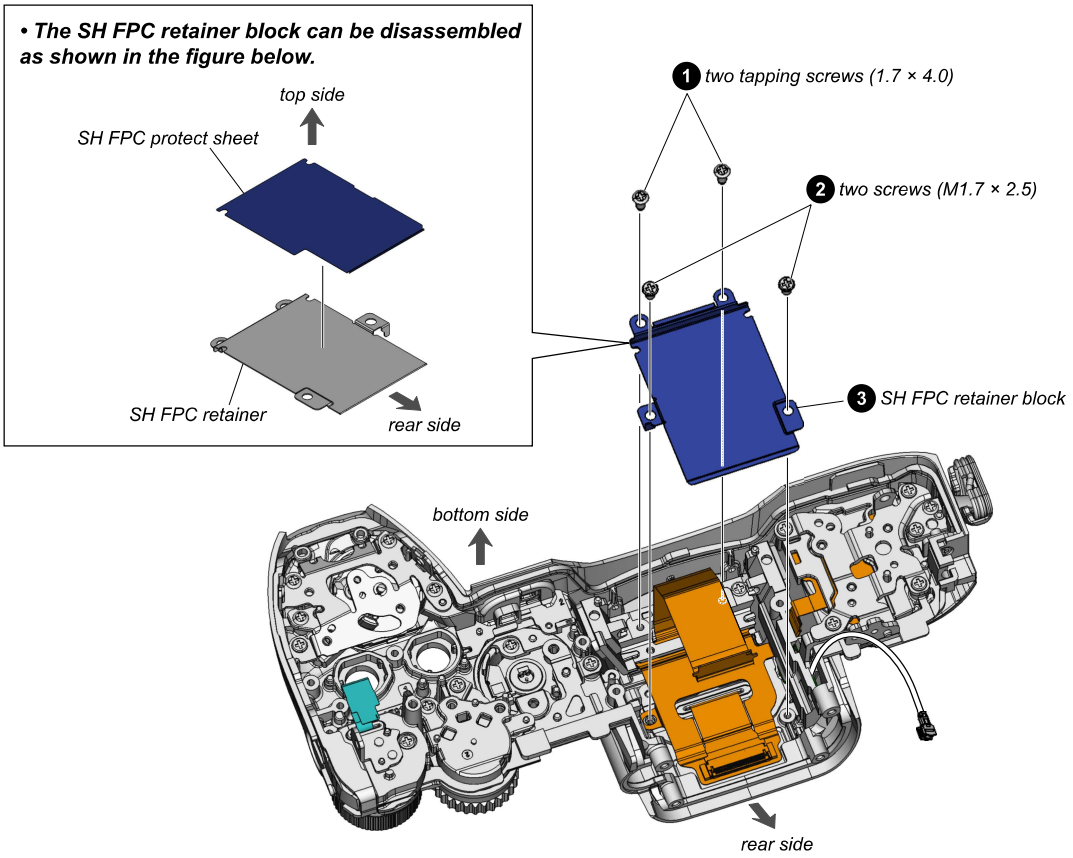


30. EVF PROTECTOR BLOCK

• The EVF protector block can be disassembled as shown in the figure below.

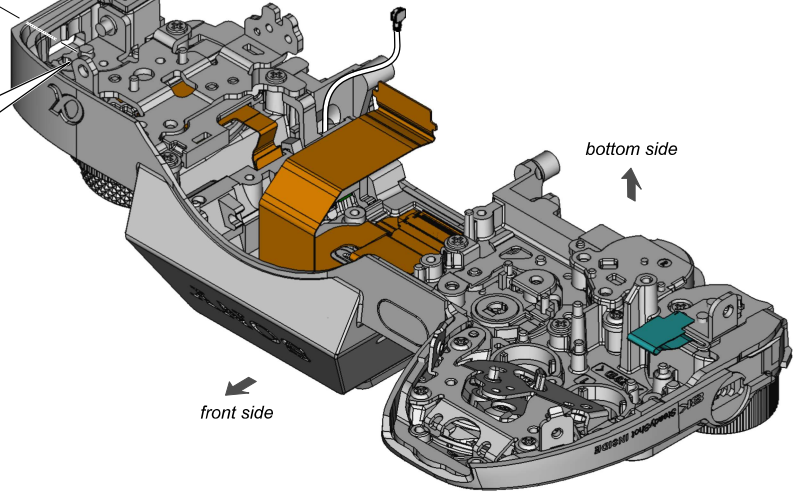
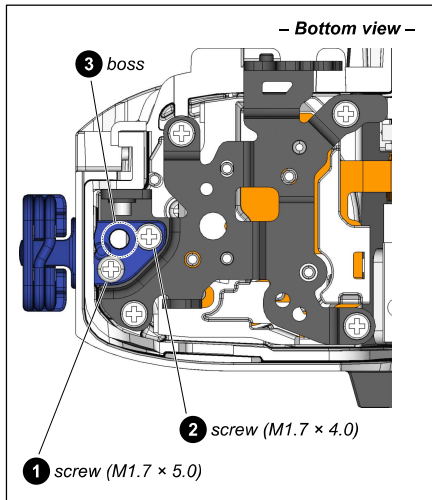
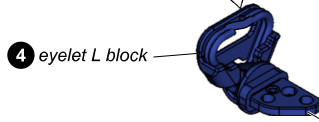
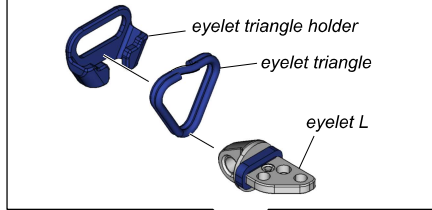


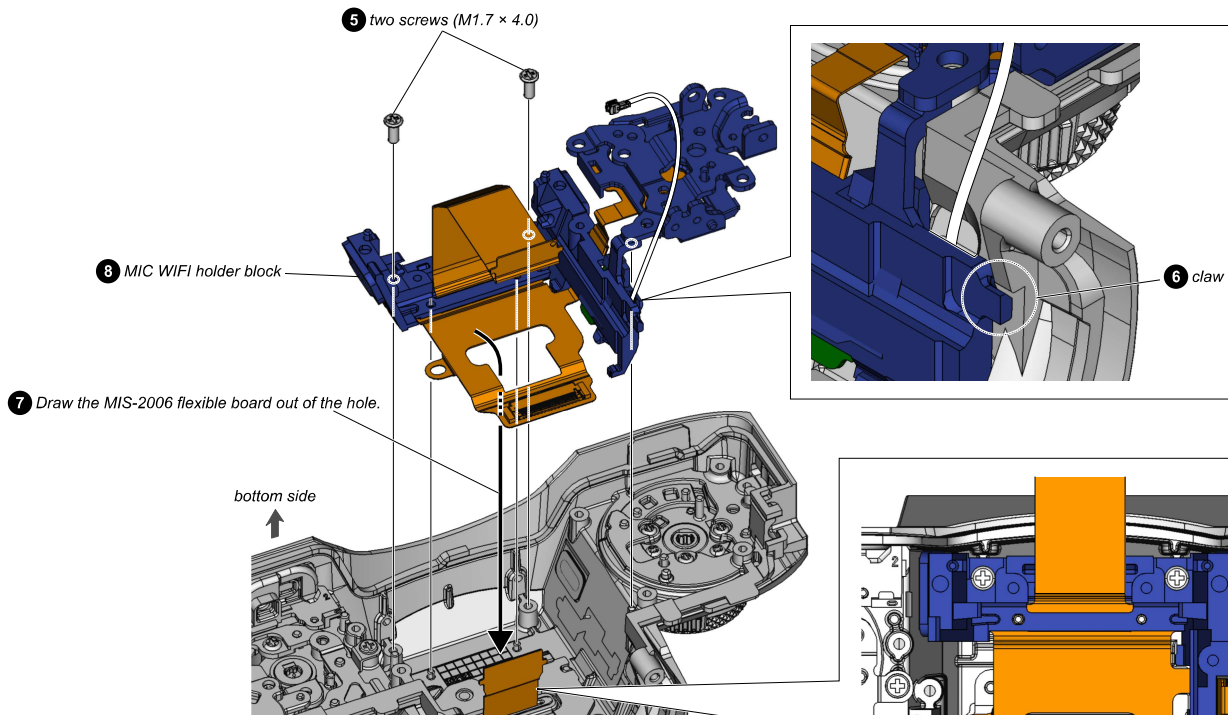
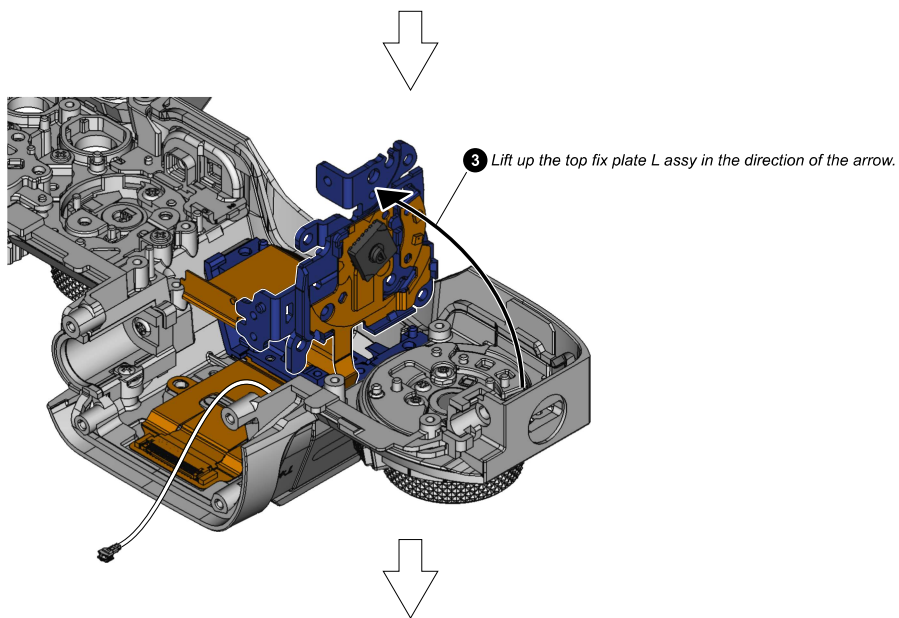
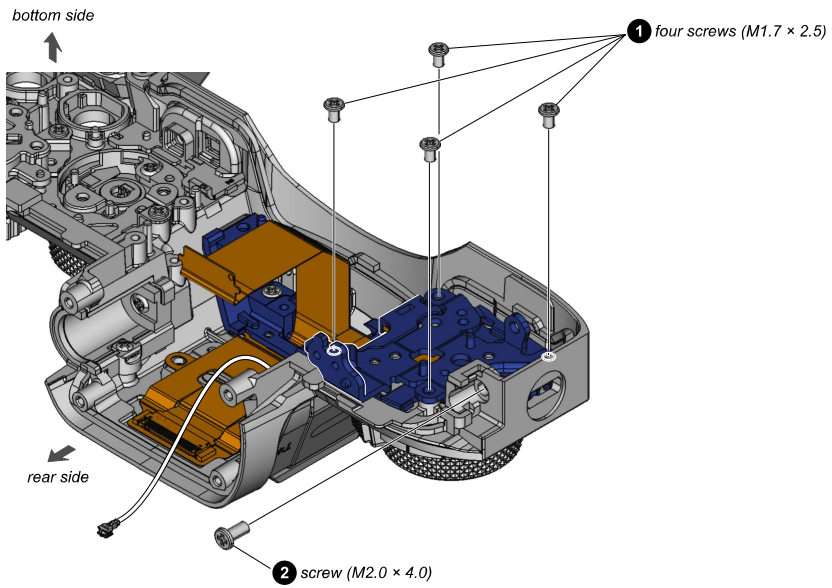
31. SH FPC RETAINER BLOCK

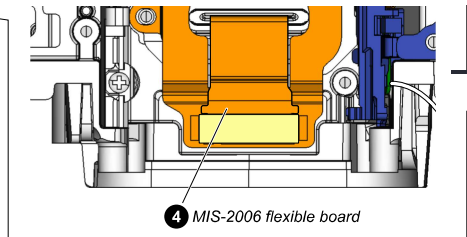
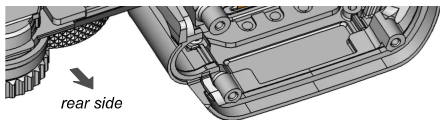


32. EYELET L BLOCK

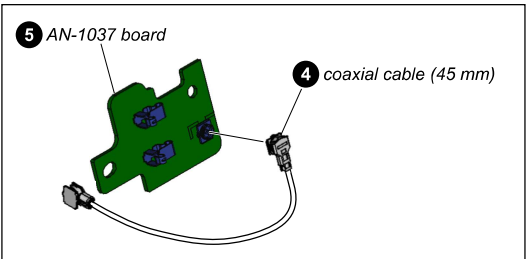
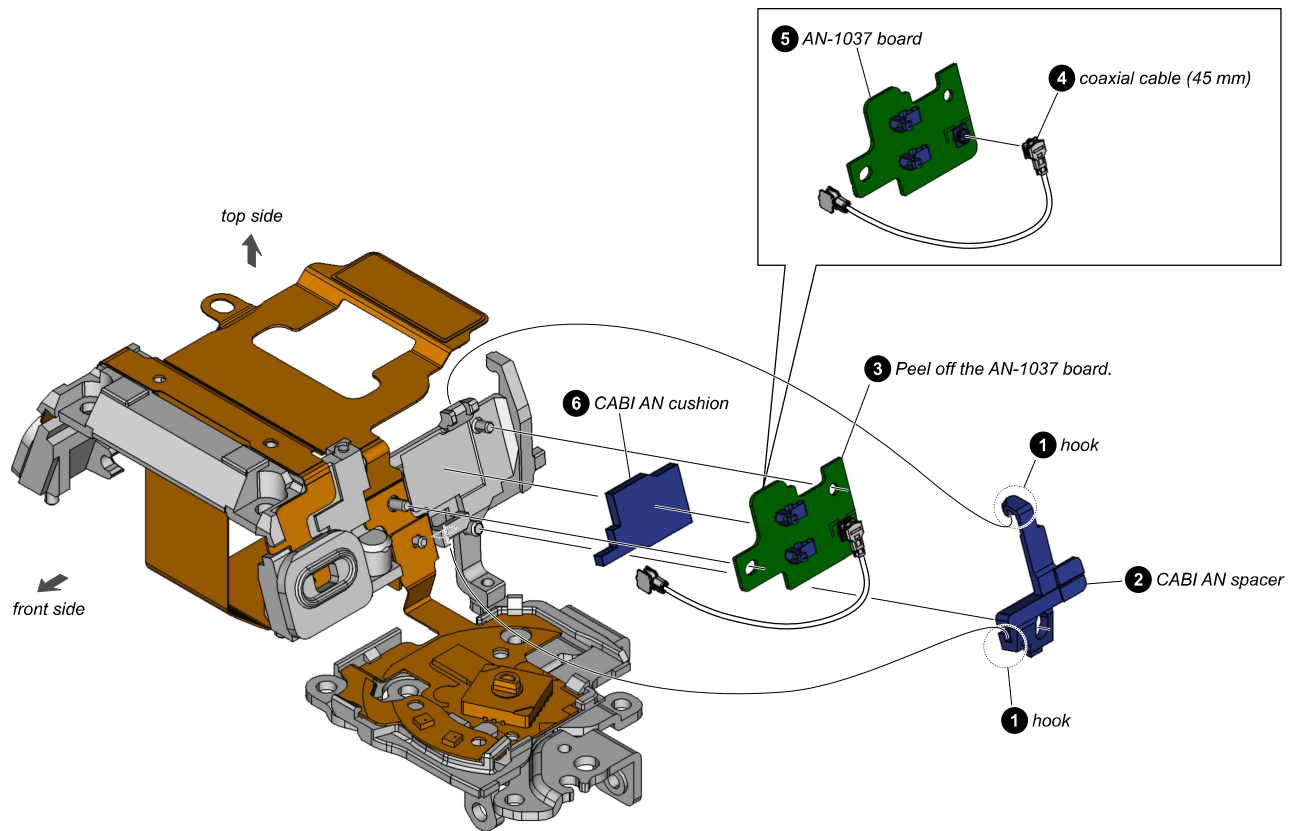
• The eyelet L block can be disassembled as shown in the figure below.

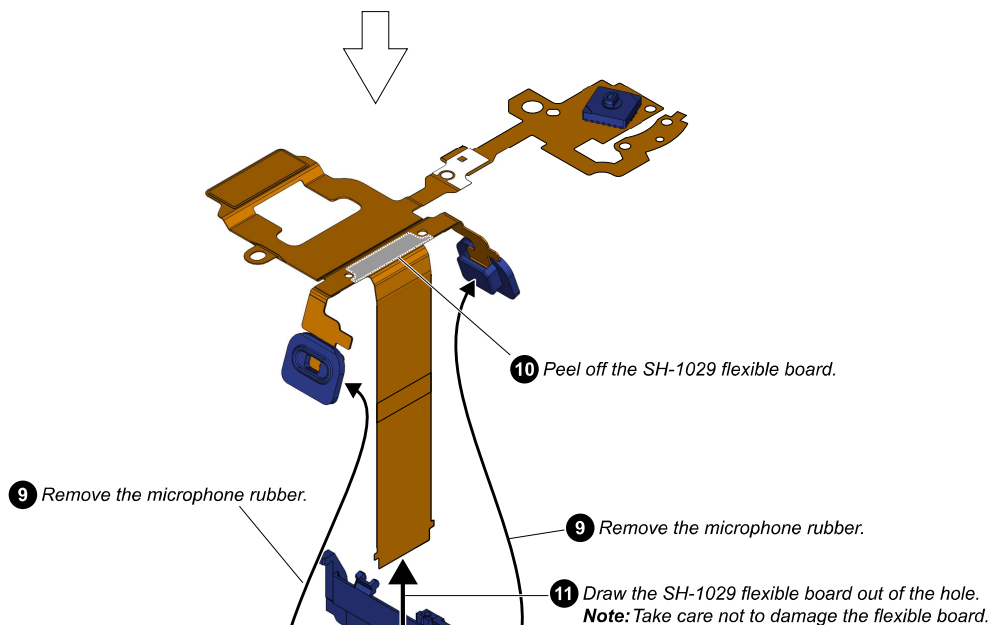
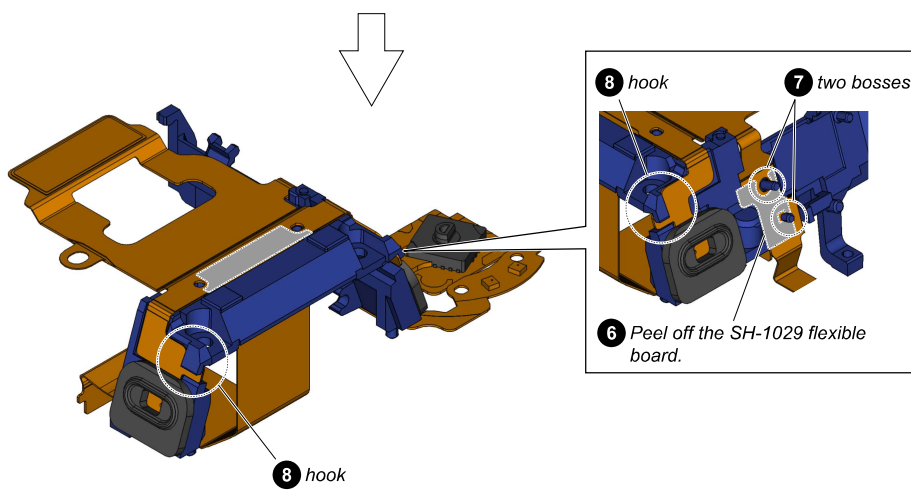
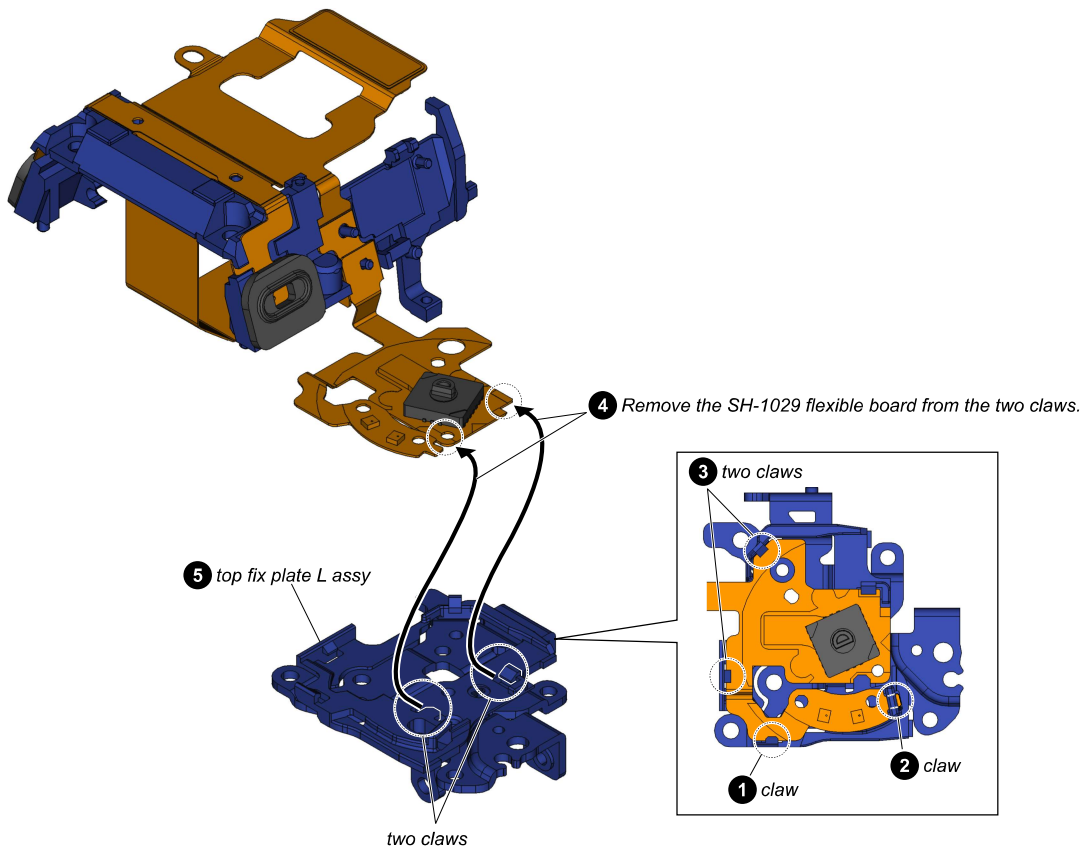


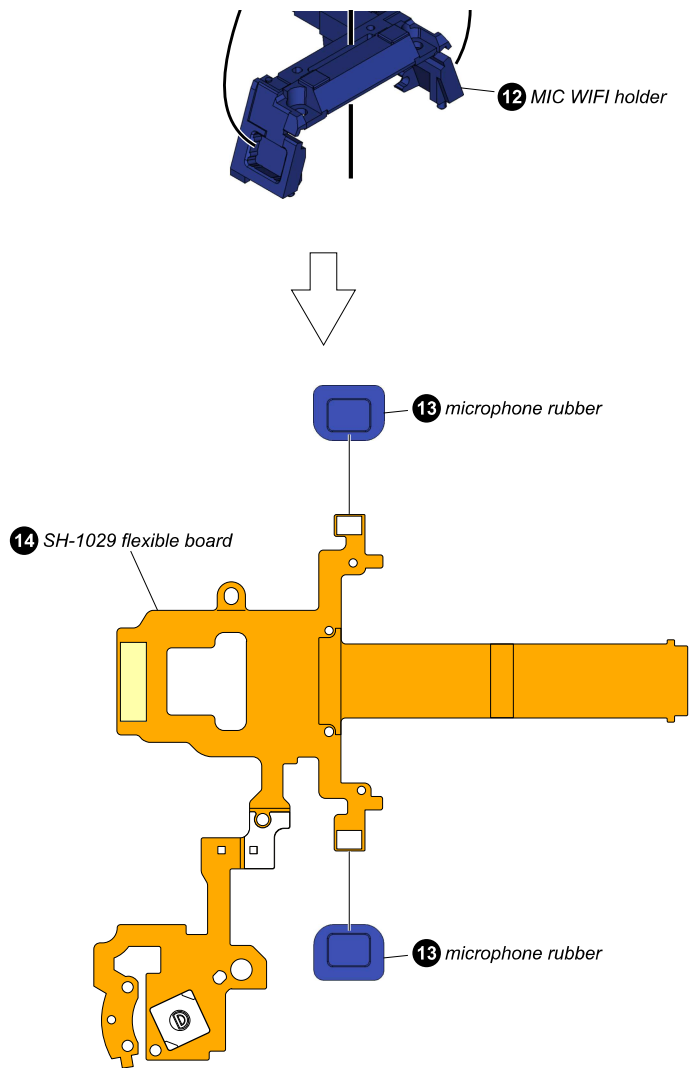




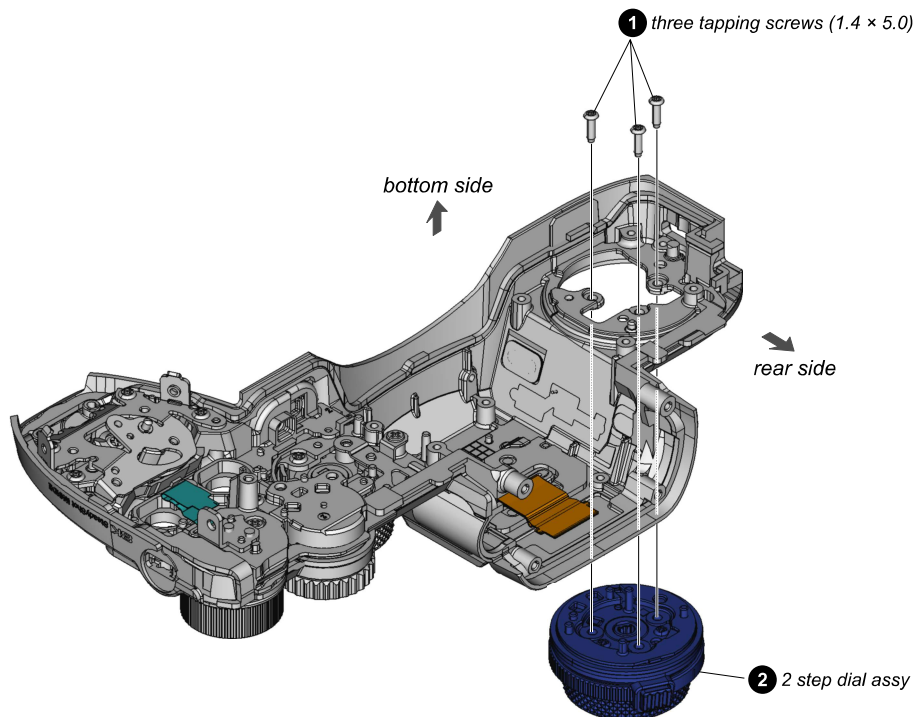
34. AN-1037 BOARD



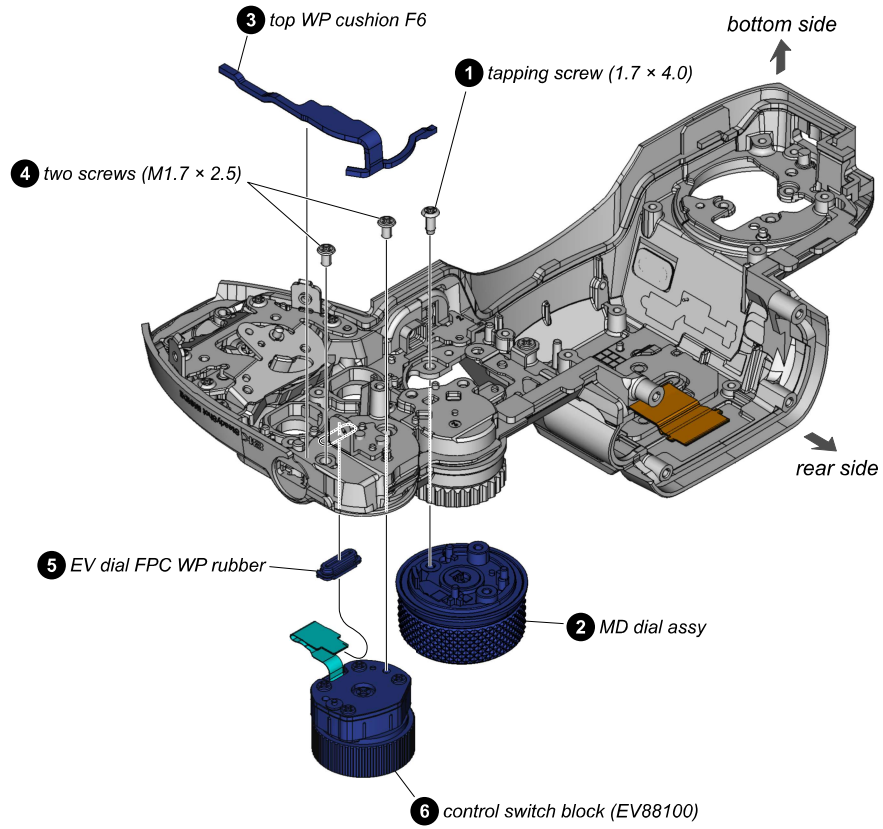




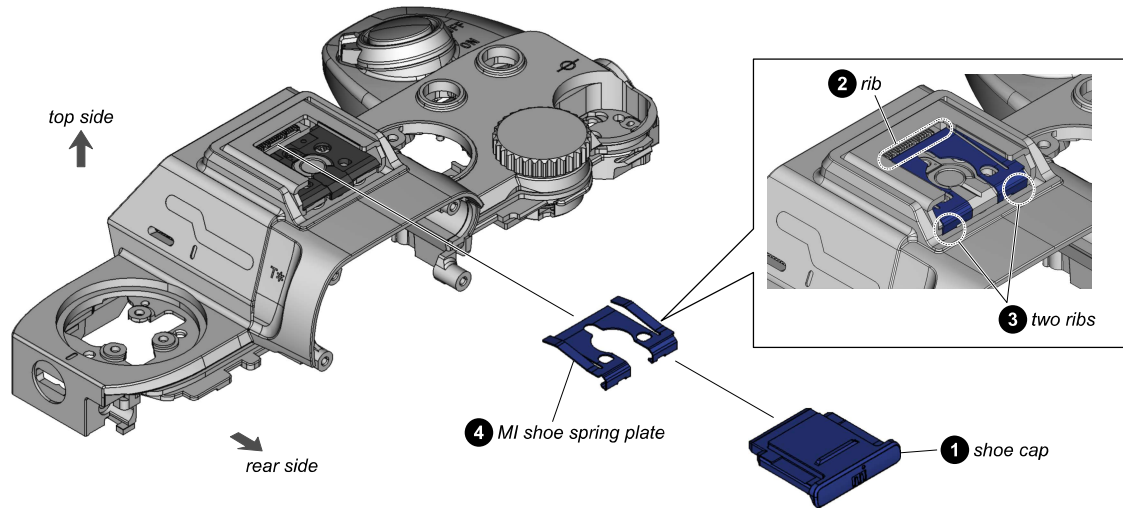
36. 2 STEP DIAL ASSY



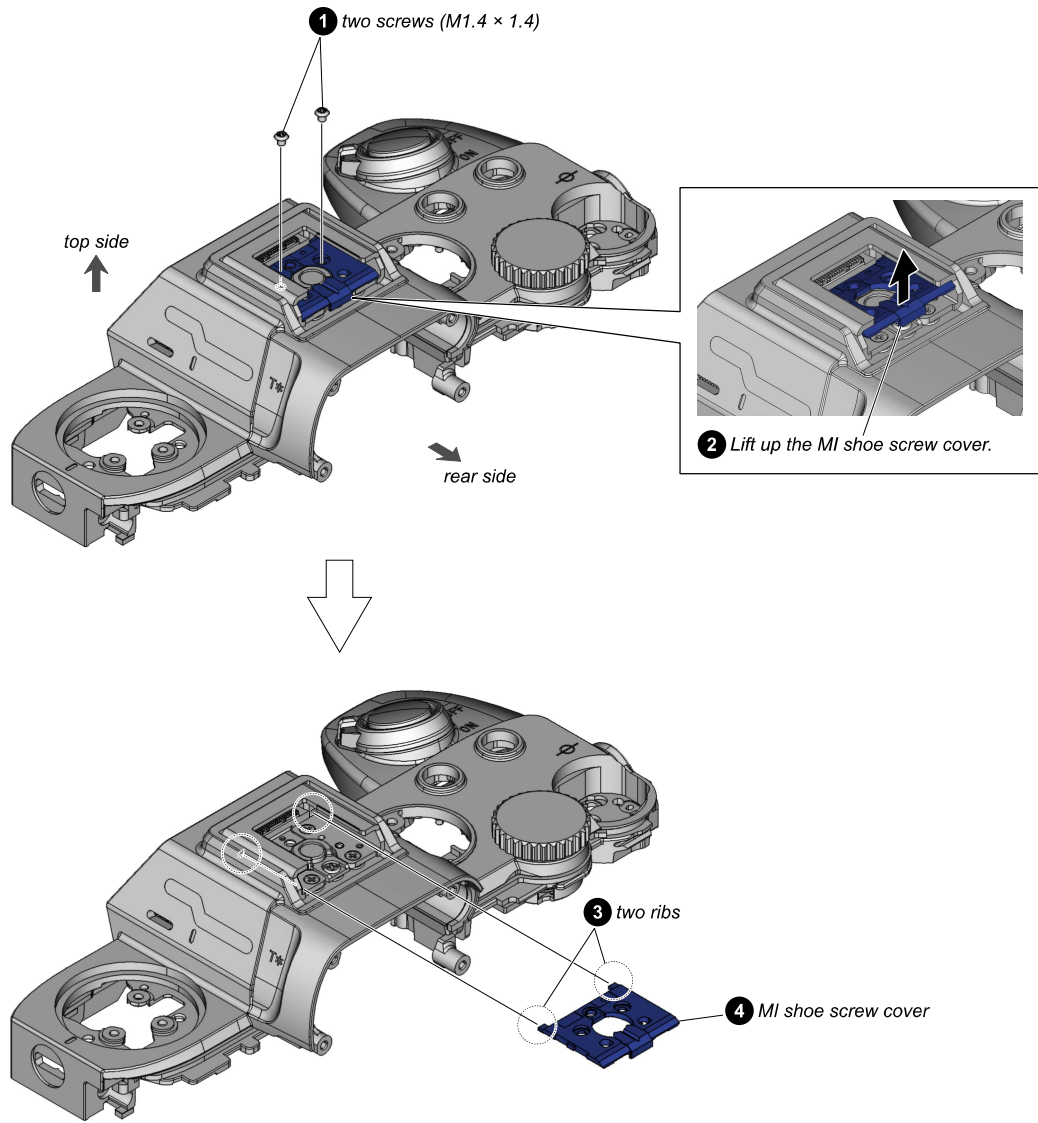
37. MD DIAL ASSY, CONTROL SWITCH BLOCK (EV88100)



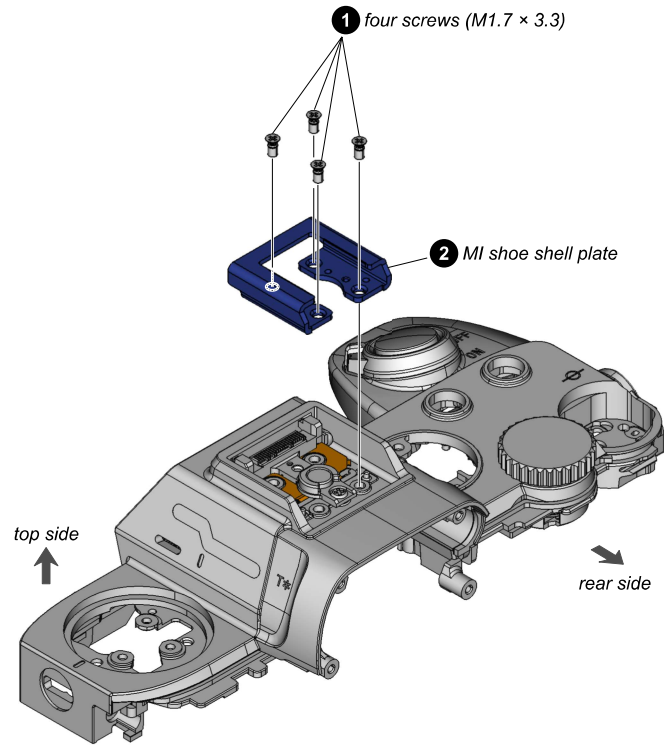
38. MI SHOE SPRING PLATE



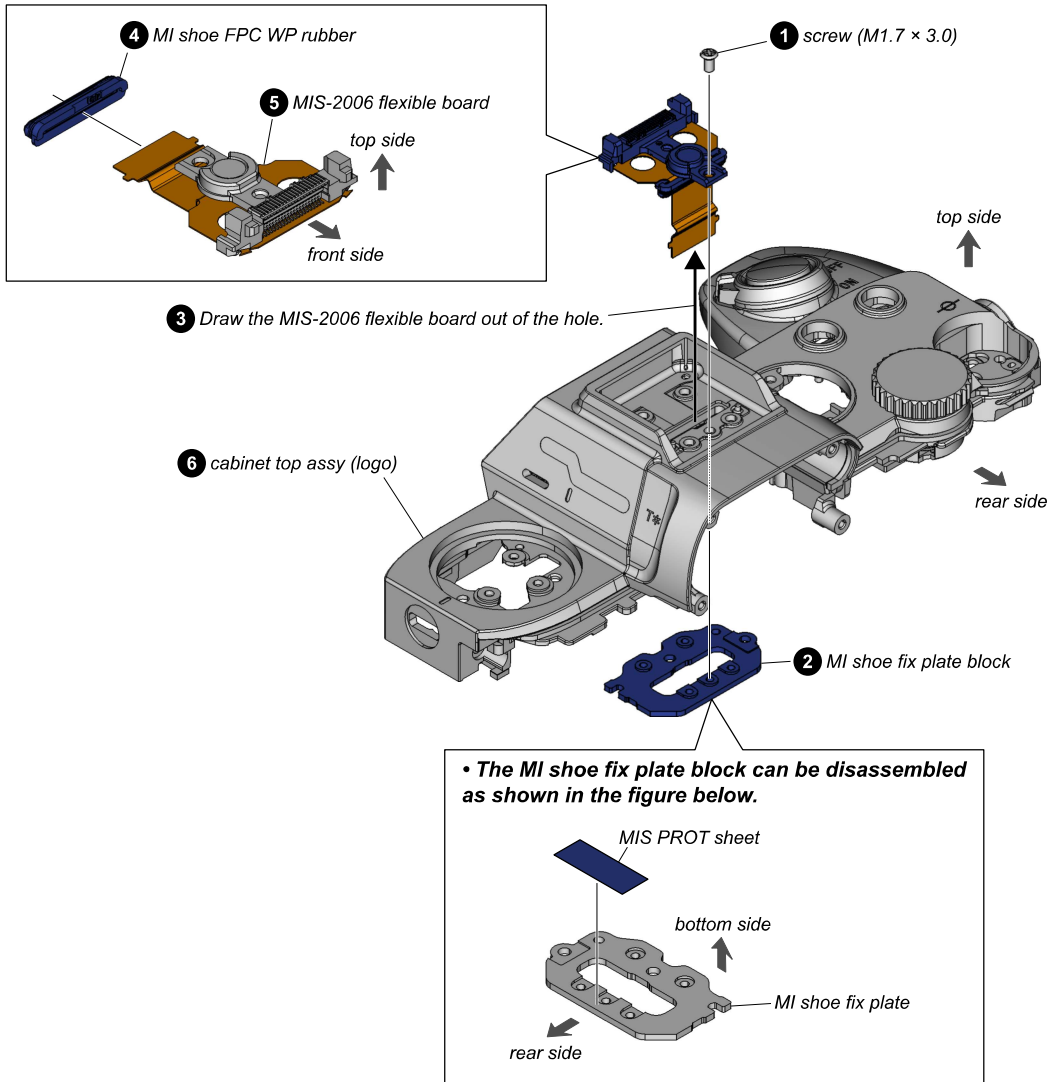
39. MI SHOE SCREW COVER

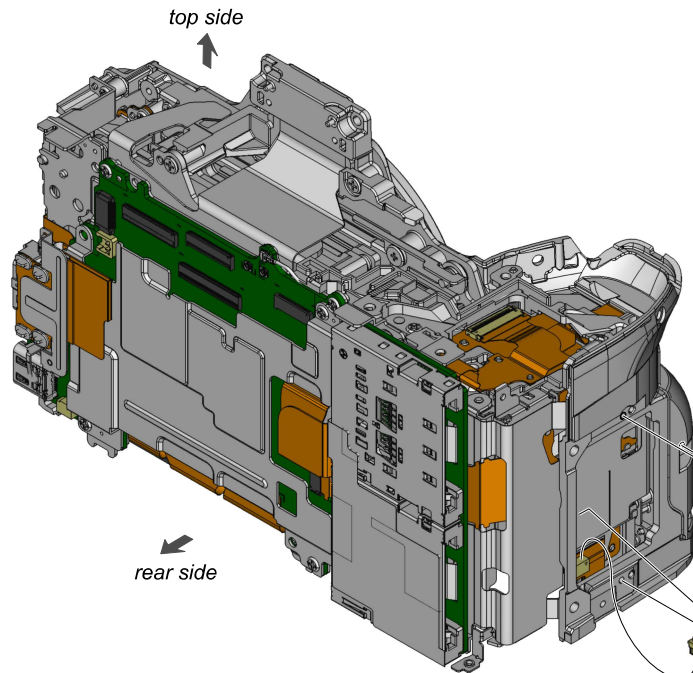


40. MI SHOE SHELL PLATE

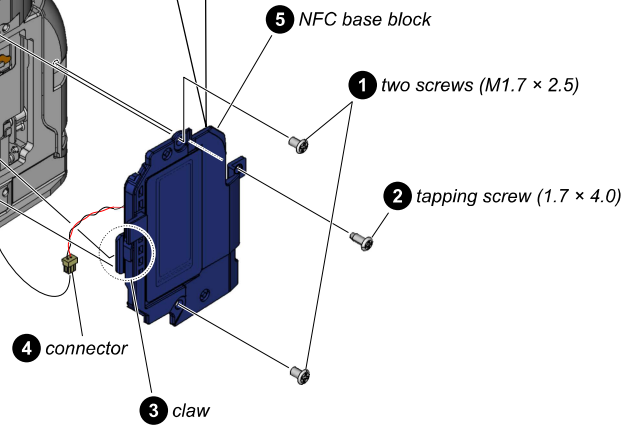
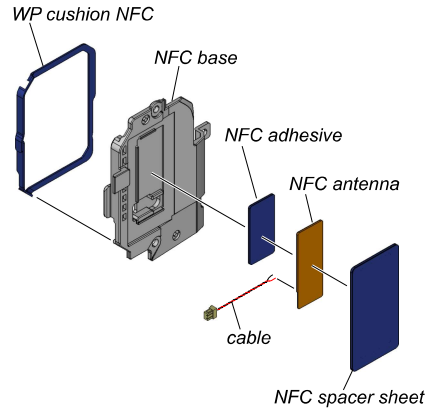


41. MIS-2006 FLEXIBLE BOARD, CABINET TOP ASSY (LOGO)

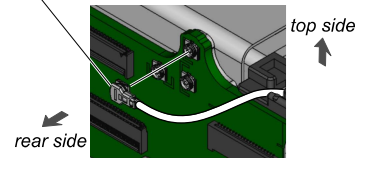




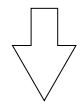
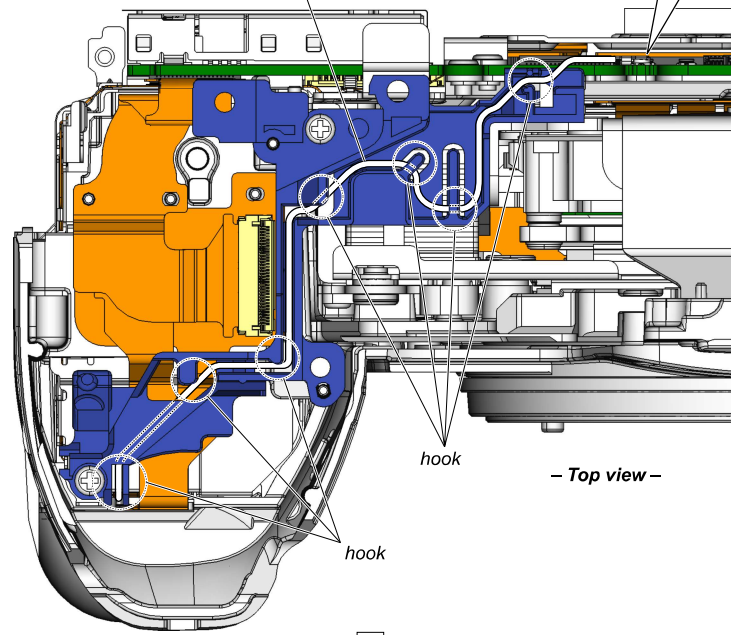
• The NFC base block can be disassembled as shown in the figure below.



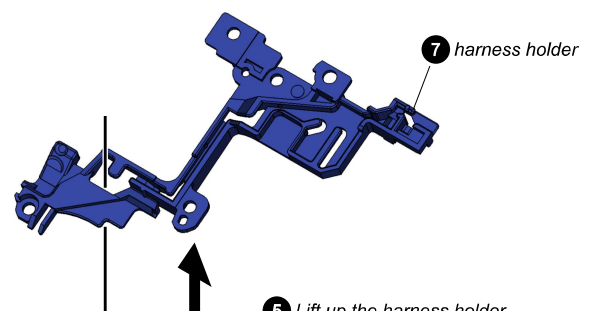
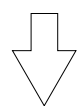
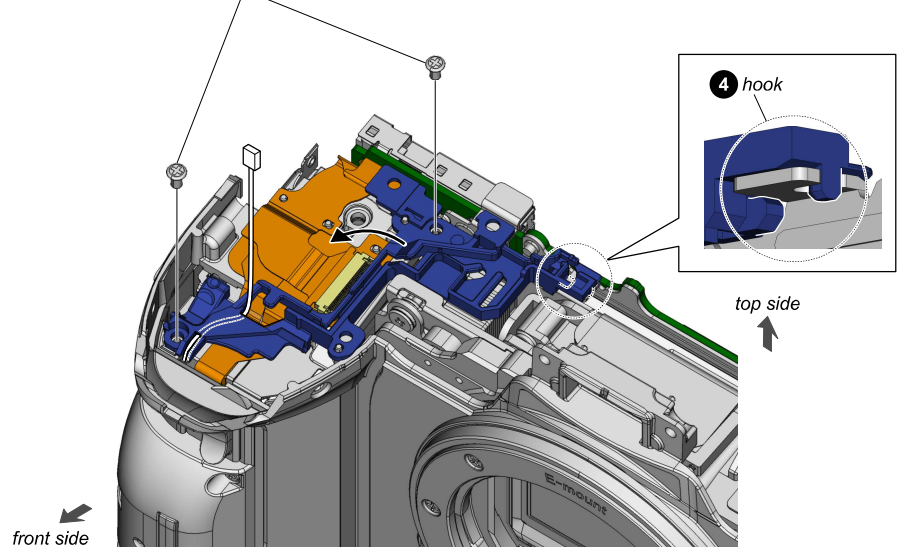
1 Disconnect the coaxial cable (110 mm) cable.



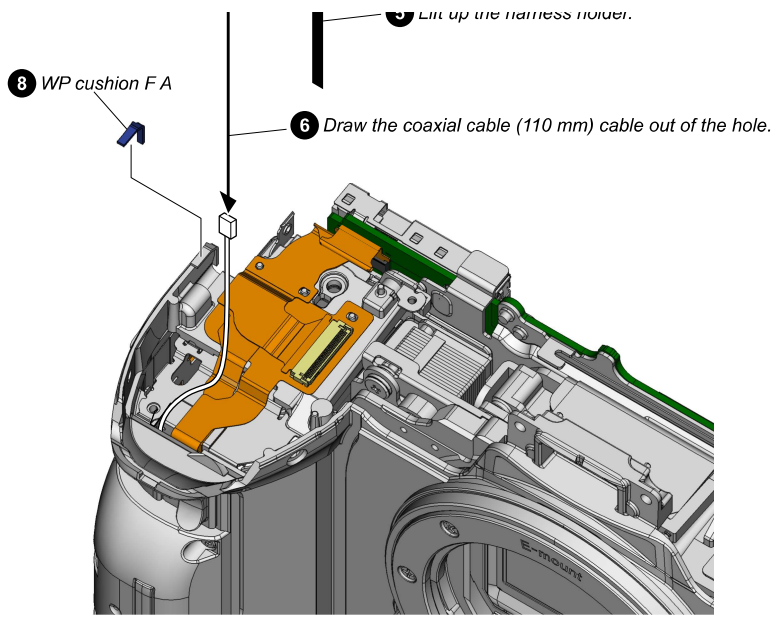
2 Remove the coaxial cable (110 mm) cable from the groove.



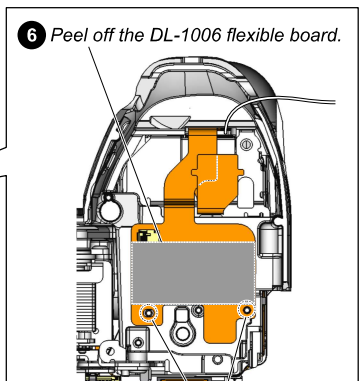
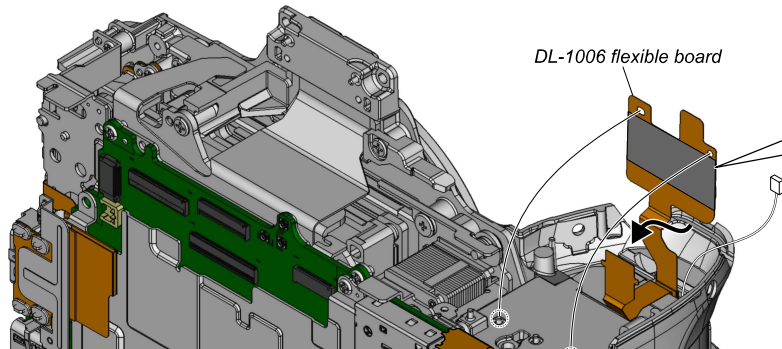
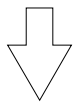
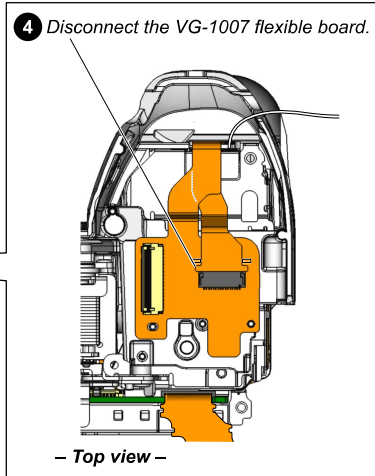
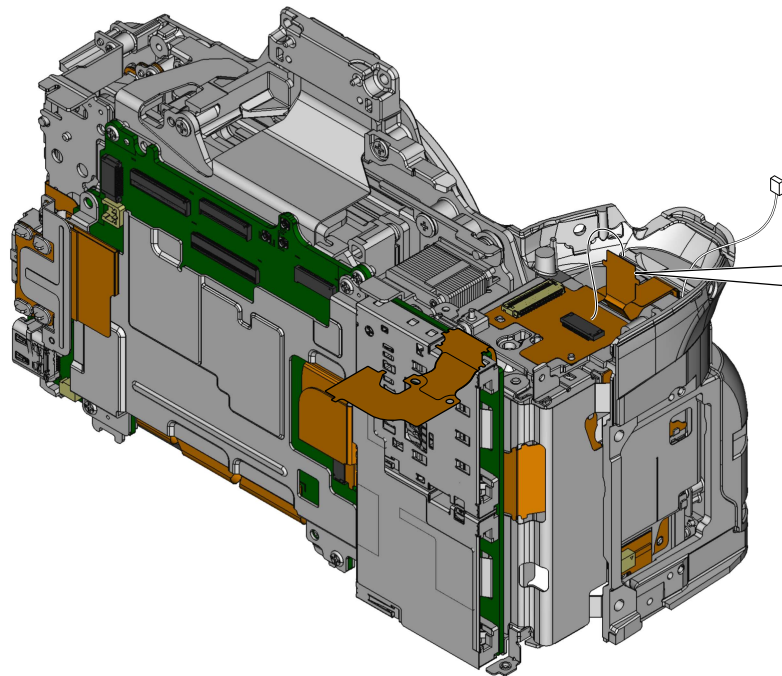
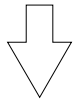
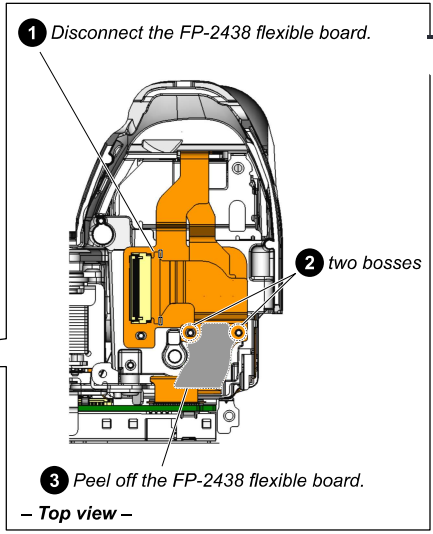
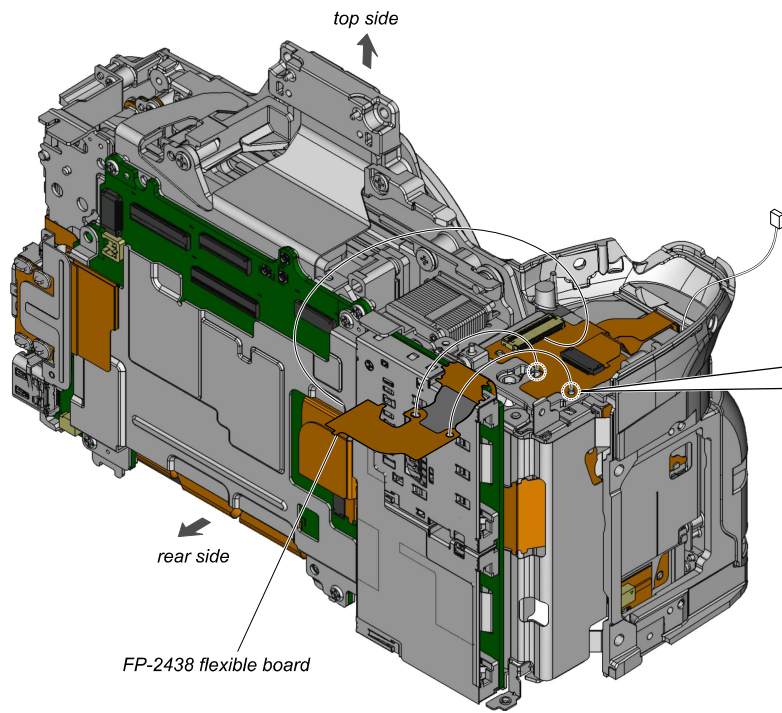
3 two screws (M1.7 x 3.0)

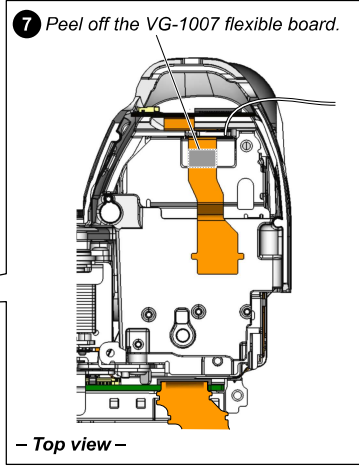
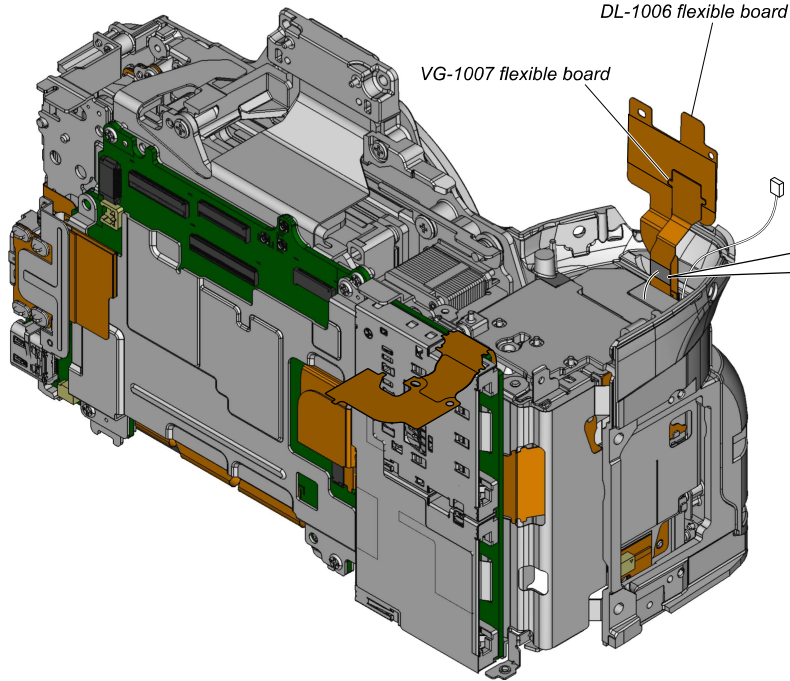
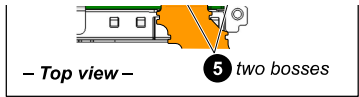
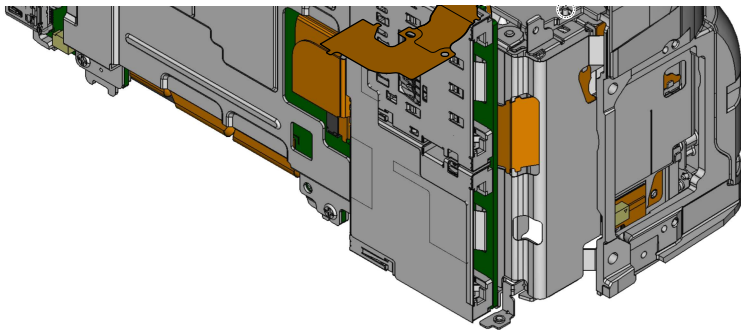


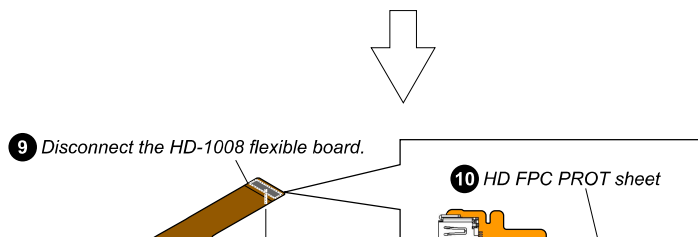
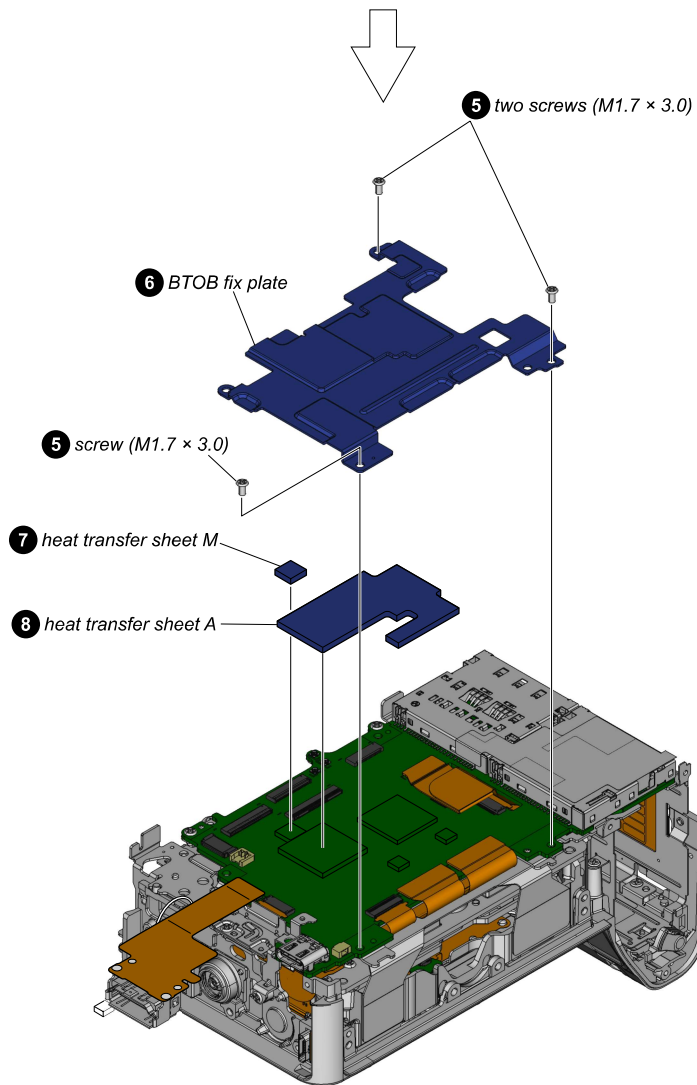
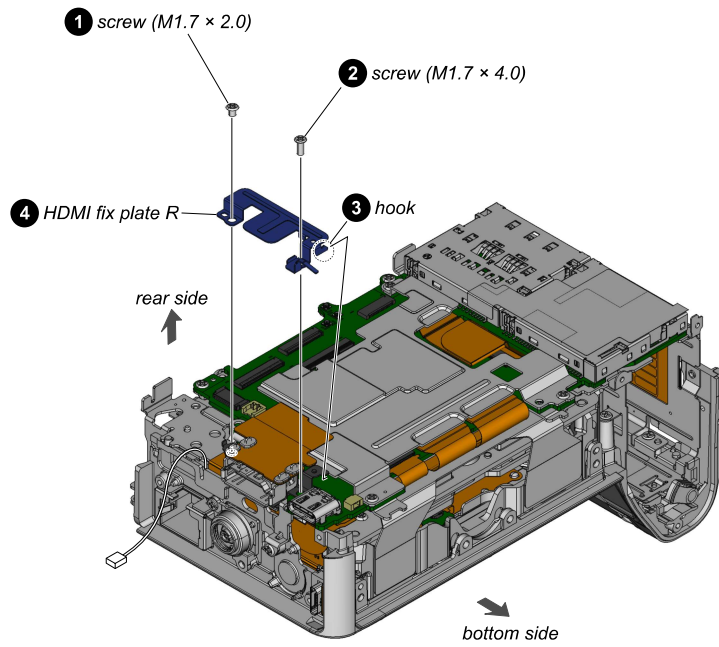
8 Lift up the harness holder

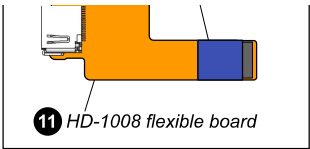
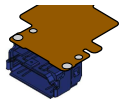


44. FLEXIBLE BOARDS OF THE BTH HOLDER PART





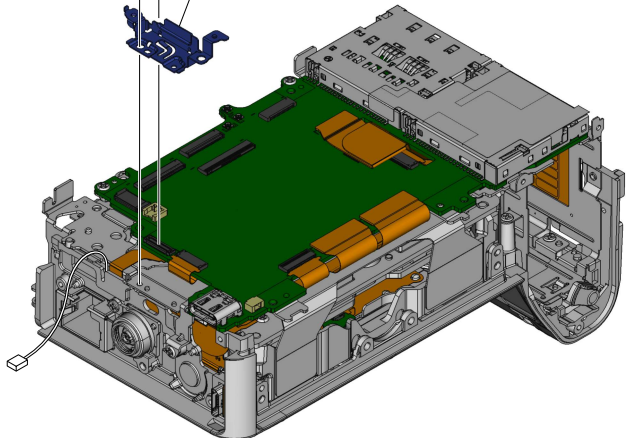




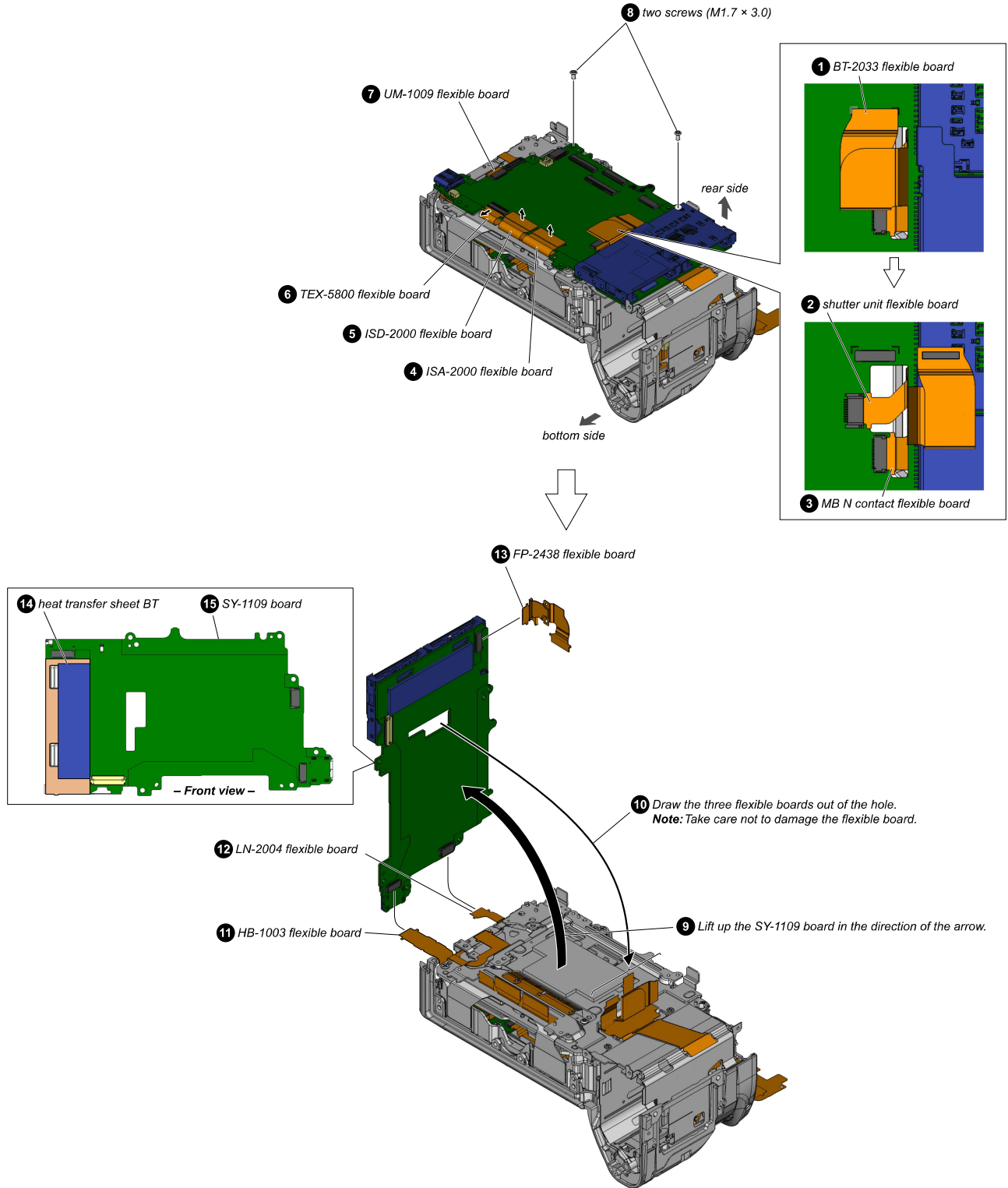
11 HD-1008 flexible board

12 screw (M1.7 x 2.0)

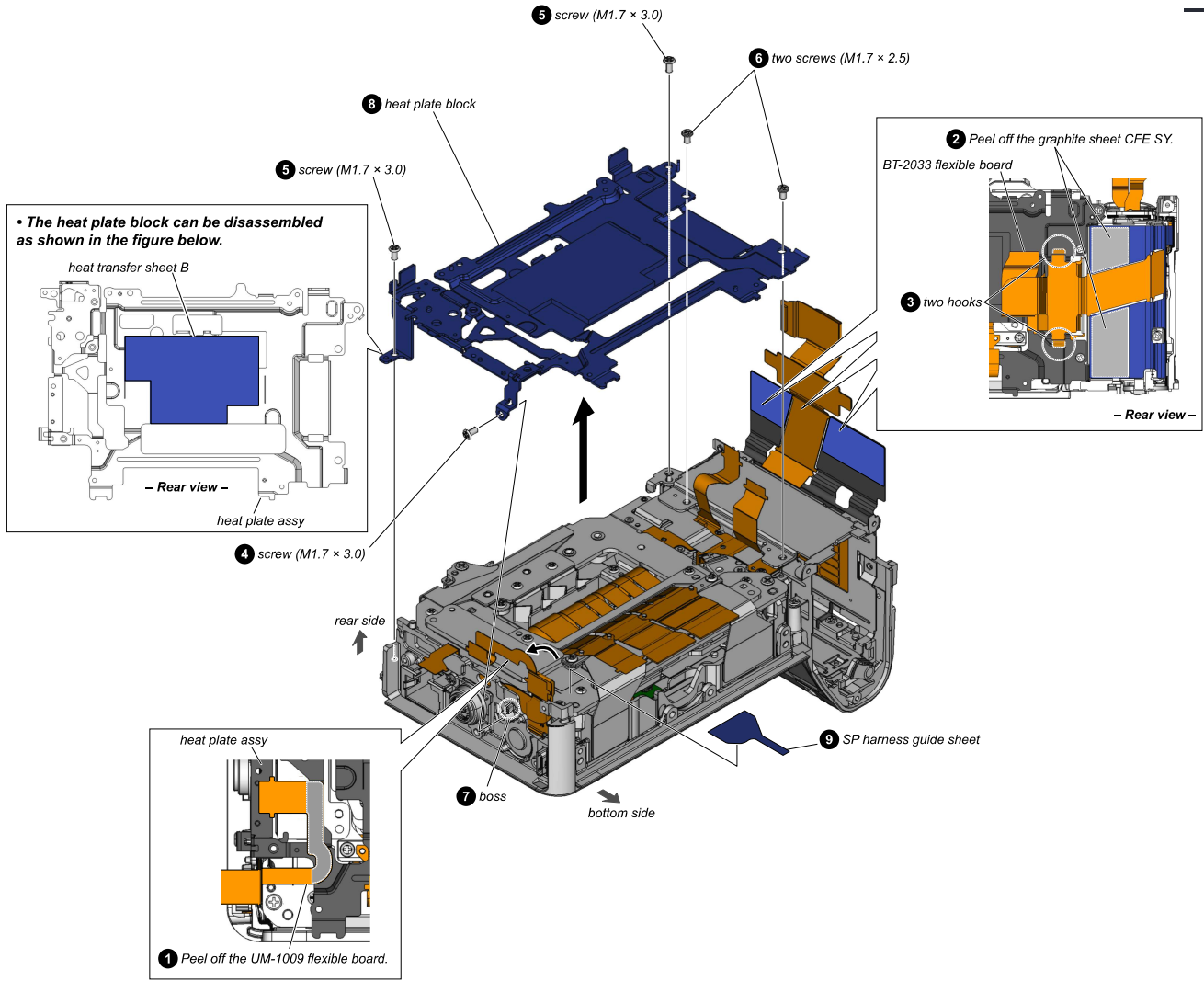
13 HDMI fix plate F



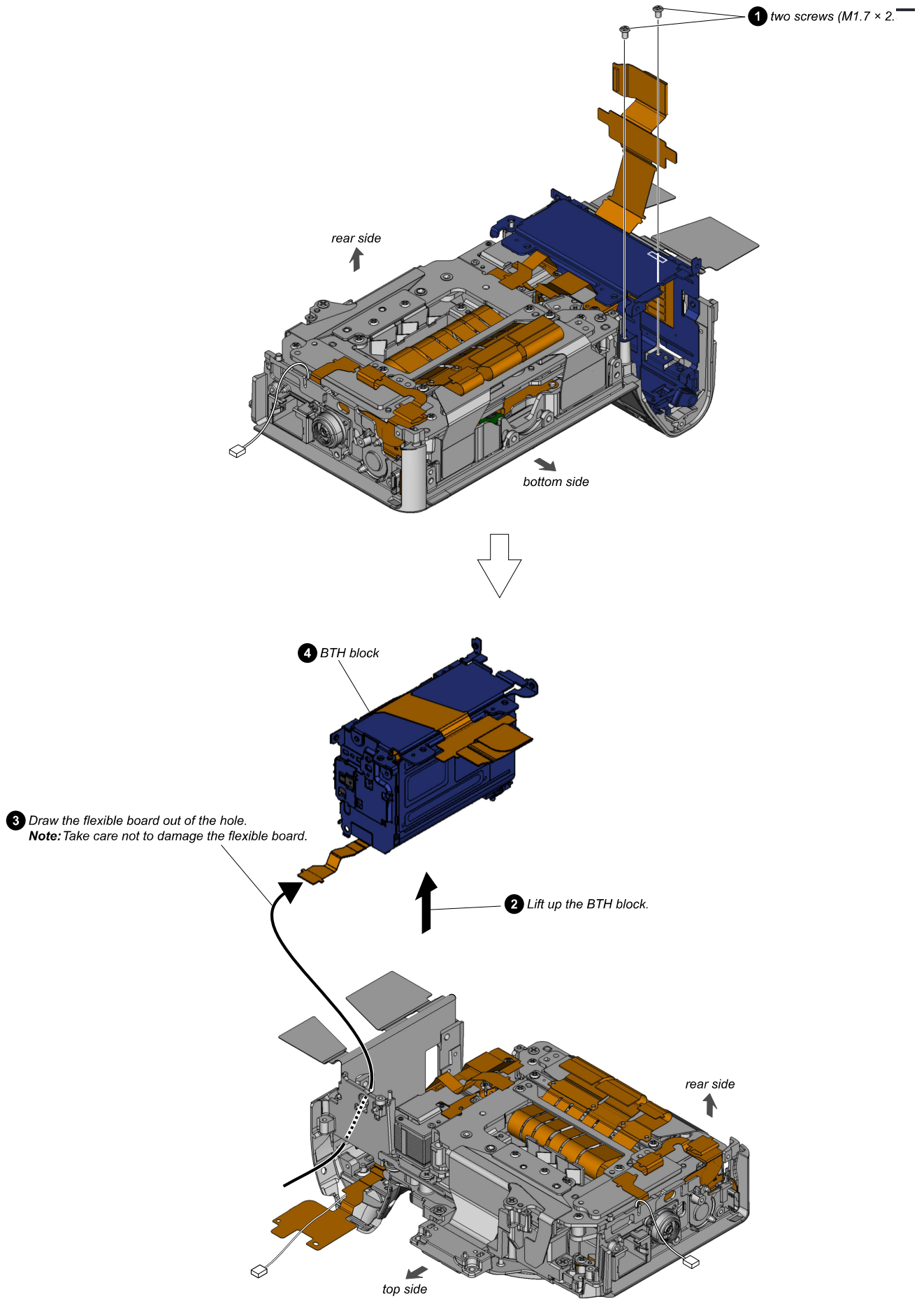
46. SY-1109 BOARD (Not Supplied)



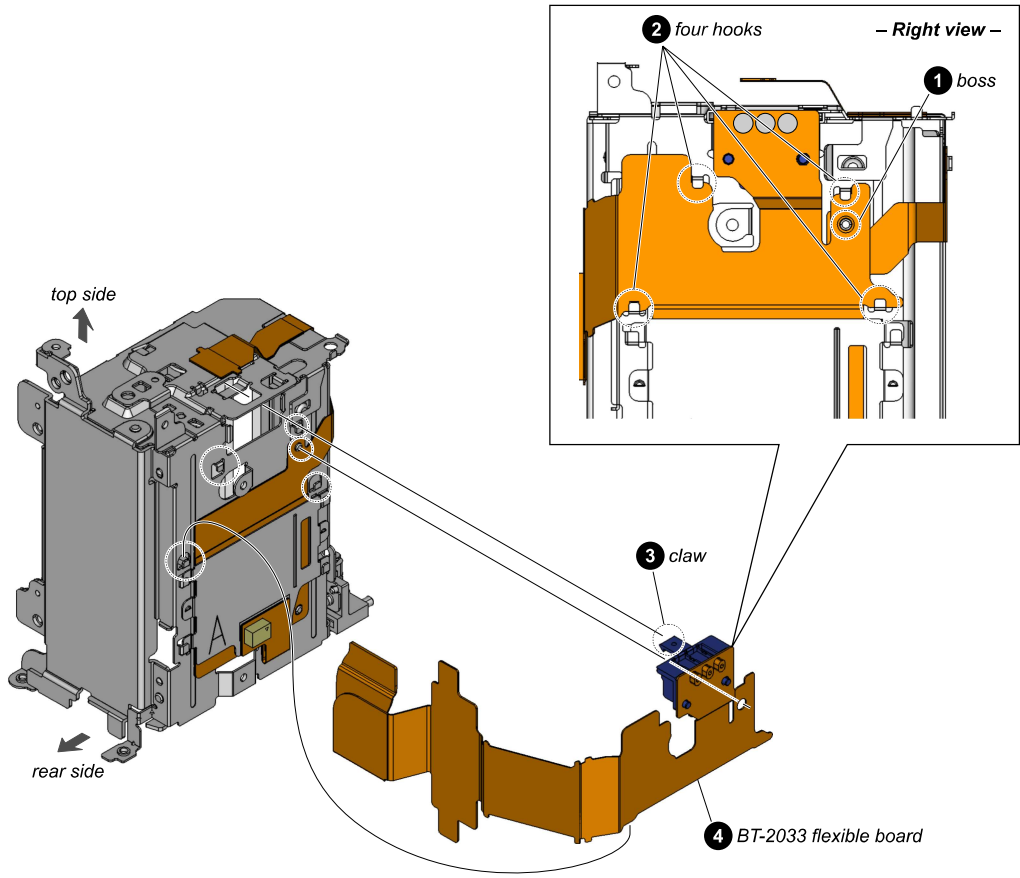
47. HEAT PLATE ASSY



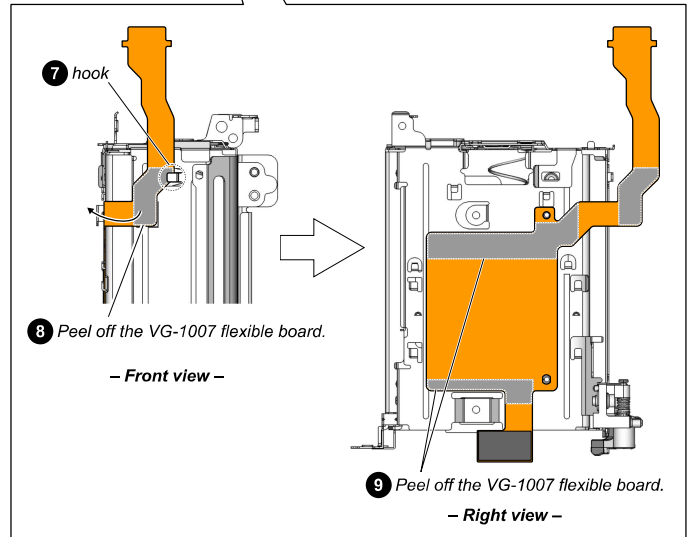
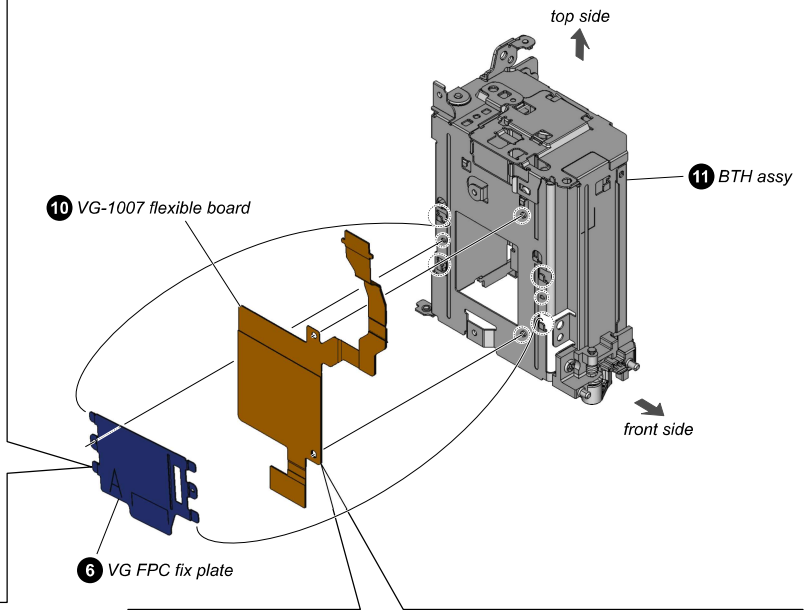
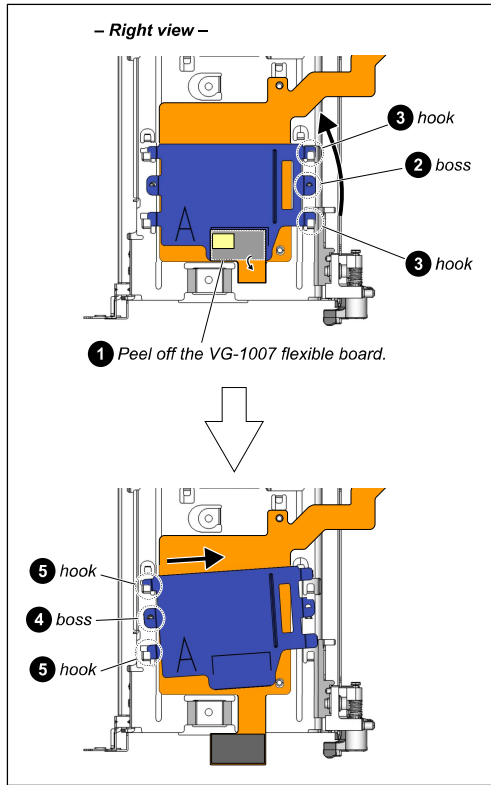
48. BTH BLOCK



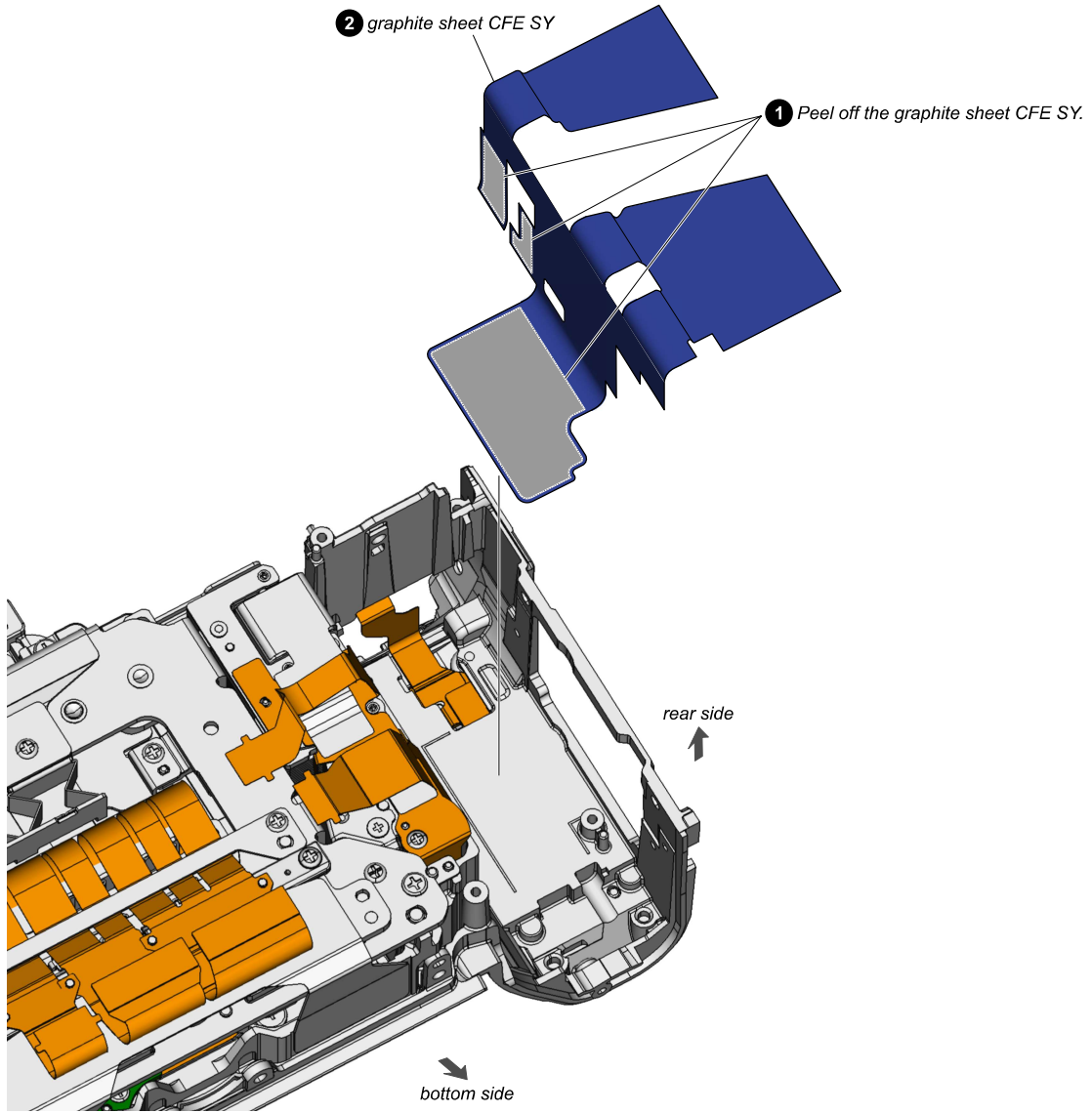
49. BT-2033 FLEXIBLE BOARD



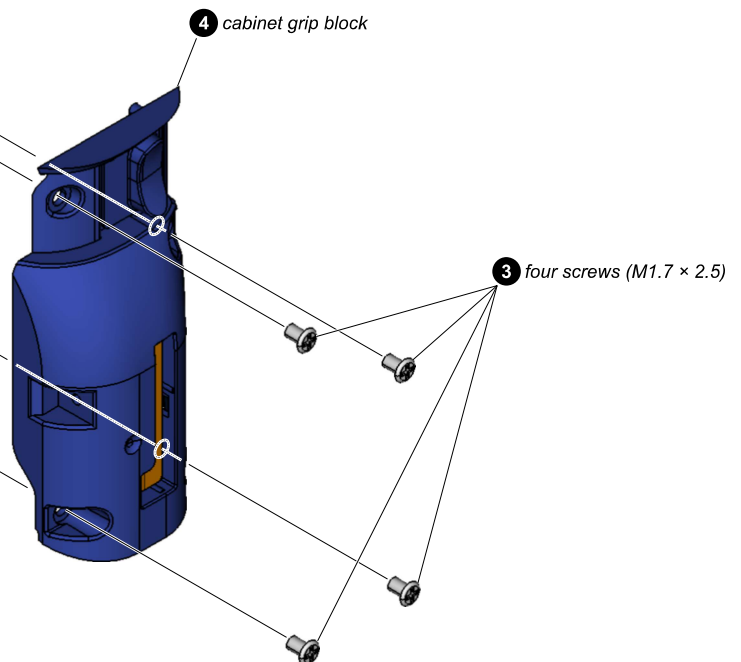
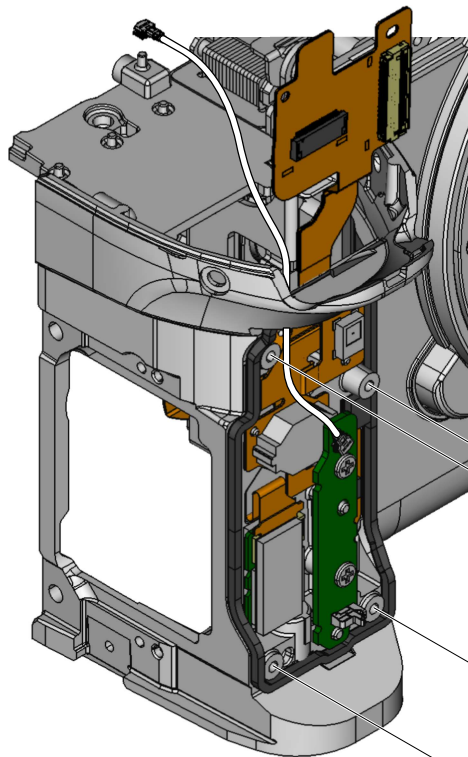
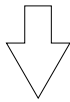
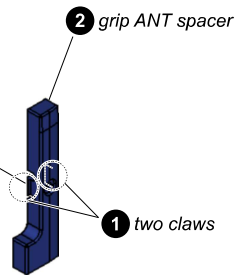
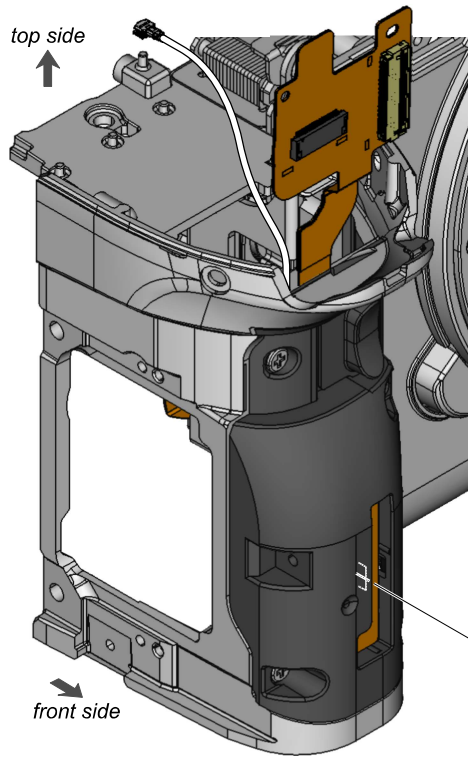
50. VG-1007 FLEXIBLE BOARD, BTH ASSY

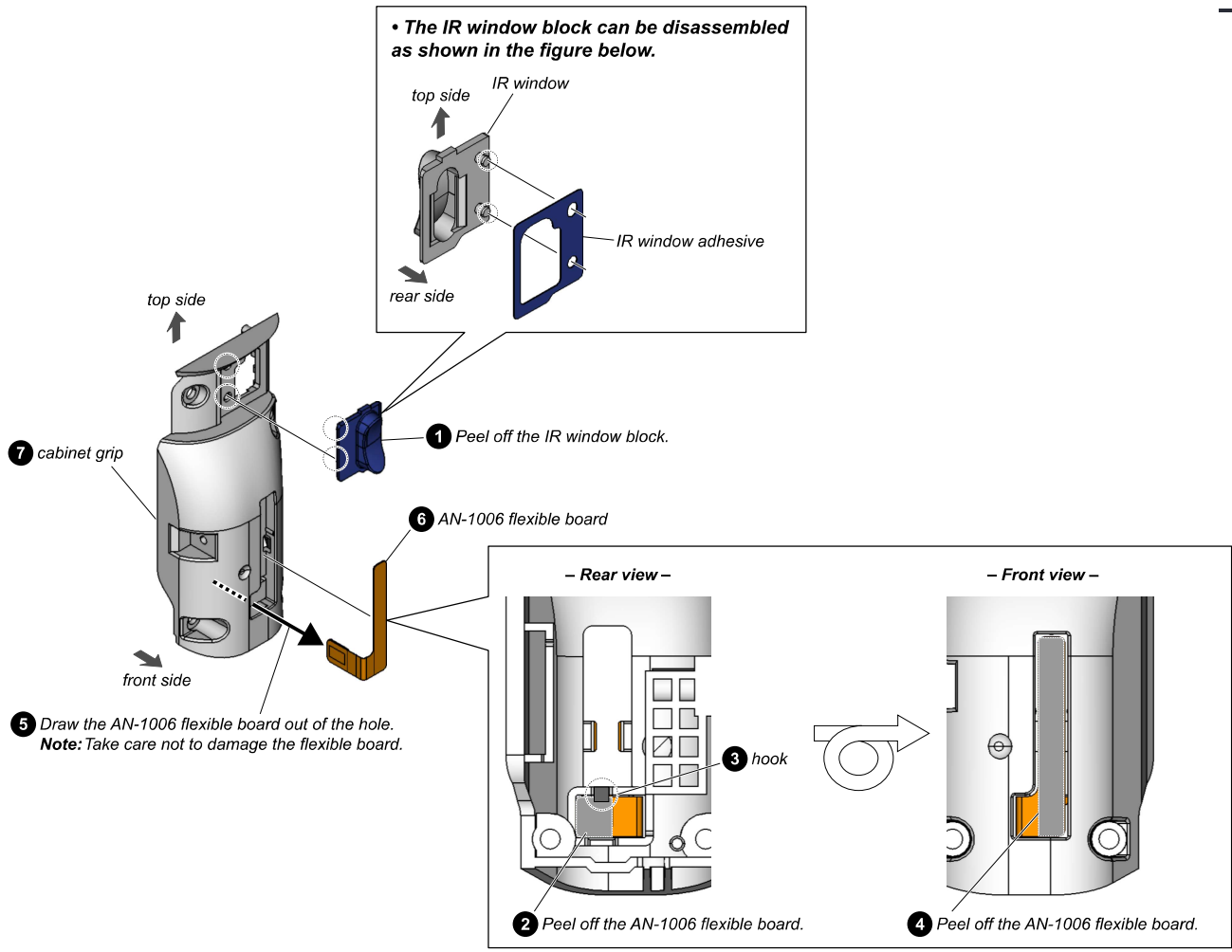


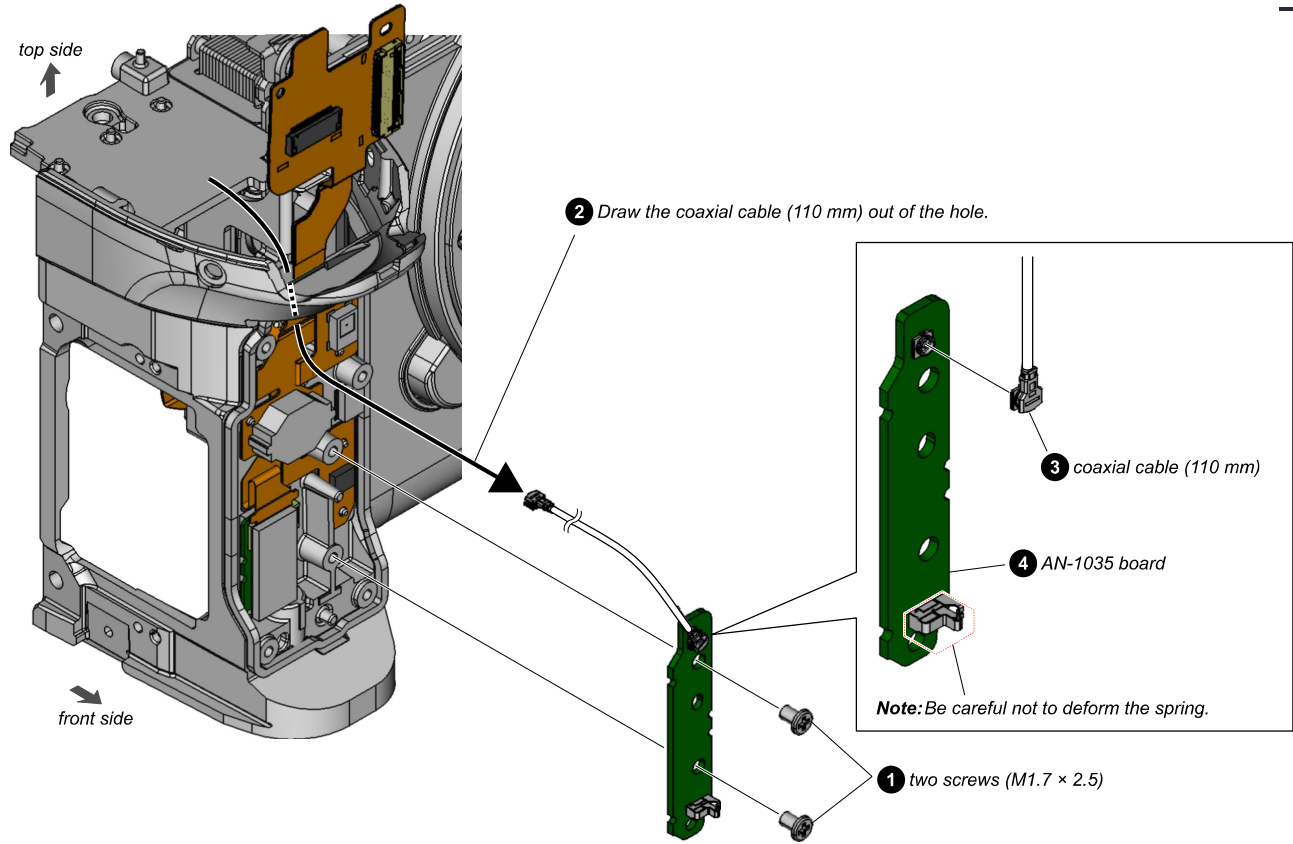
51. GRAPHITE SHEET CFE SY



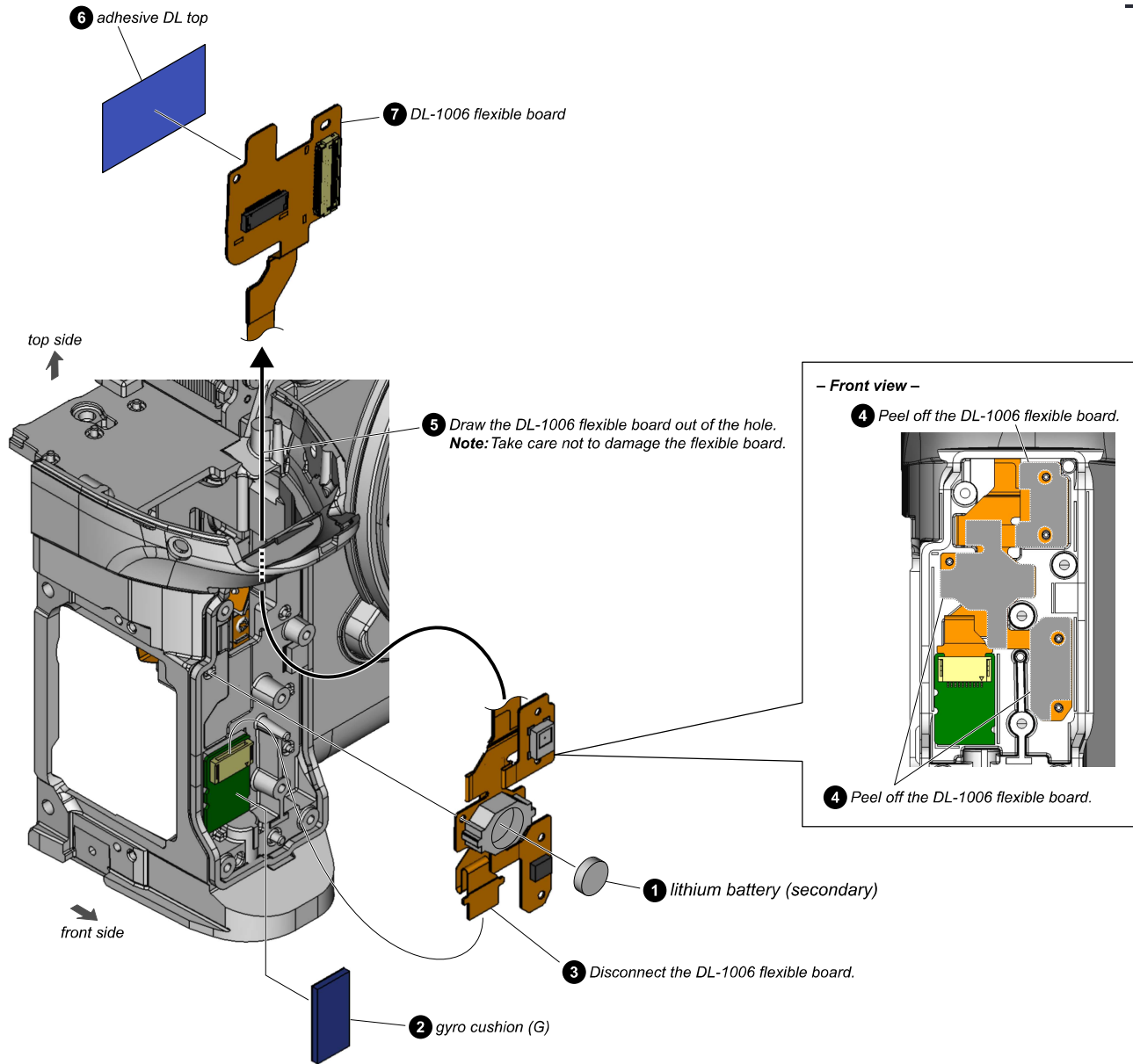
52. CABINET GRIP BLOCK



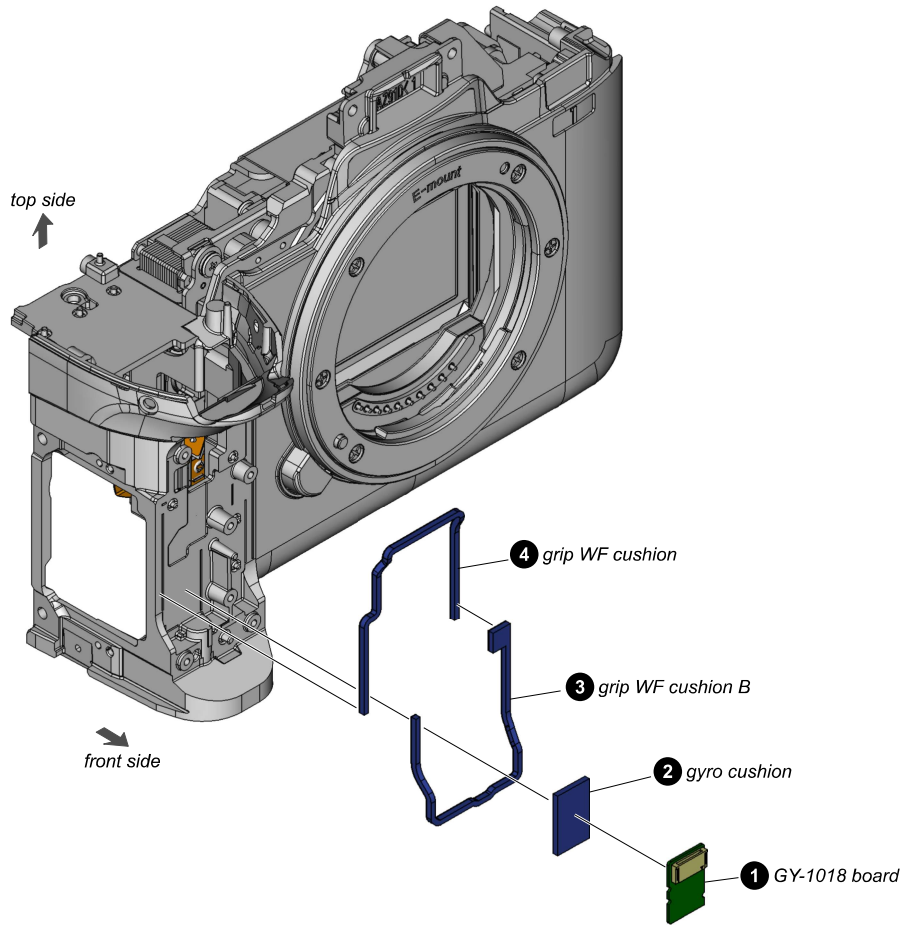




55. DL-1006 FLEXIBLE BOARD (Not Supplied)



56. GY-1018 BOARD (Not Supplied)



—



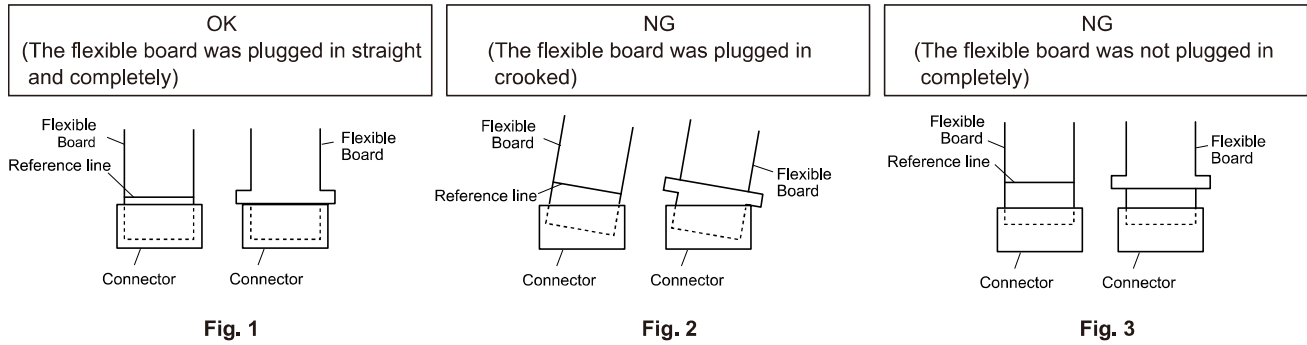
ASSEMBLY

OPERATION NOTES

Make sure that the conductive side of a flexible board does not have any stain or foreign materials.

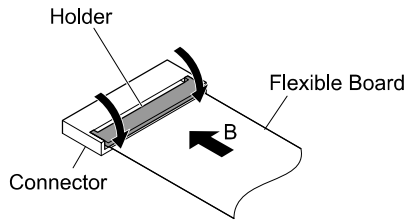
Do not touch the conductive side of flexible boards with bare hands.

Plug in a flexible board straight, fully into the connector until it reaches the end inside. (Fig. 1, Fig. 2, Fig. 3)

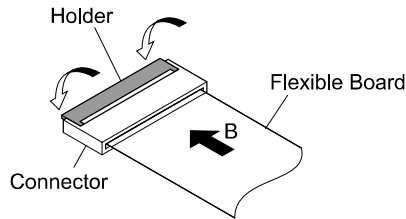


When closing the connector's holder, press it evenly while pushing a flexible board in direction B.

Type 1

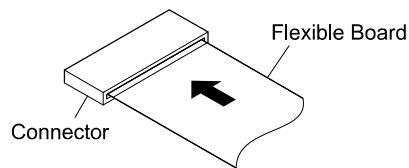


Type 2



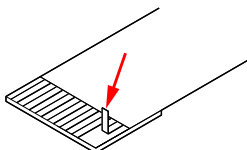
When installing the connector (without holder), plug in a flexible board straight until it stops.

Type 3



Plugged in straight and completely.

- Make sure that the flat cable and flexible board are not cracked or bent at the contact end.
- If the terminal is cracked or came off, replace it.



- Do not apply excessive force to the gilded flexible board.
- The proper way to disconnect a connector is to grab the connector instead of the wires. If you pull on the wires, they might be broken.

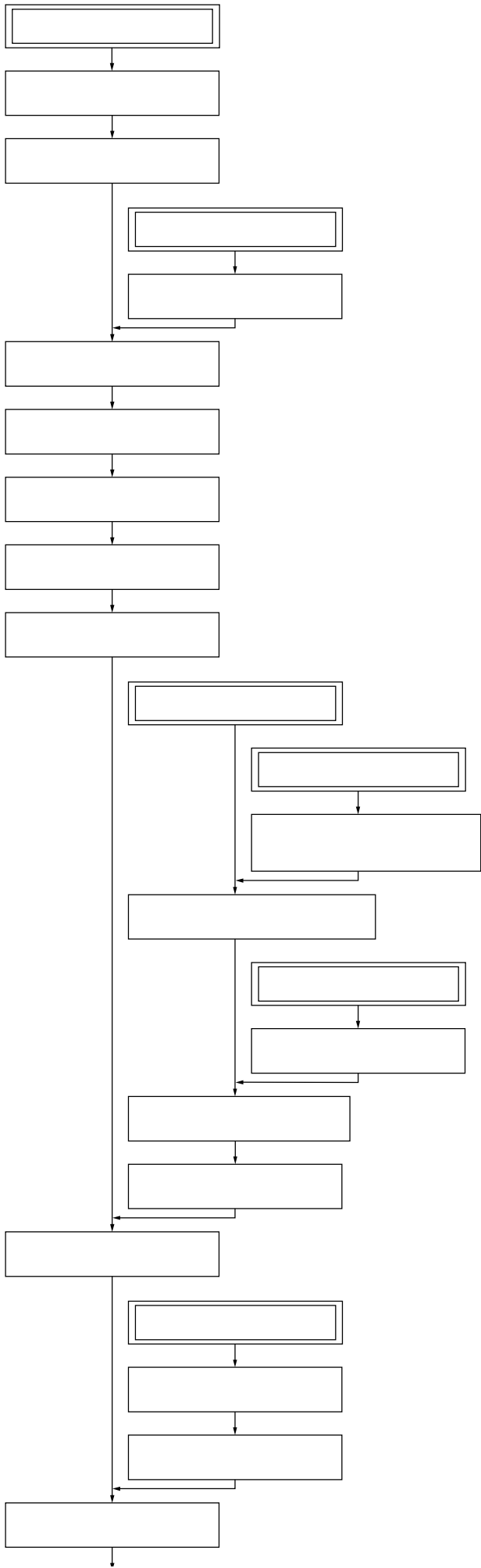
SERVICE TOOLS

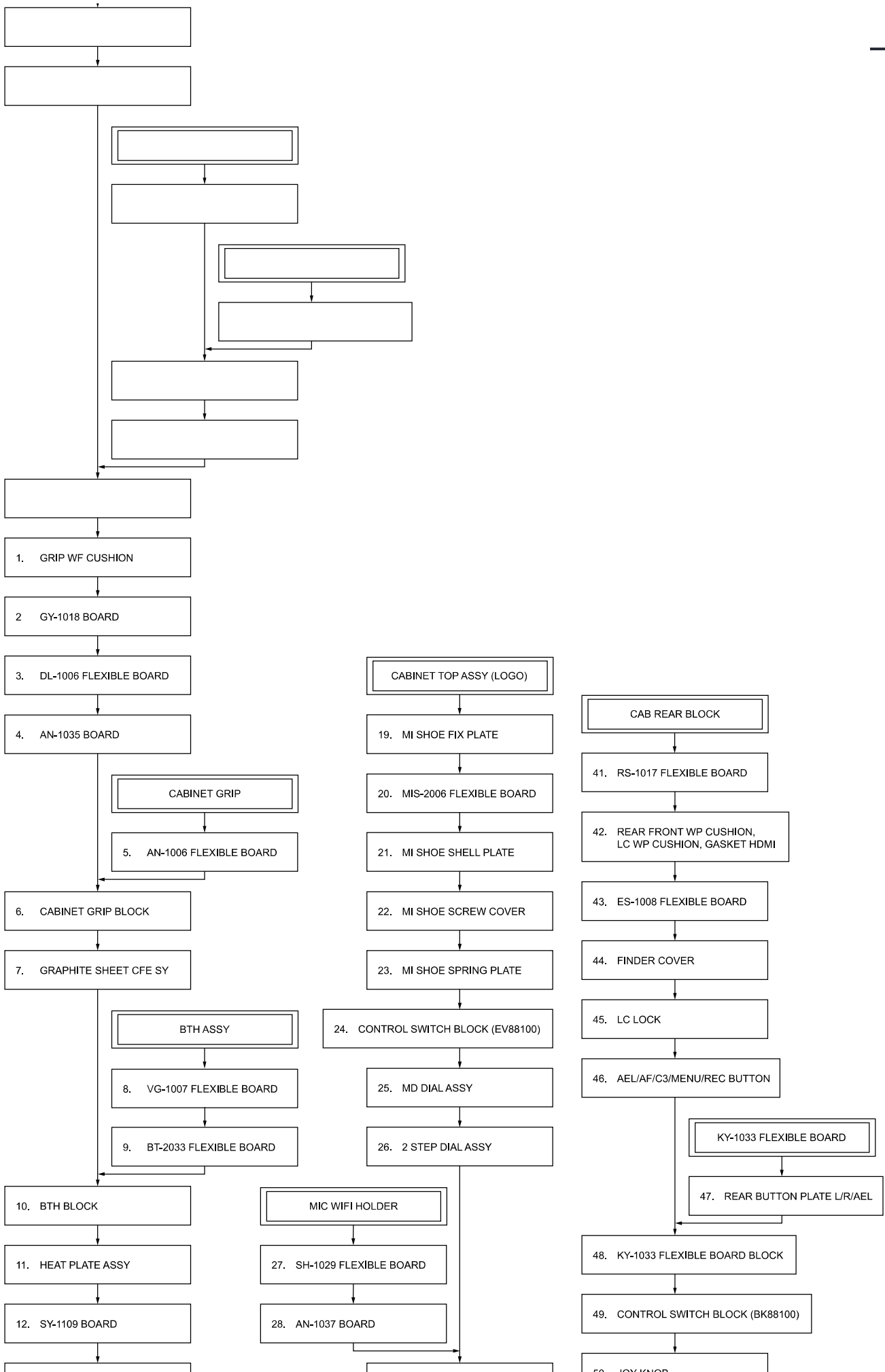
| Display | Use | Part No. |
|----------------|-------------------------|-----------|
| ADHESIVE (243) | ADHESIVE (243) 50ML BLU | 760004201 |
| G-85 | Grease (G-85) | J6082626A |

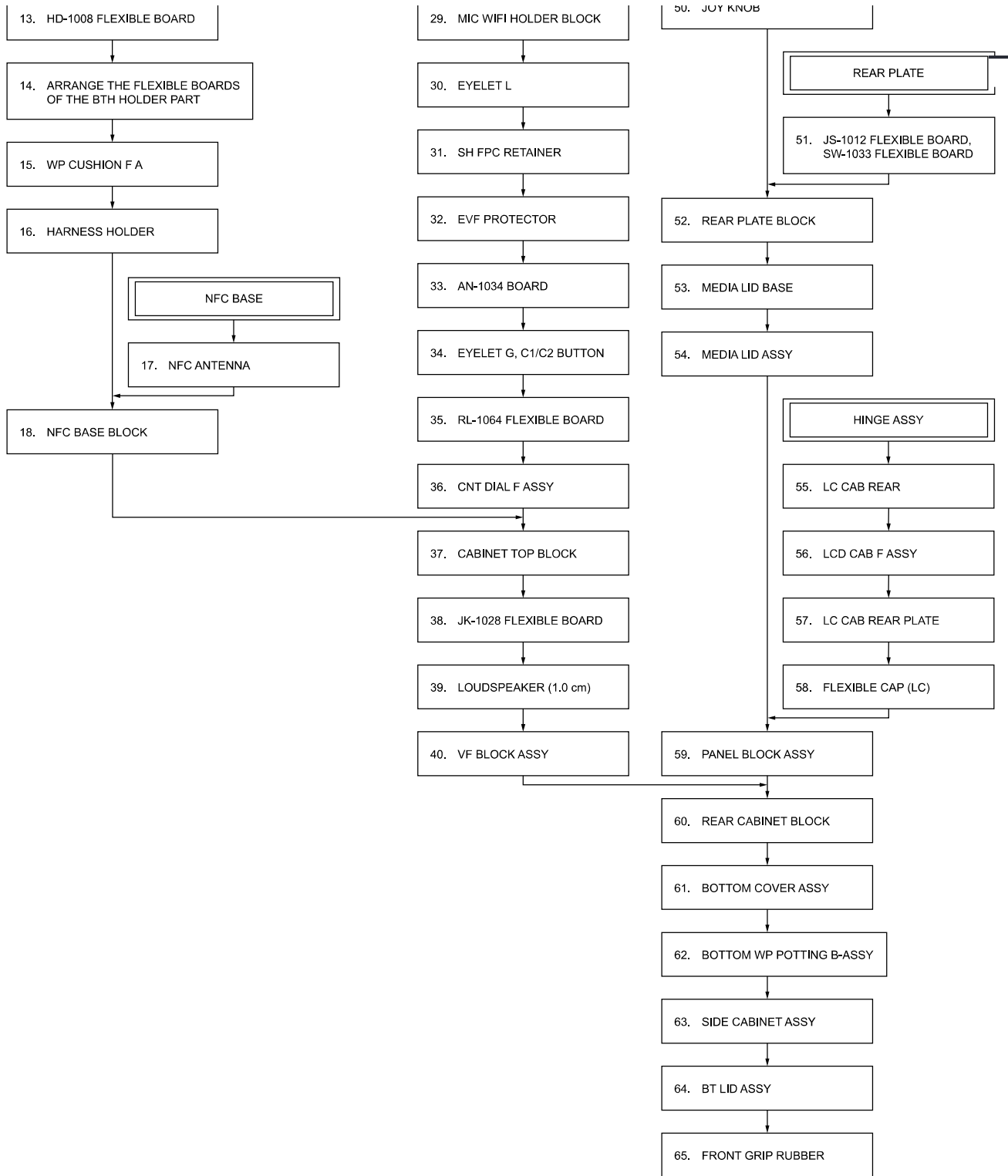
ASSEMBLY FLOW

This set can be assembled in the order shown below.

—

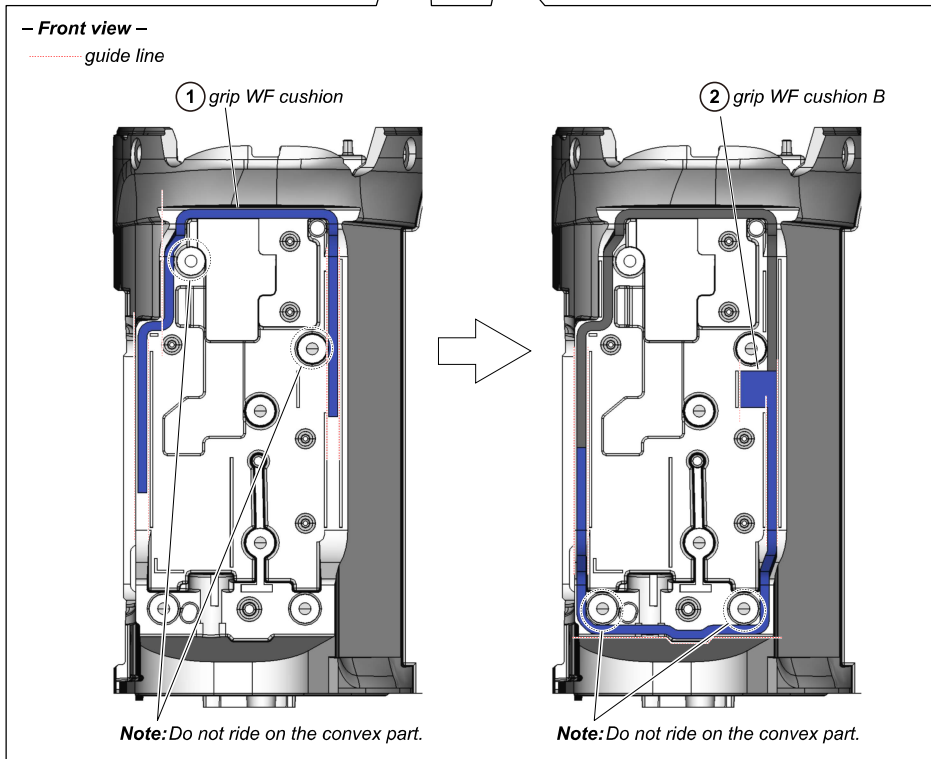
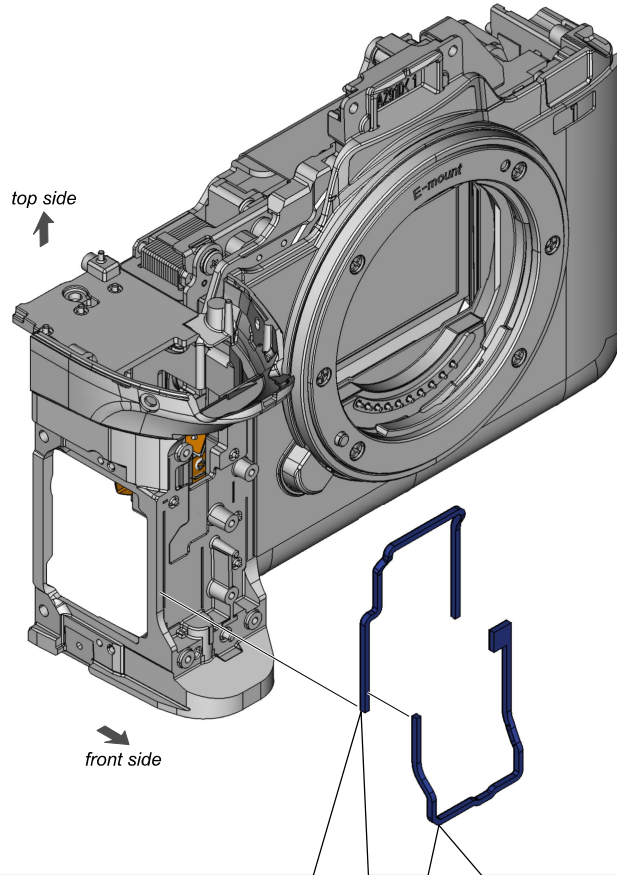




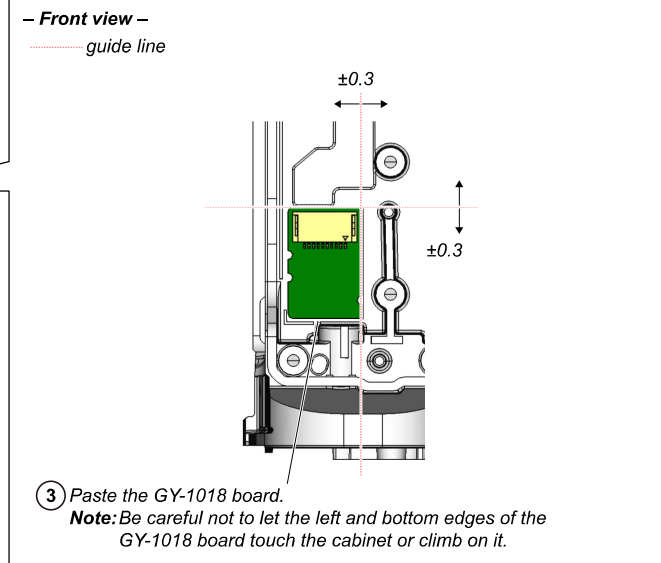
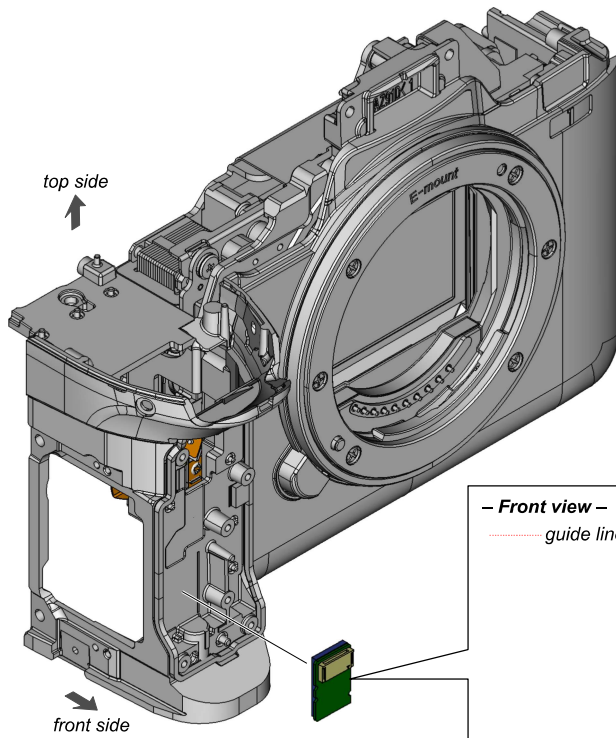
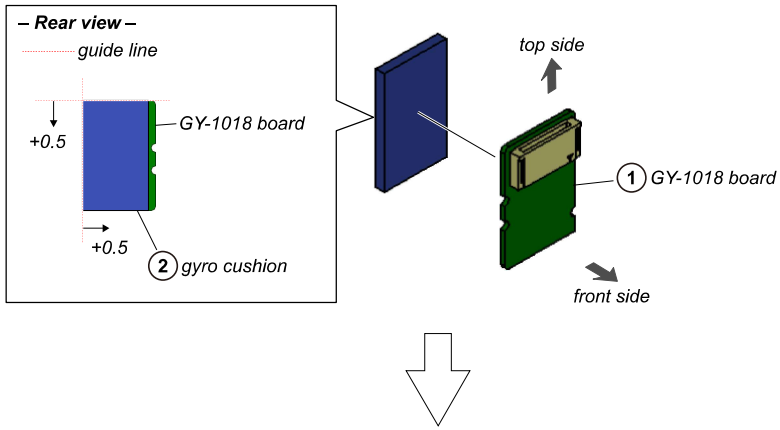


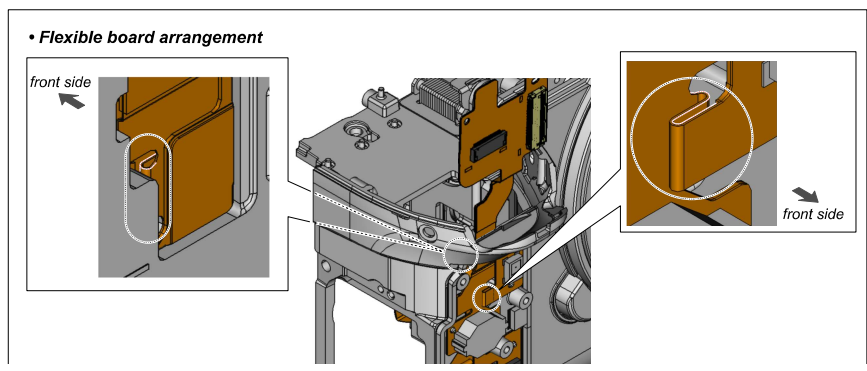
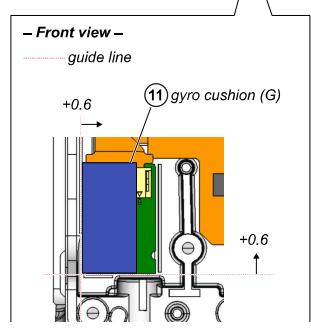
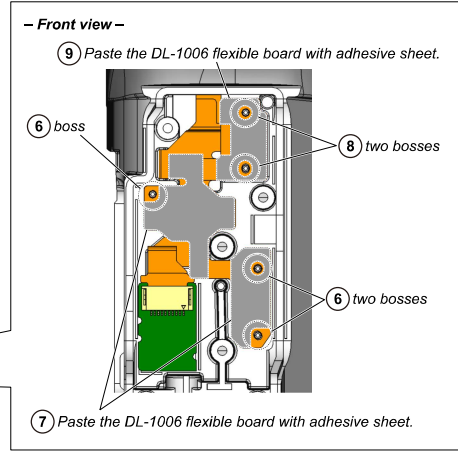
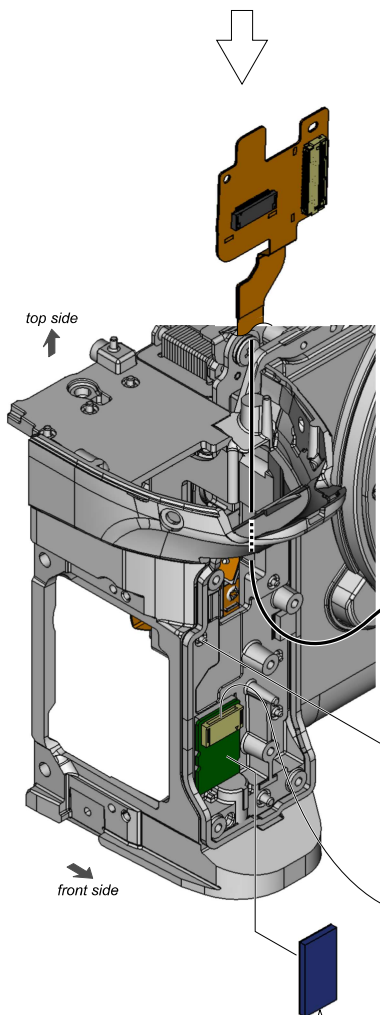
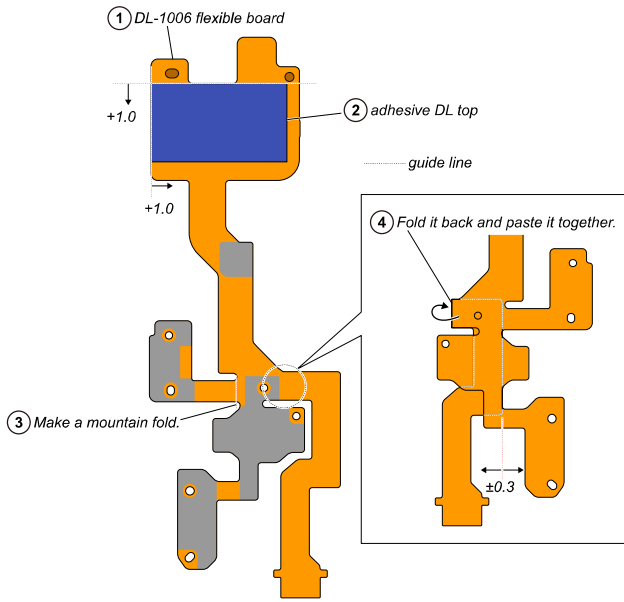
Note: Follow the assembly procedure in the numerical order given.

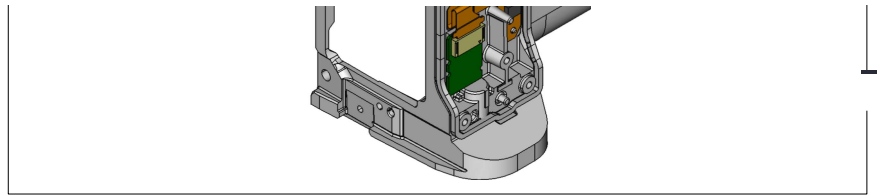
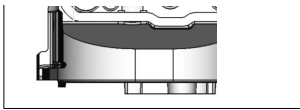
1. GRIP WF CUSHION



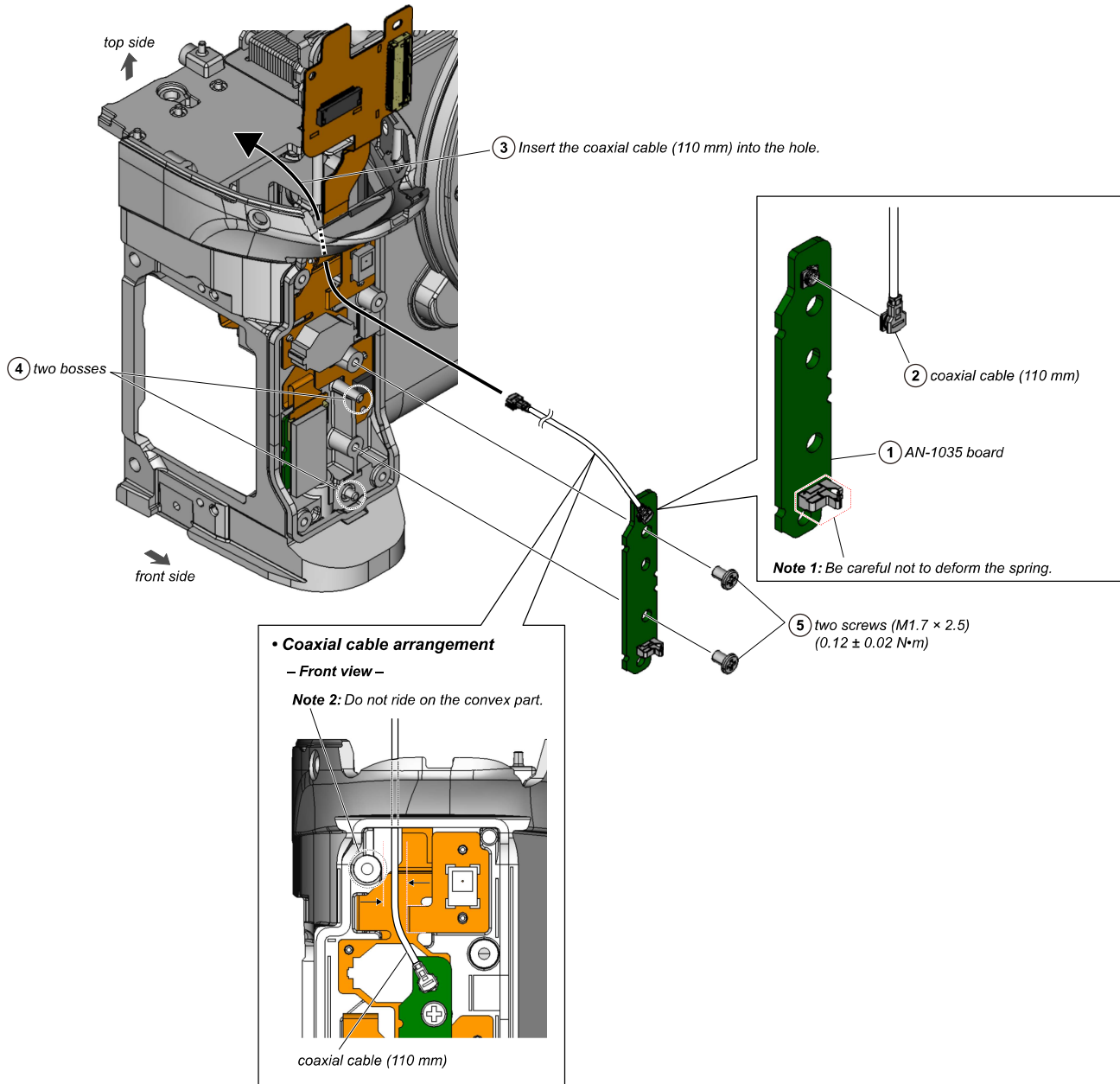
2. GY-1018 BOARD (Not Supplied)



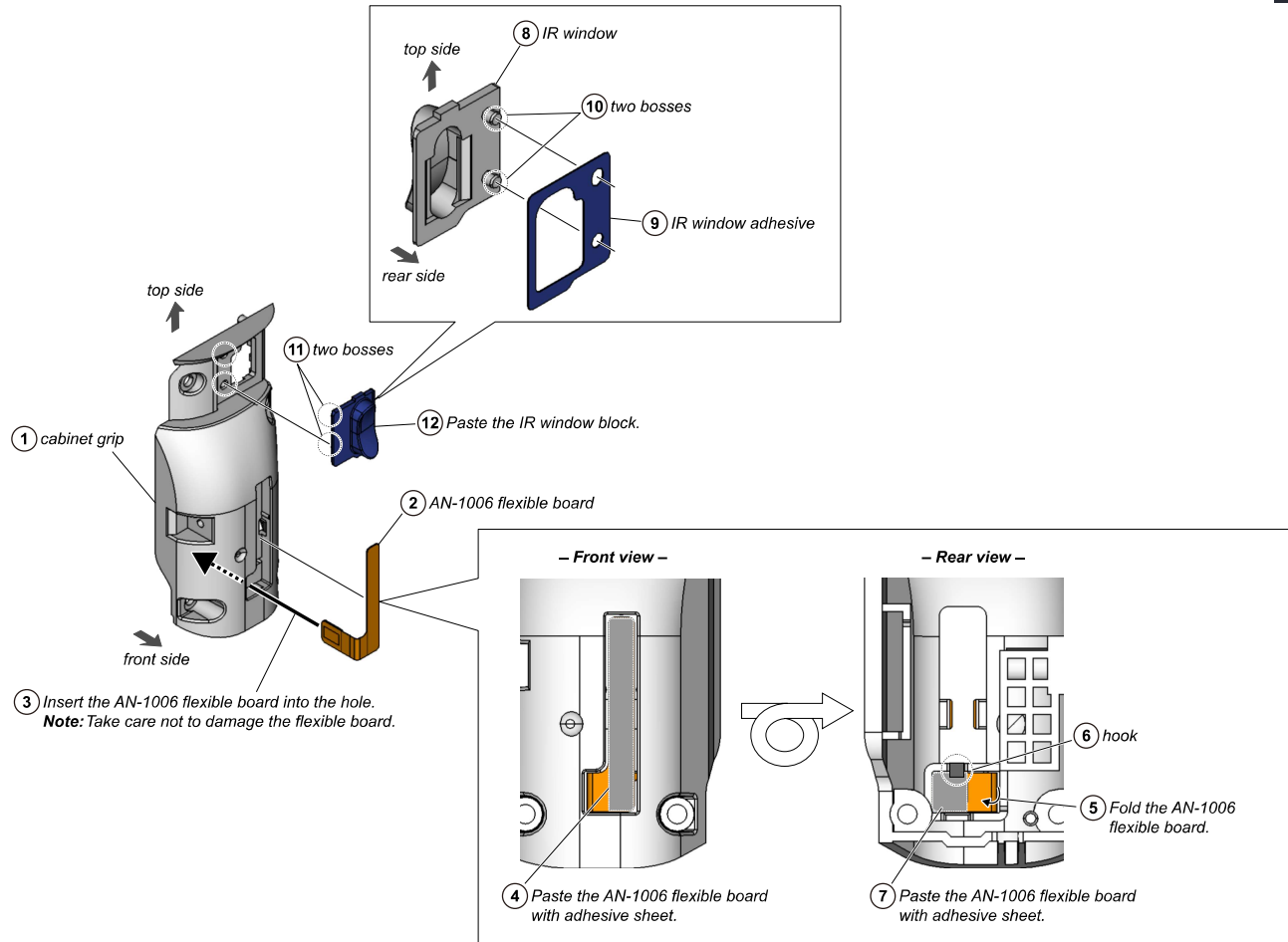




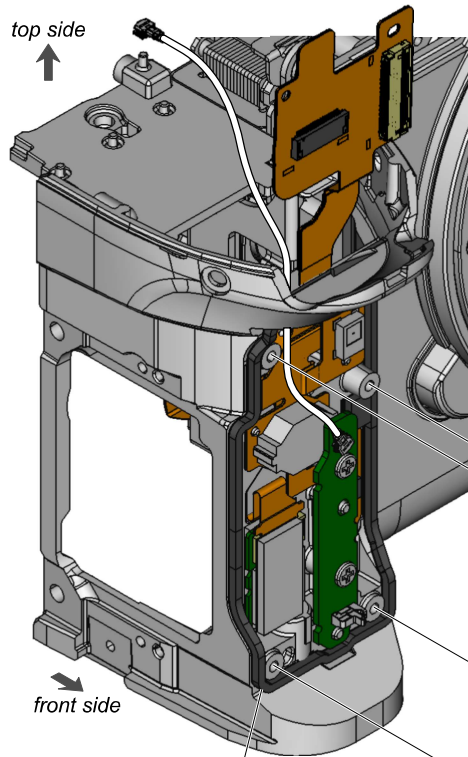
4. AN-1035 BOARD



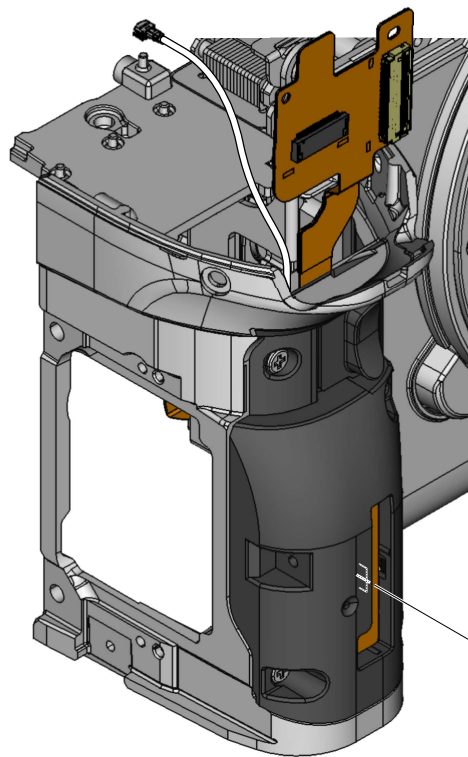
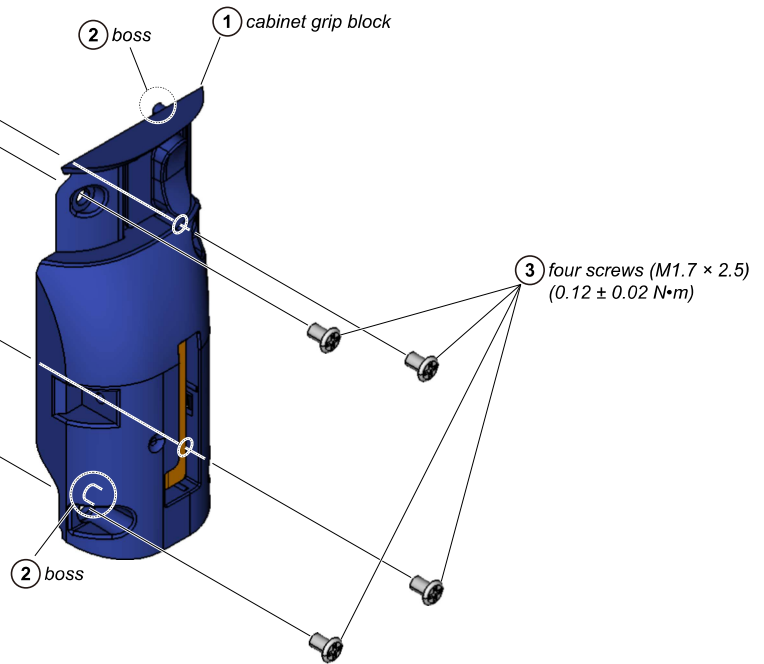
5. AN-1006 FLEXIBLE BOARD



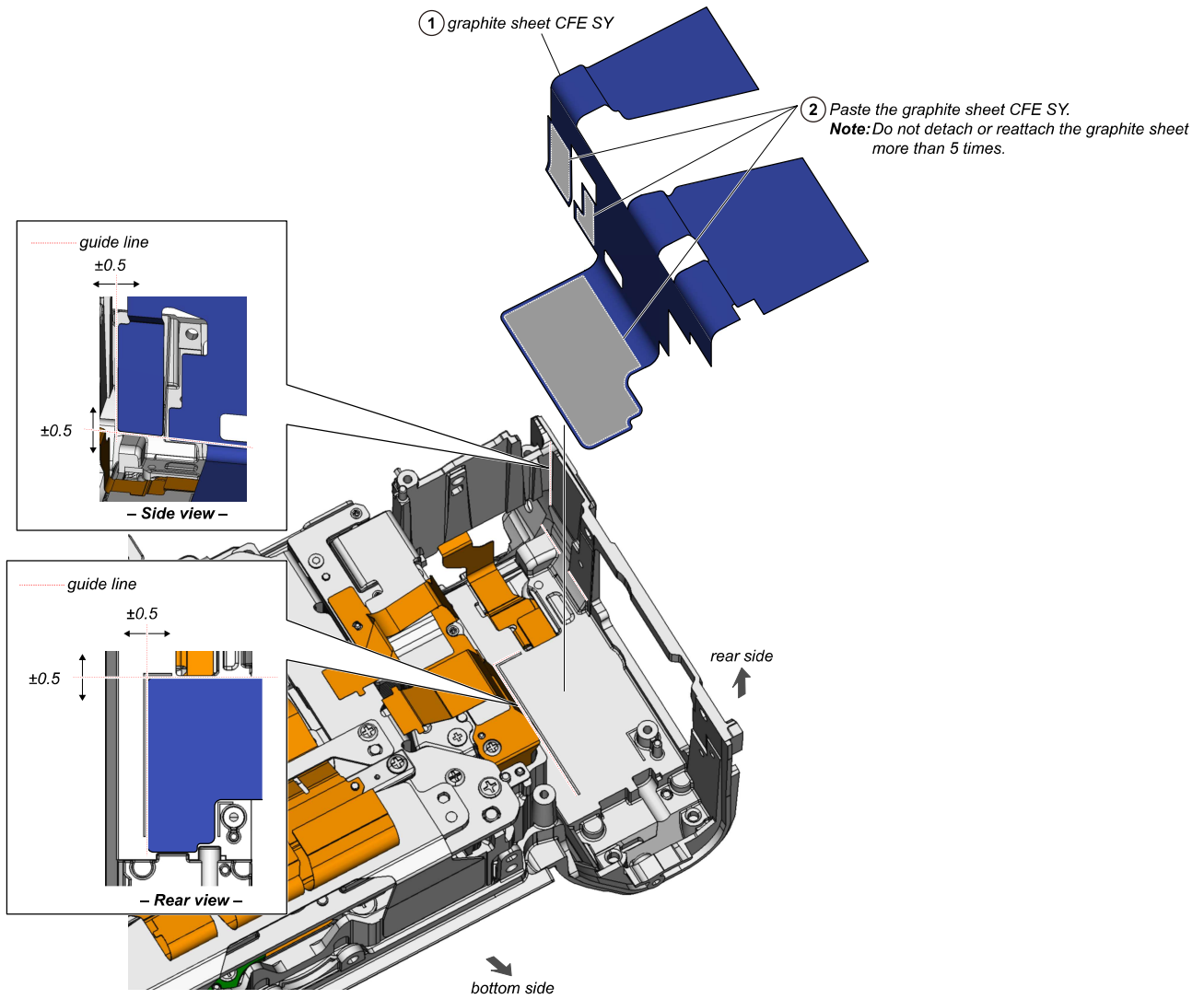
6. CABINET GRIP BLOCK



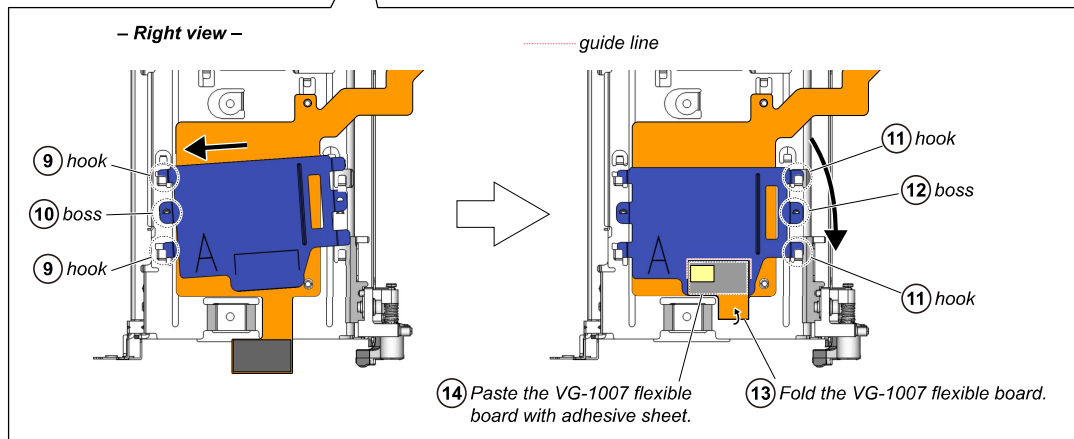
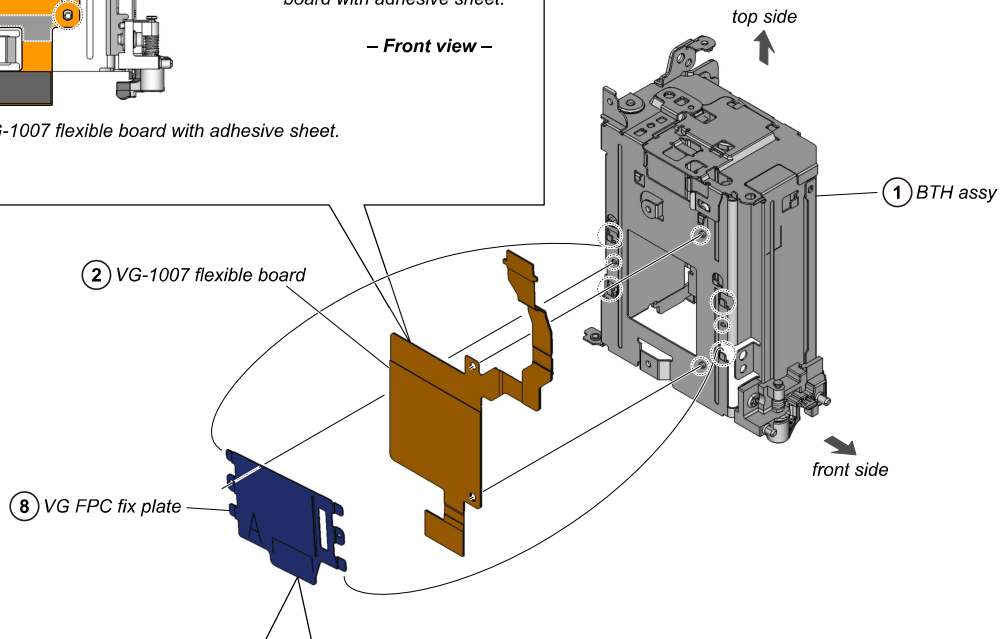
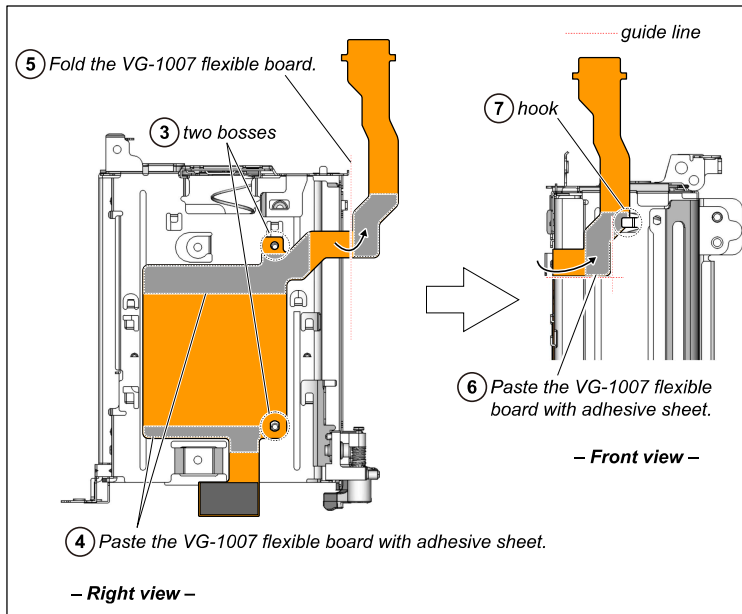
Note: When installing the cabinet grip block, make sure that the grip WF cushion does not stick out.



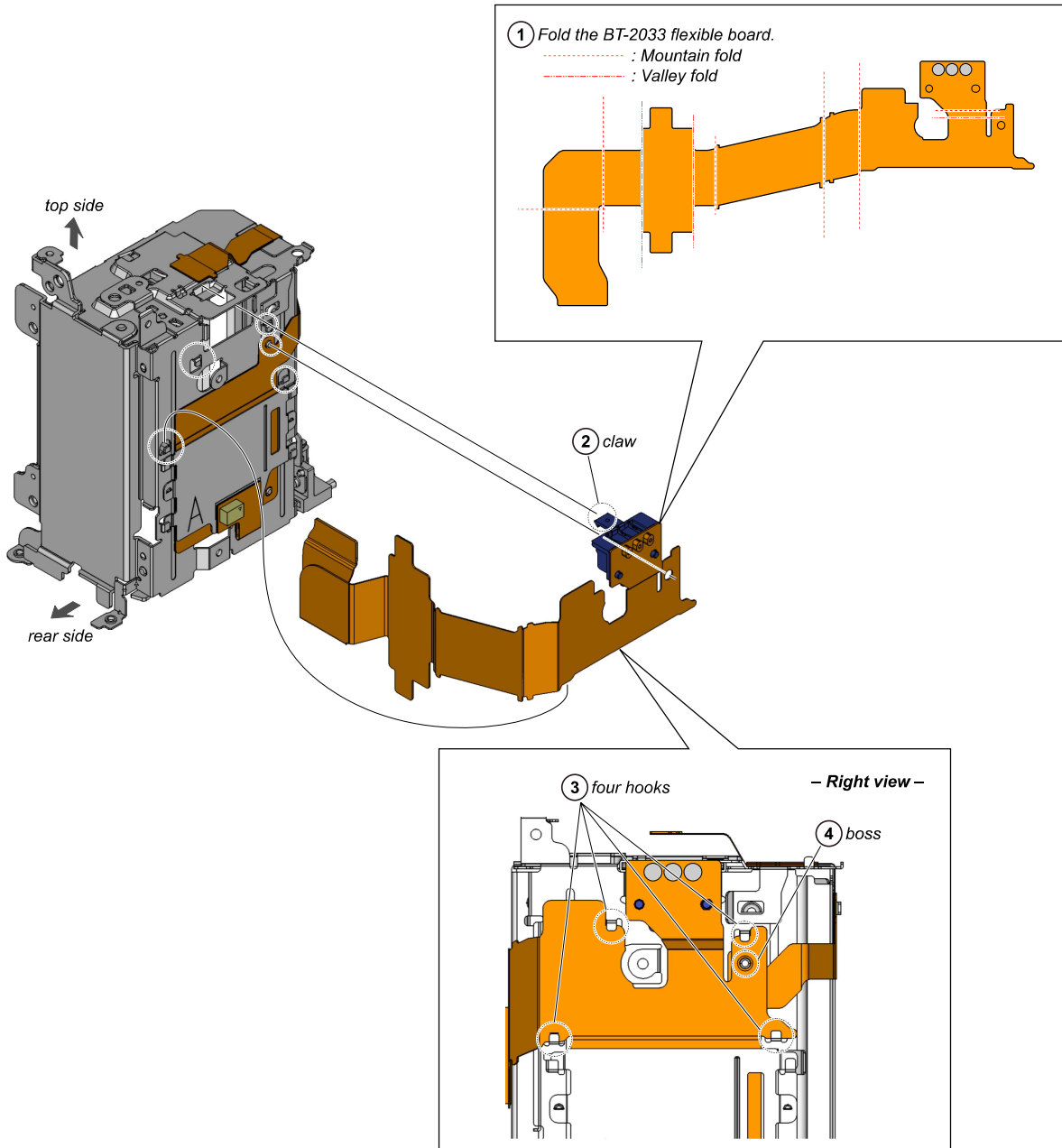
7. GRAPHITE SHEET CFE SY

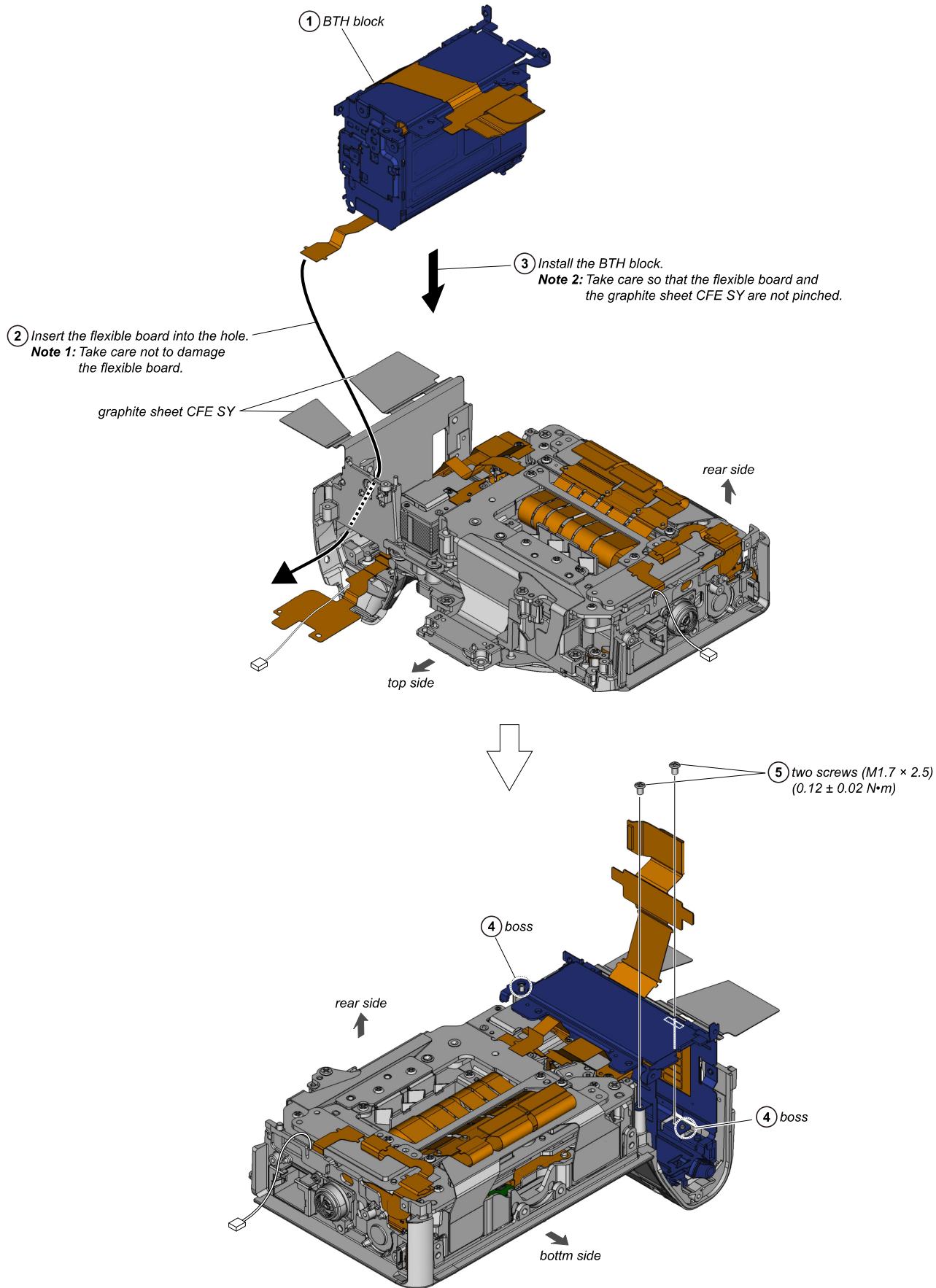


8. VG-1007 FLEXIBLE BOARD

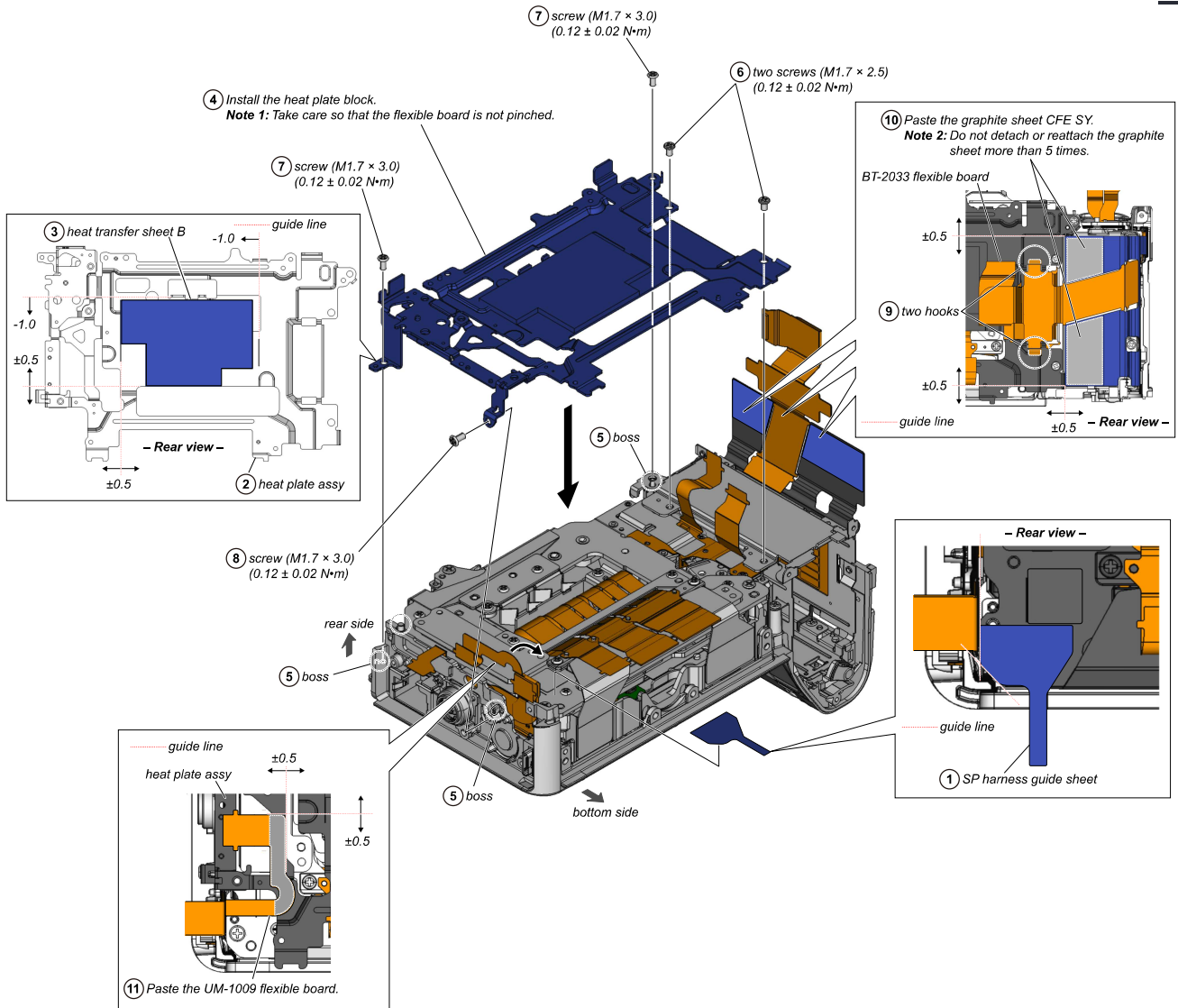


9. BT-2033 FLEXIBLE BOARD

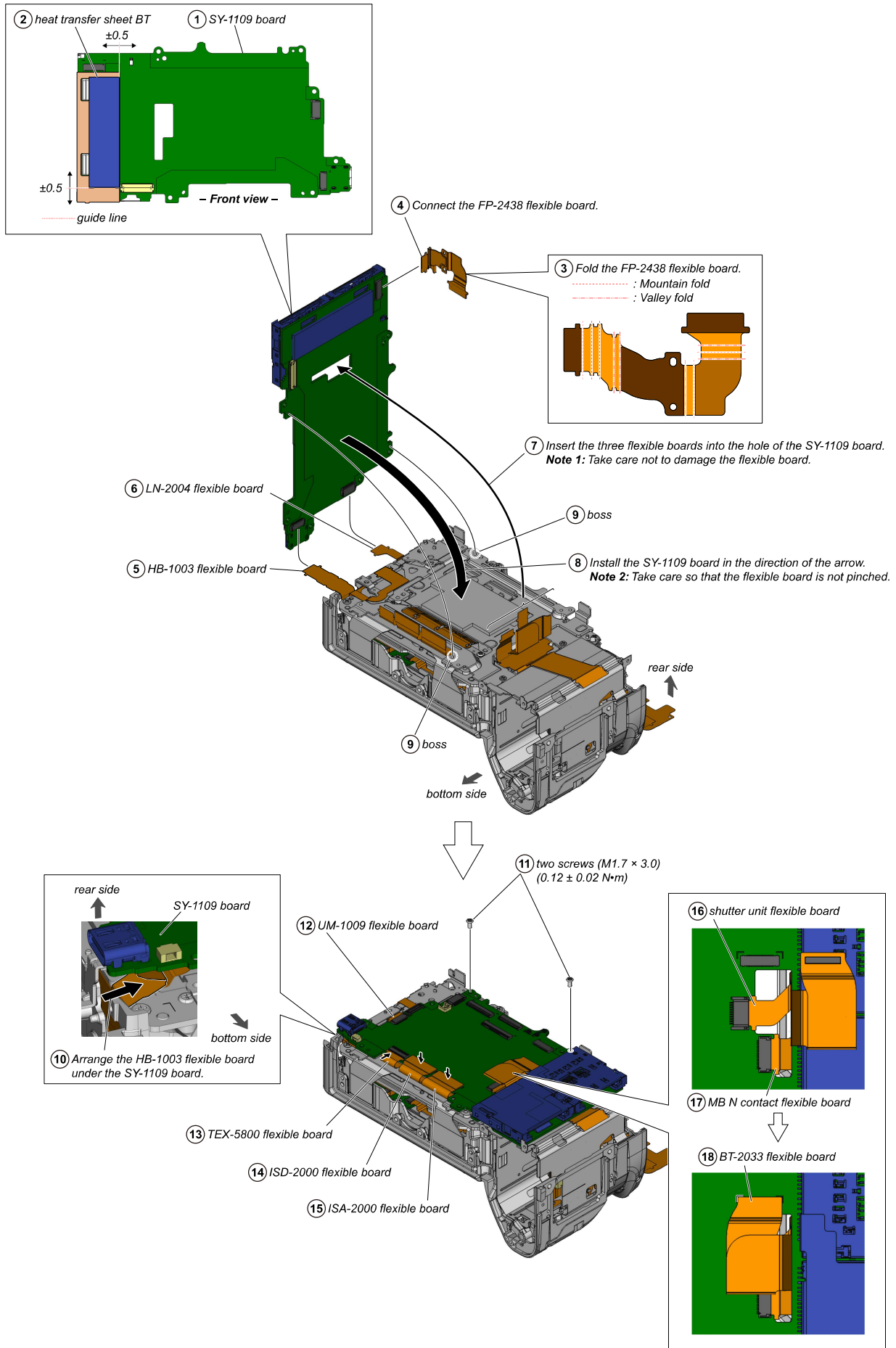




11. HEAT PLATE ASSY



12. SY-1109 BOARD (Not Supplied)



③ screw (M1.7 × 2.0)
(0.12 ± 0.02 N·m)

① HDMI fix plate F

rear side

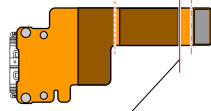
② two bosses

bottom side

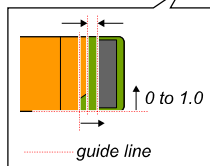
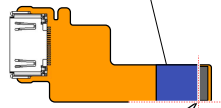
④ Fold the HD-1008 flexible board.

----- : Mountain fold
----- : Valley fold

Note: Please do not make a crease in this part,
because the flexible board can be damaged.



⑤ HD FPC PROT sheet



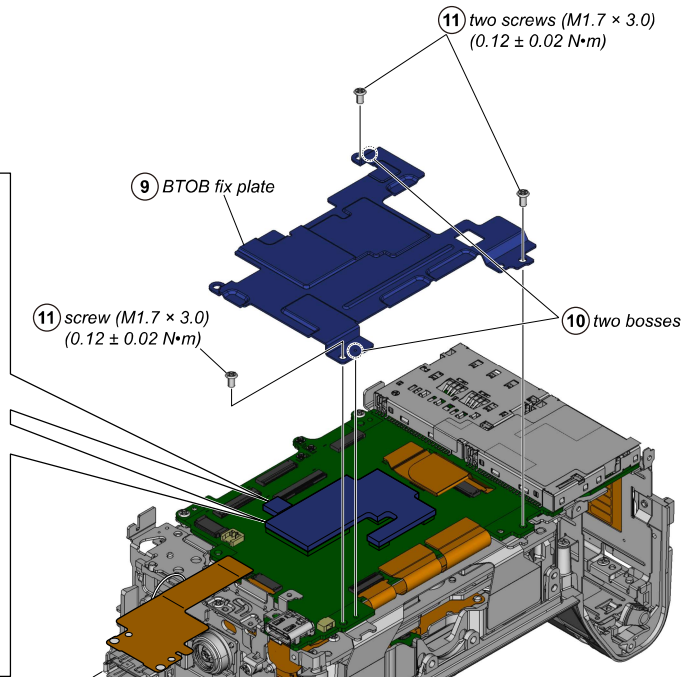
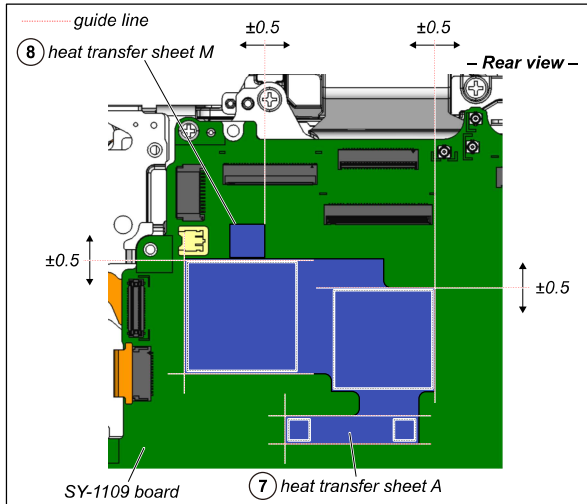
⑥ Connect the HD-1008 flexible board.

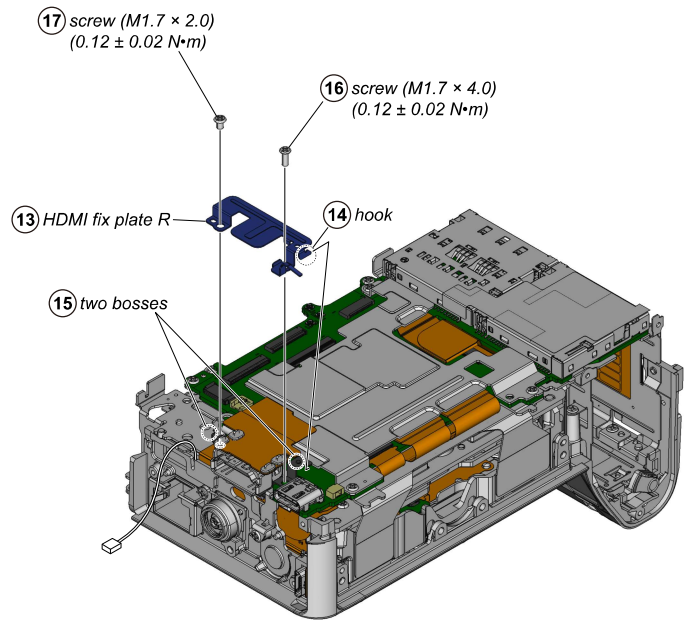
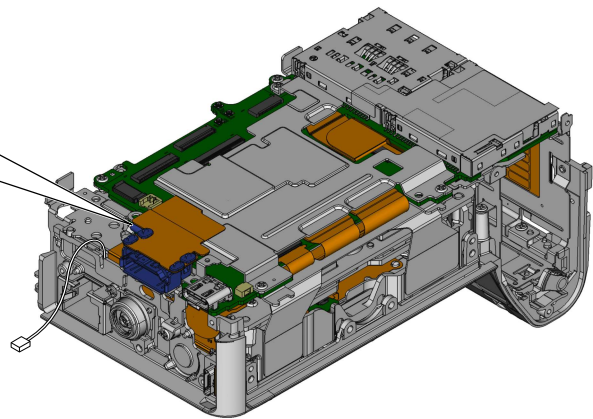
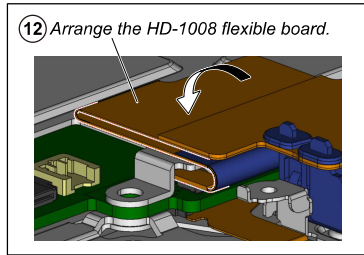
⑪ two screws (M1.7 × 3.0)
(0.12 ± 0.02 N·m)

⑨ BTOB fix plate

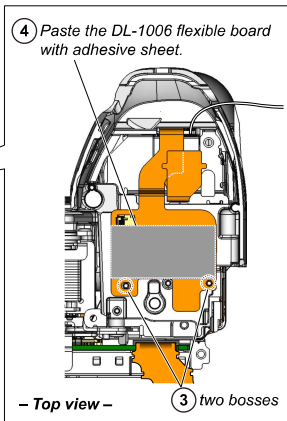
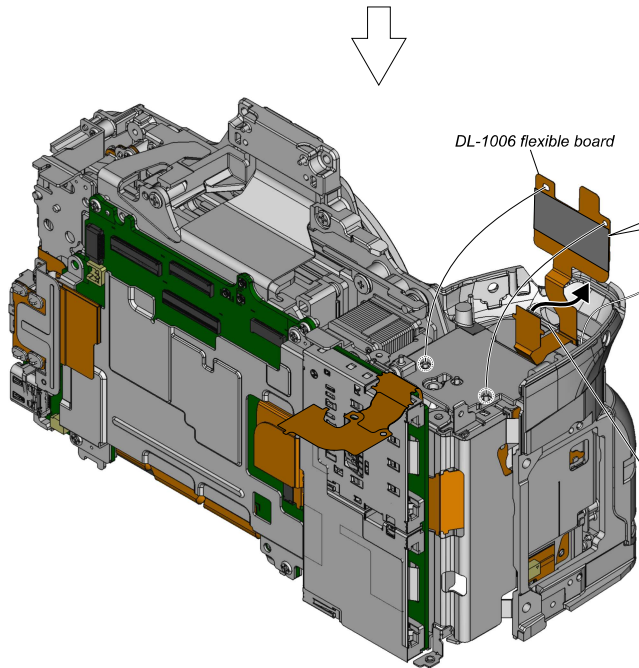
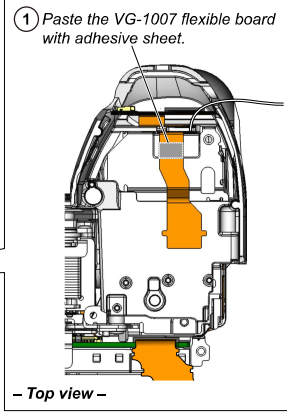
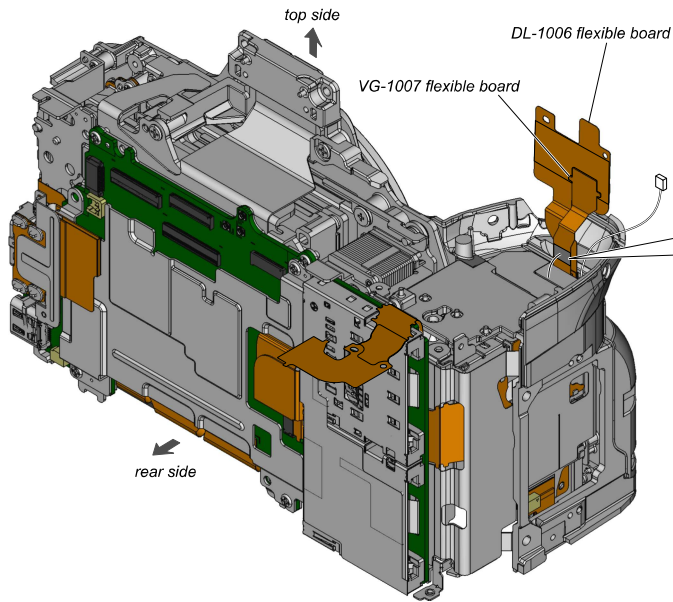
⑪ screw (M1.7 × 3.0)
(0.12 ± 0.02 N·m)

⑩ two bosses

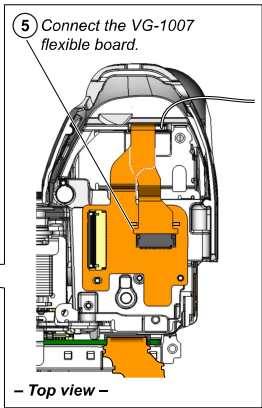
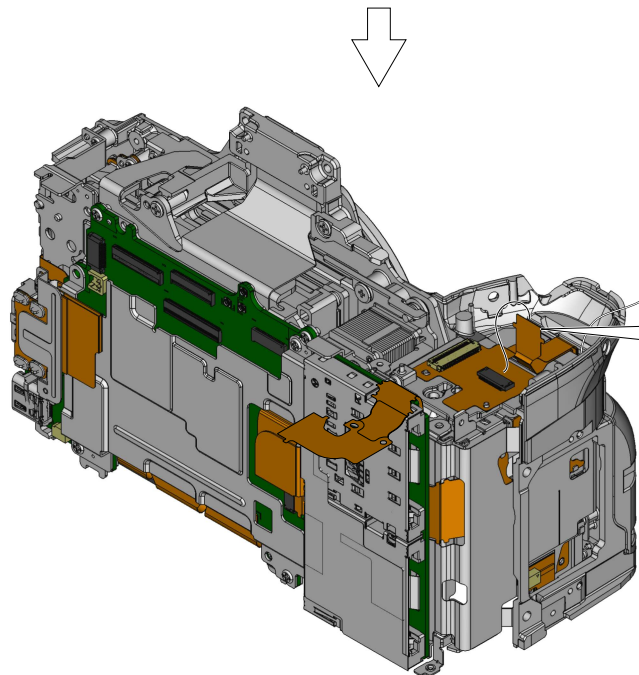


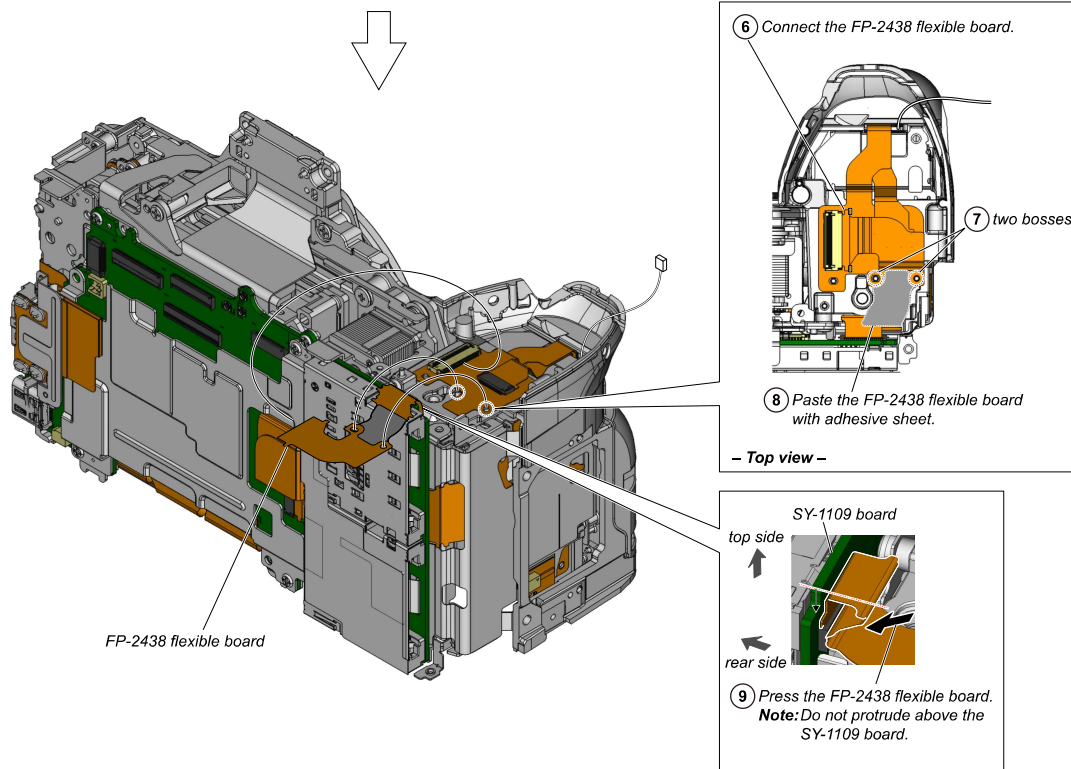


14. ARRANGE THE FLEXIBLE BOARDS OF THE BTH HOLDER PART

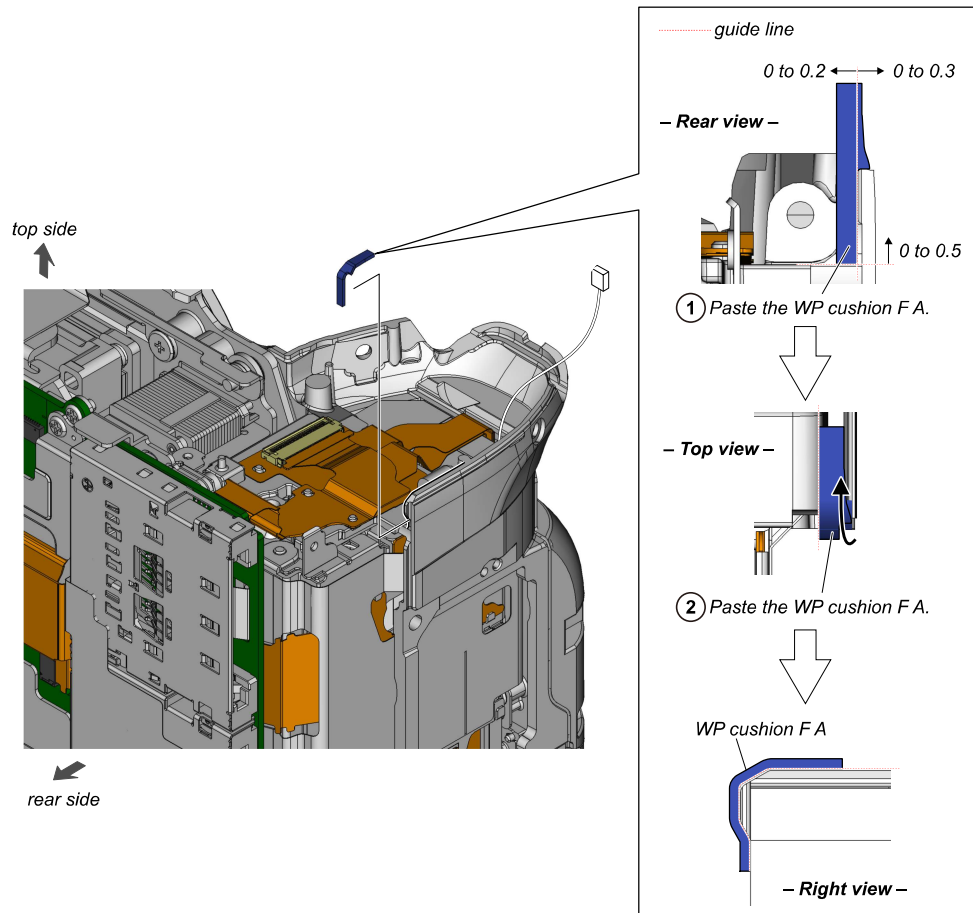


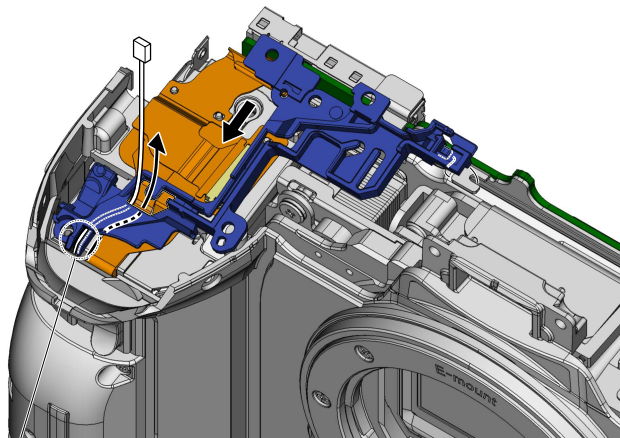
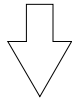
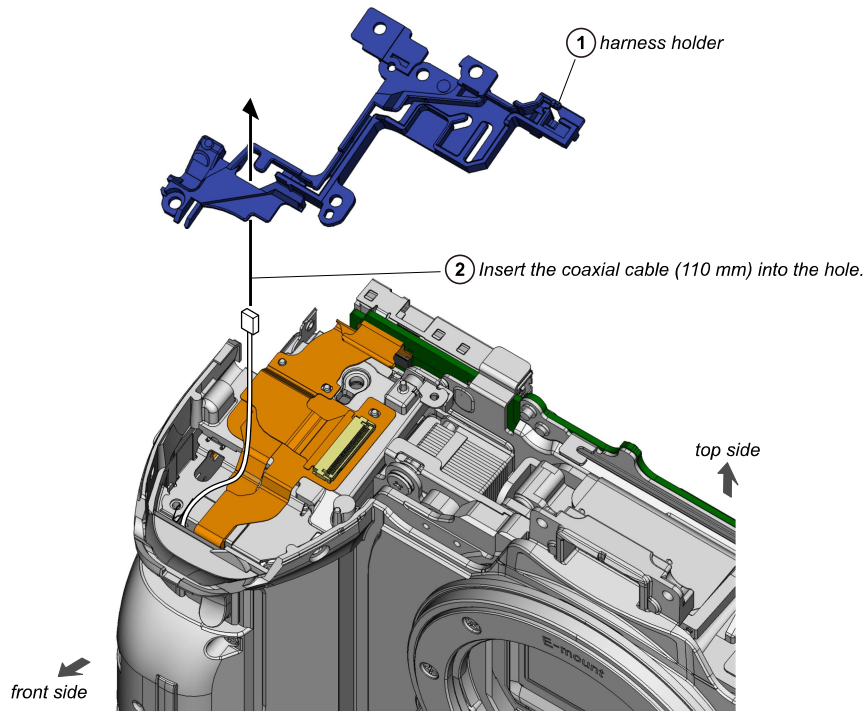
② Arrange the VG-1007 flexible board on the back side of the DL-1006 flexible board.



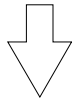


15. WP CUSHION F A

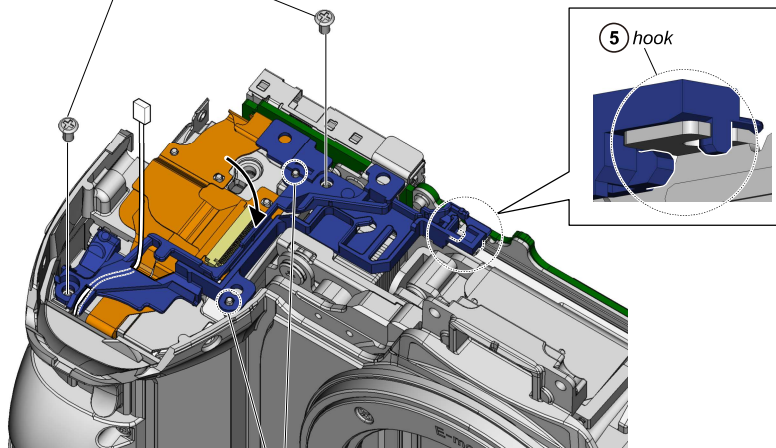




3 Fit the coaxial cable (110 mm) cable in the groove.

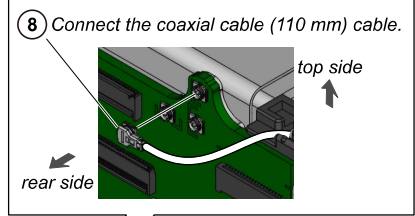
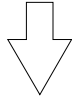


6 two screws (M1.7 × 3.0)
(0.12 ± 0.02 N·m)

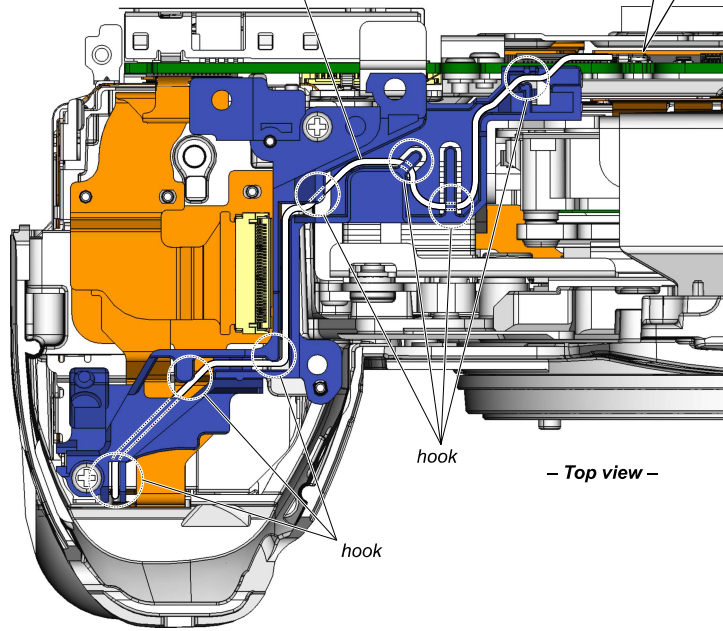




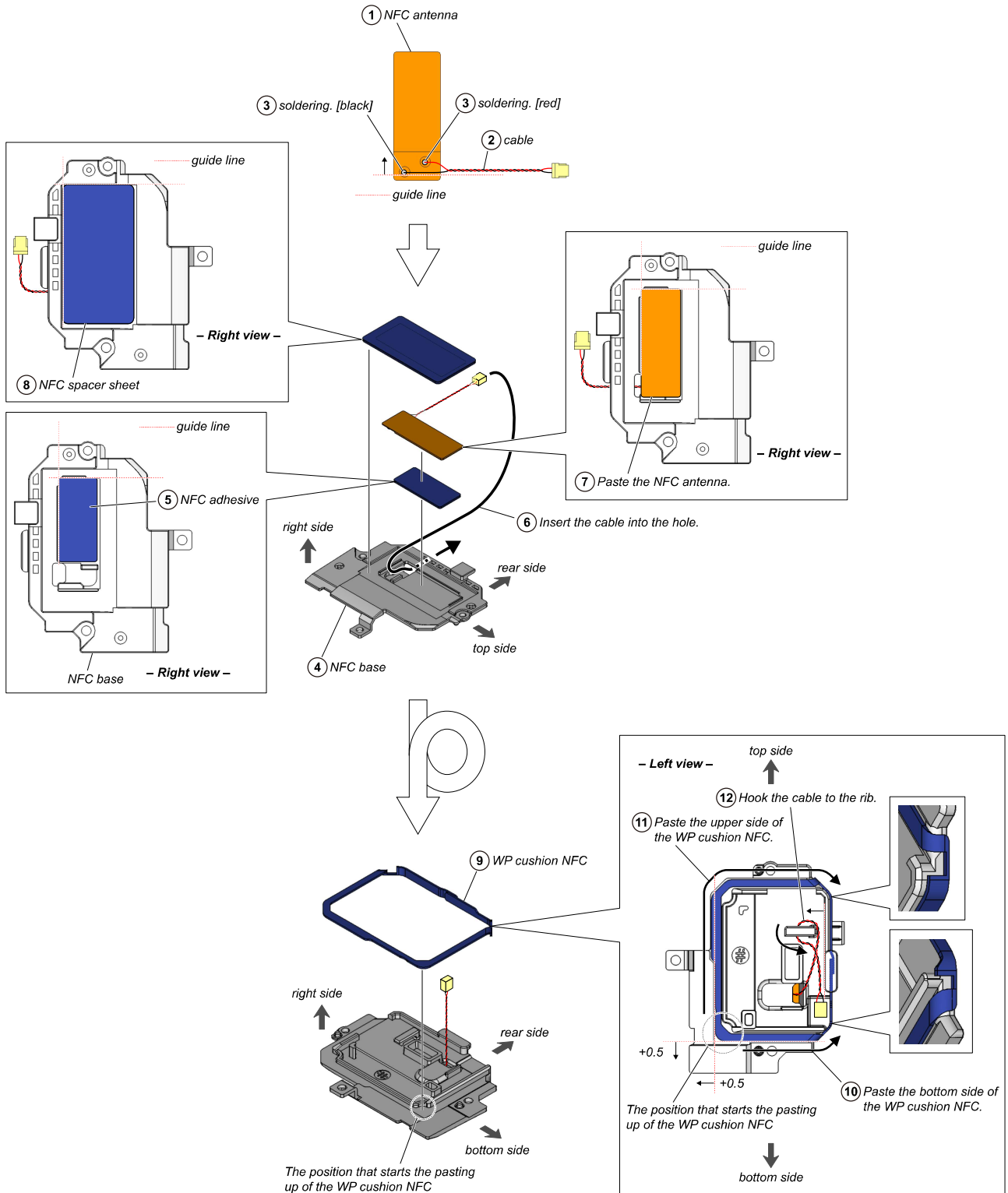
4 two bosses



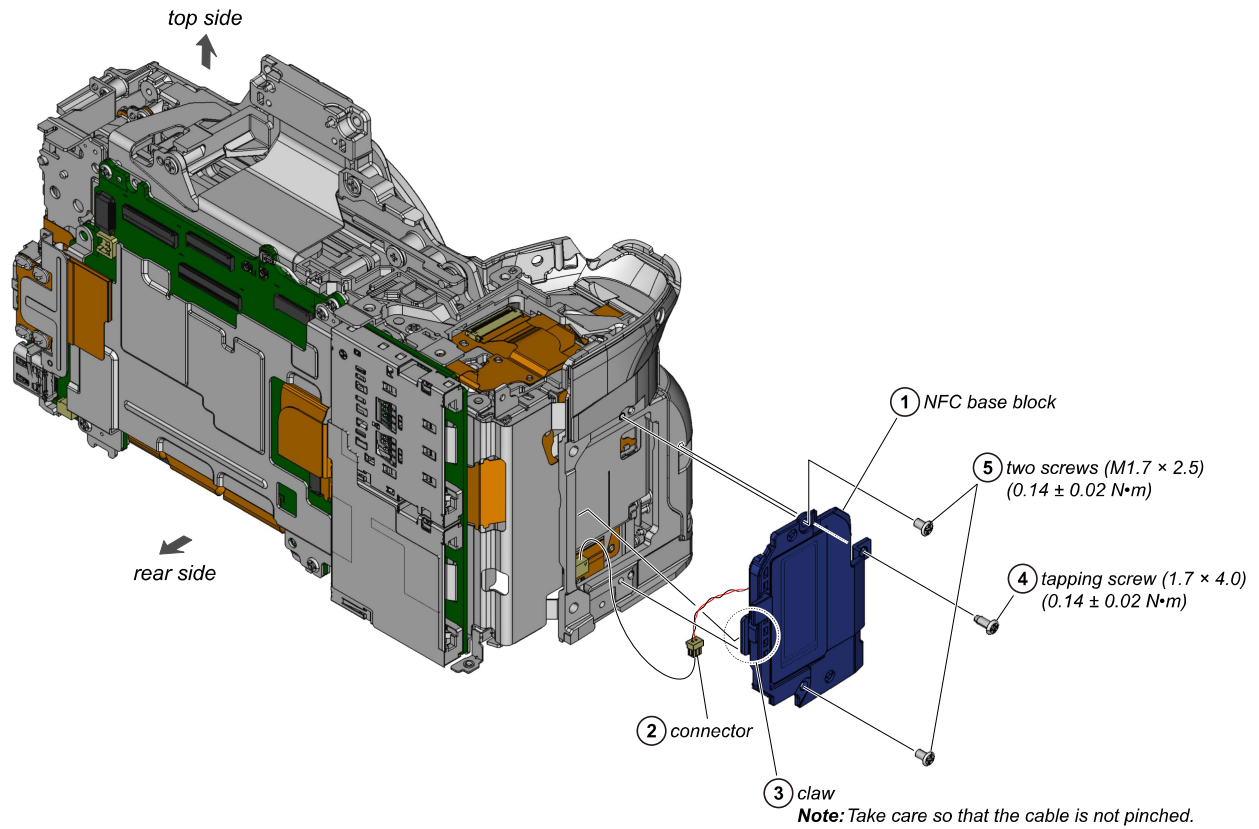
7 Arrange the coaxial cable (110 mm) cable.



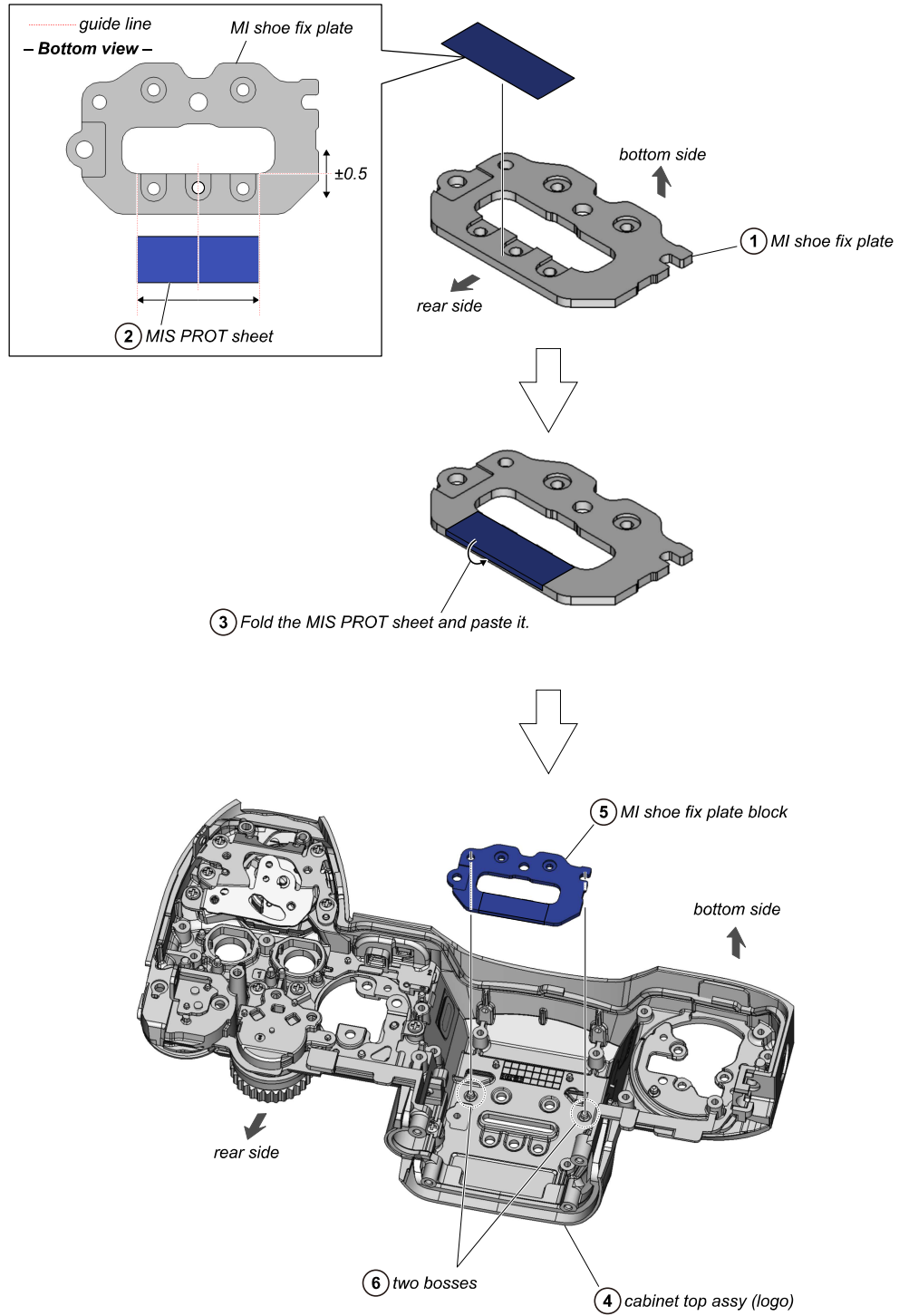
17. NFC ANTENNA



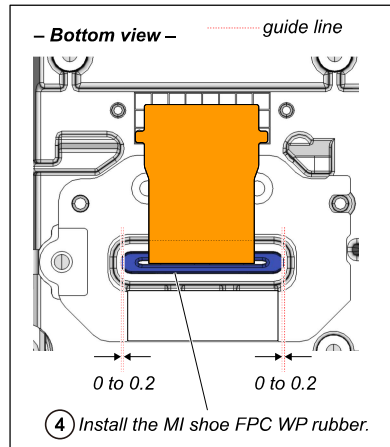
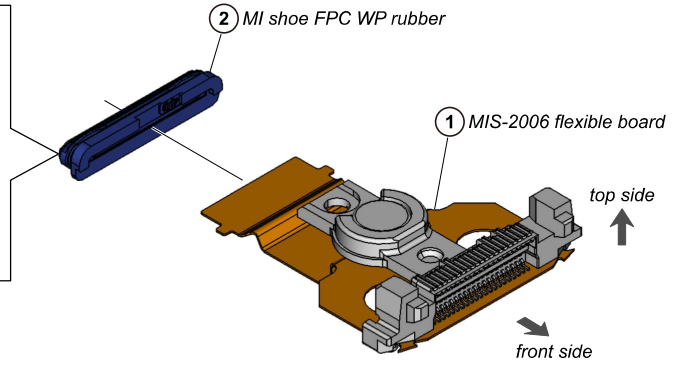
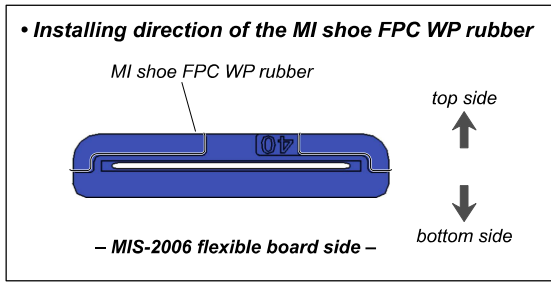
18. NFC BASE BLOCK



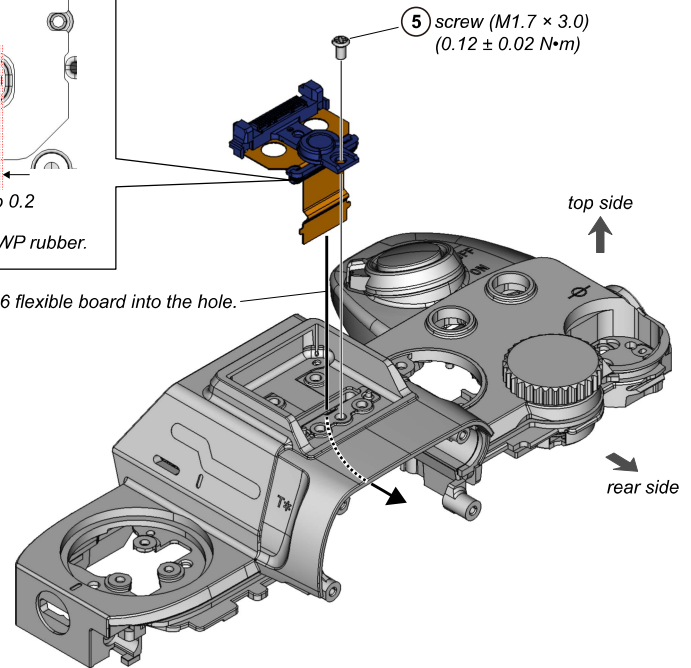
19. MI SHOE FIX PLATE



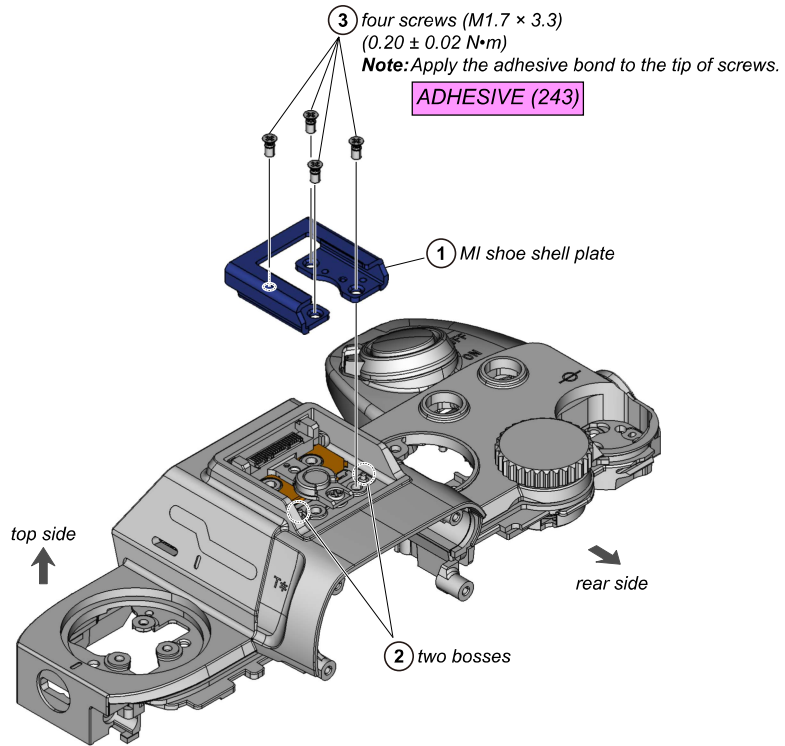
20. MIS-2006 FLEXIBLE BOARD



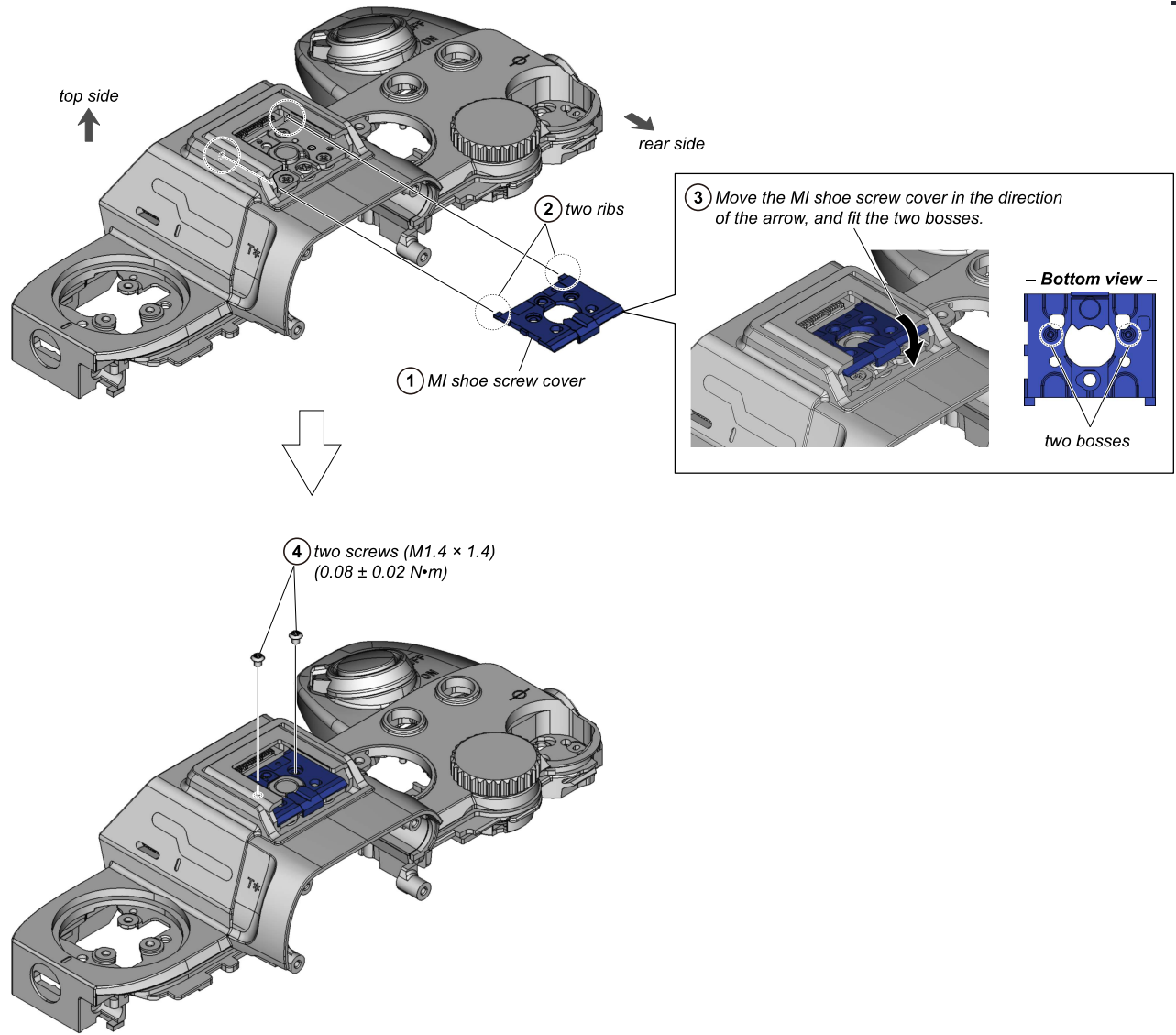
③ Insert the MIS-2006 flexible board into the hole.



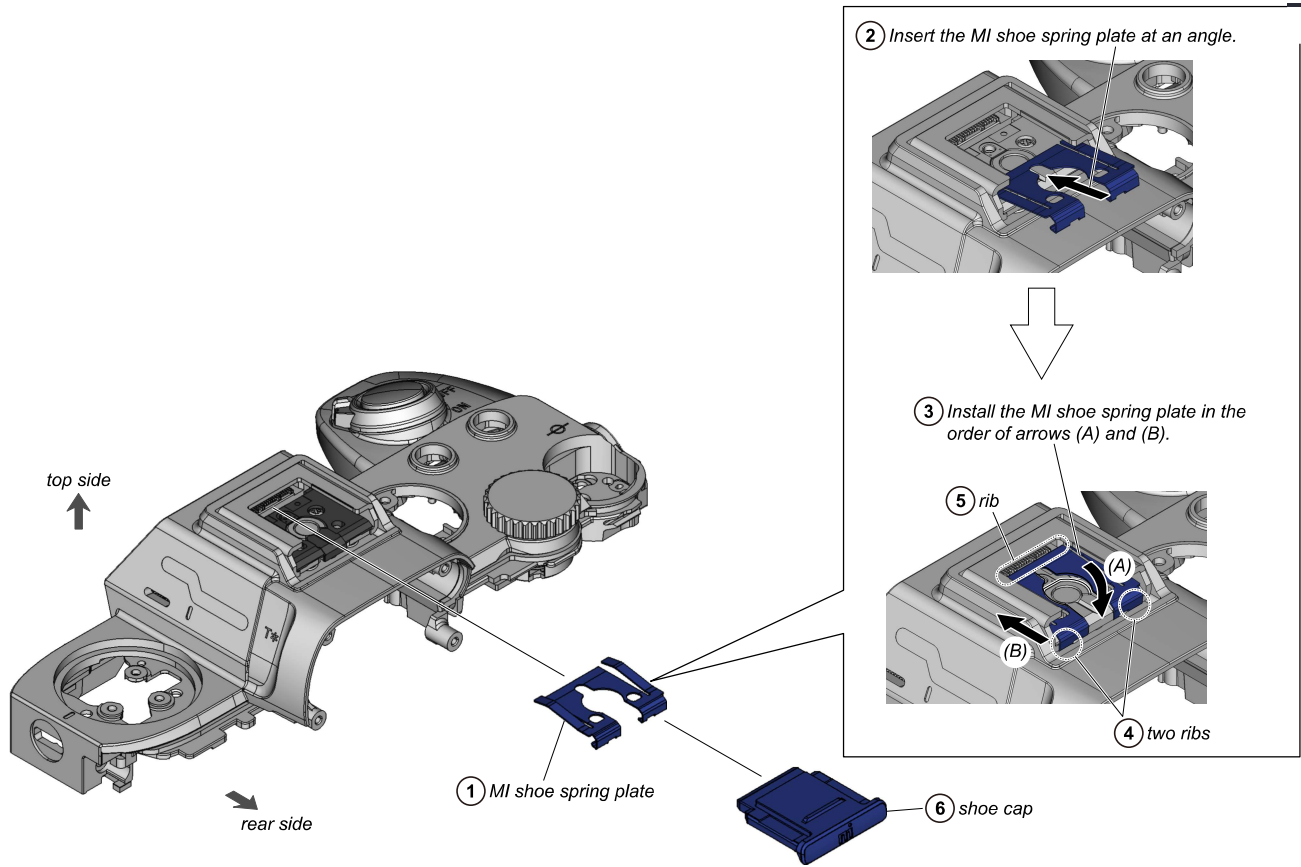
21. MI SHOE SHELL PLATE

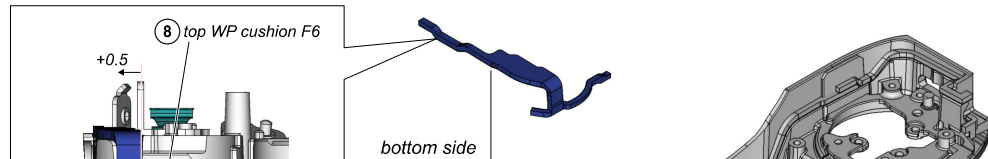
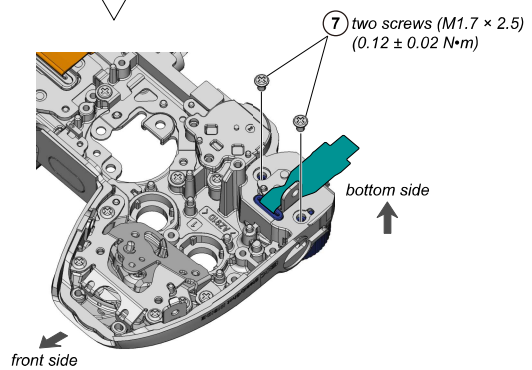
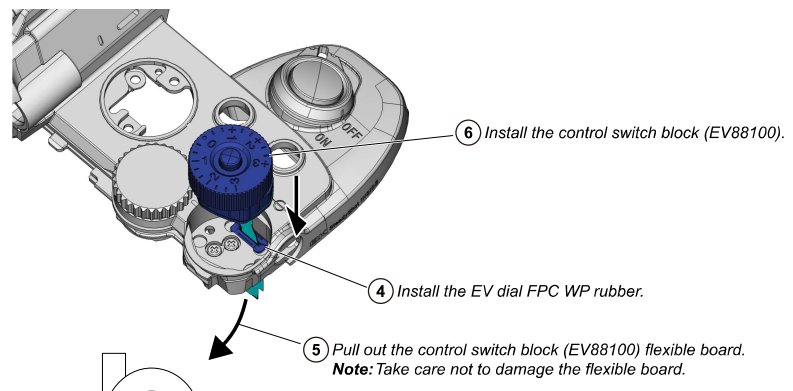
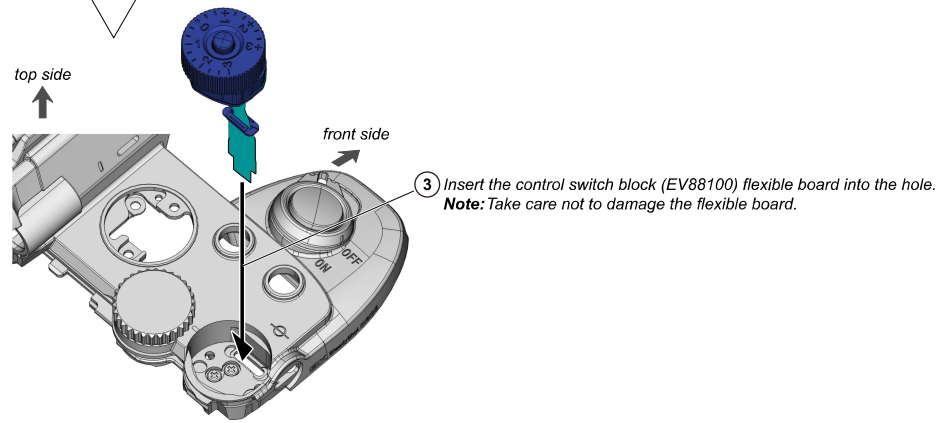
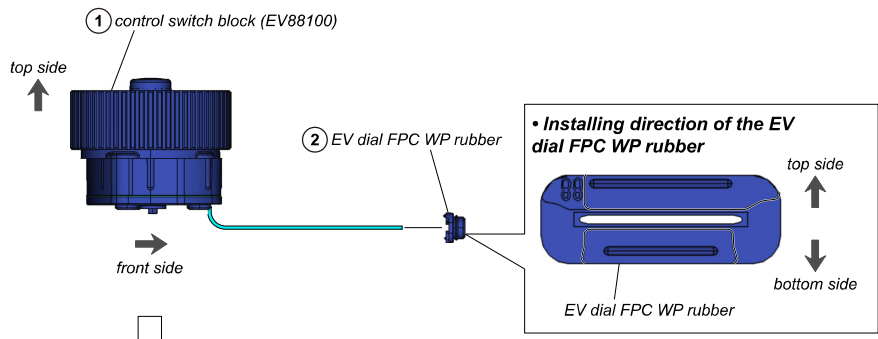


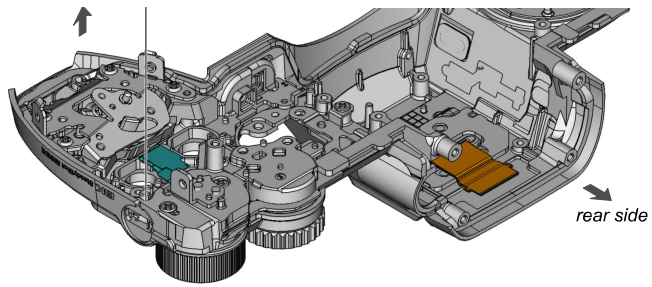
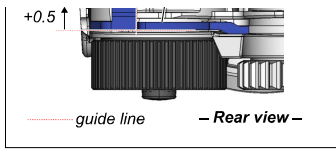
22. MI SHOE SCREW COVER



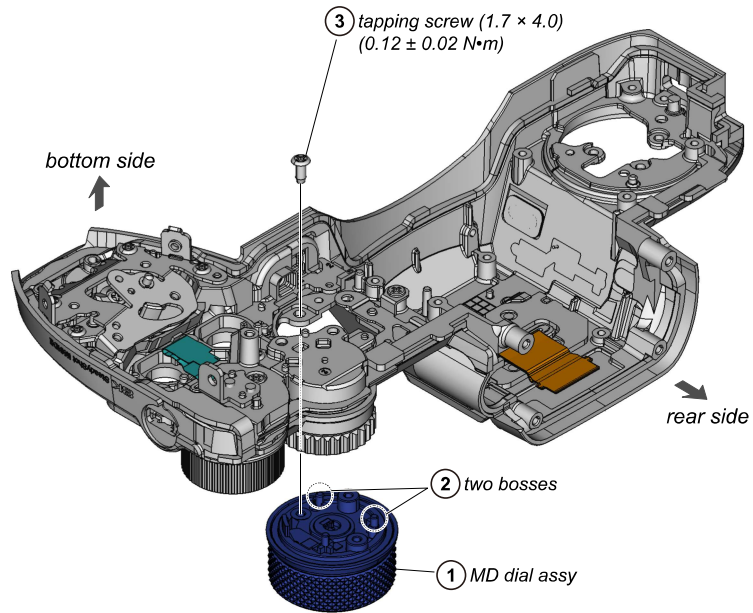
23. MI SHOE SPRING PLATE



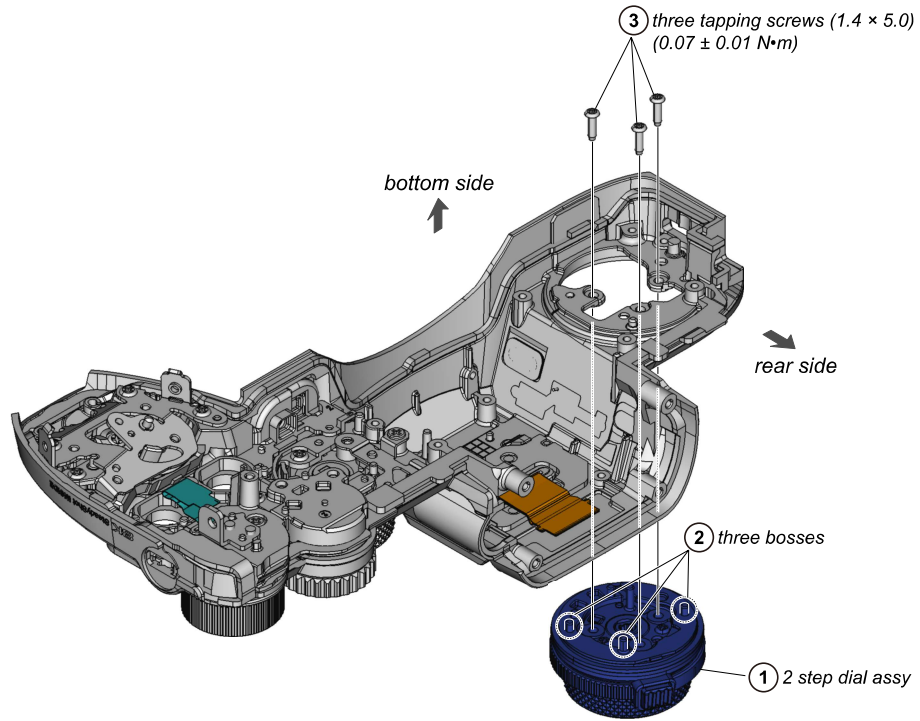


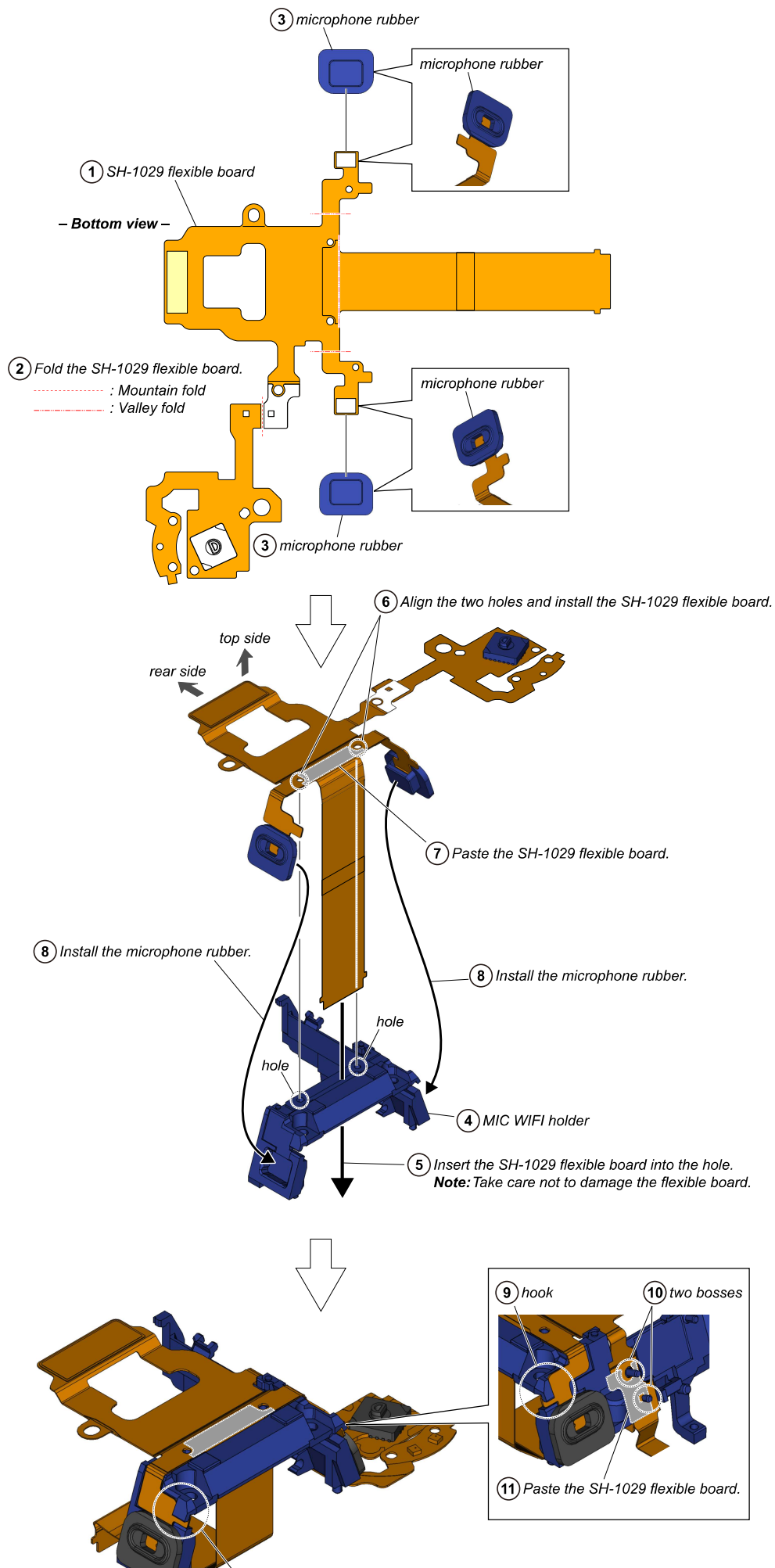


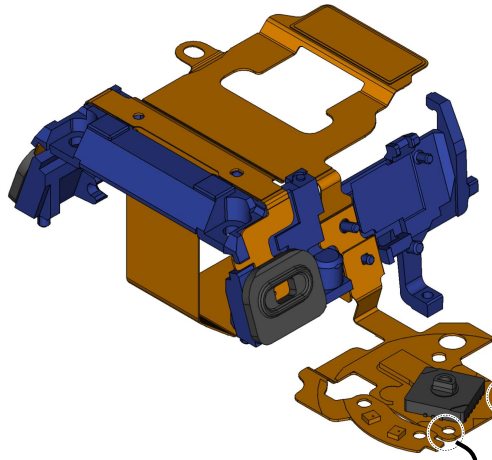
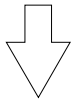
25. MD DIAL ASSY



26. 2 STEP DIAL ASSY



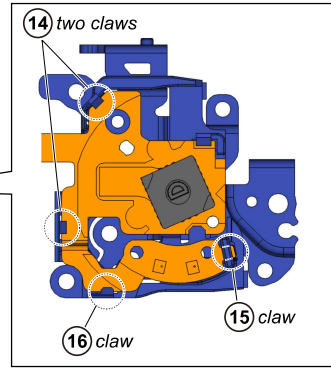




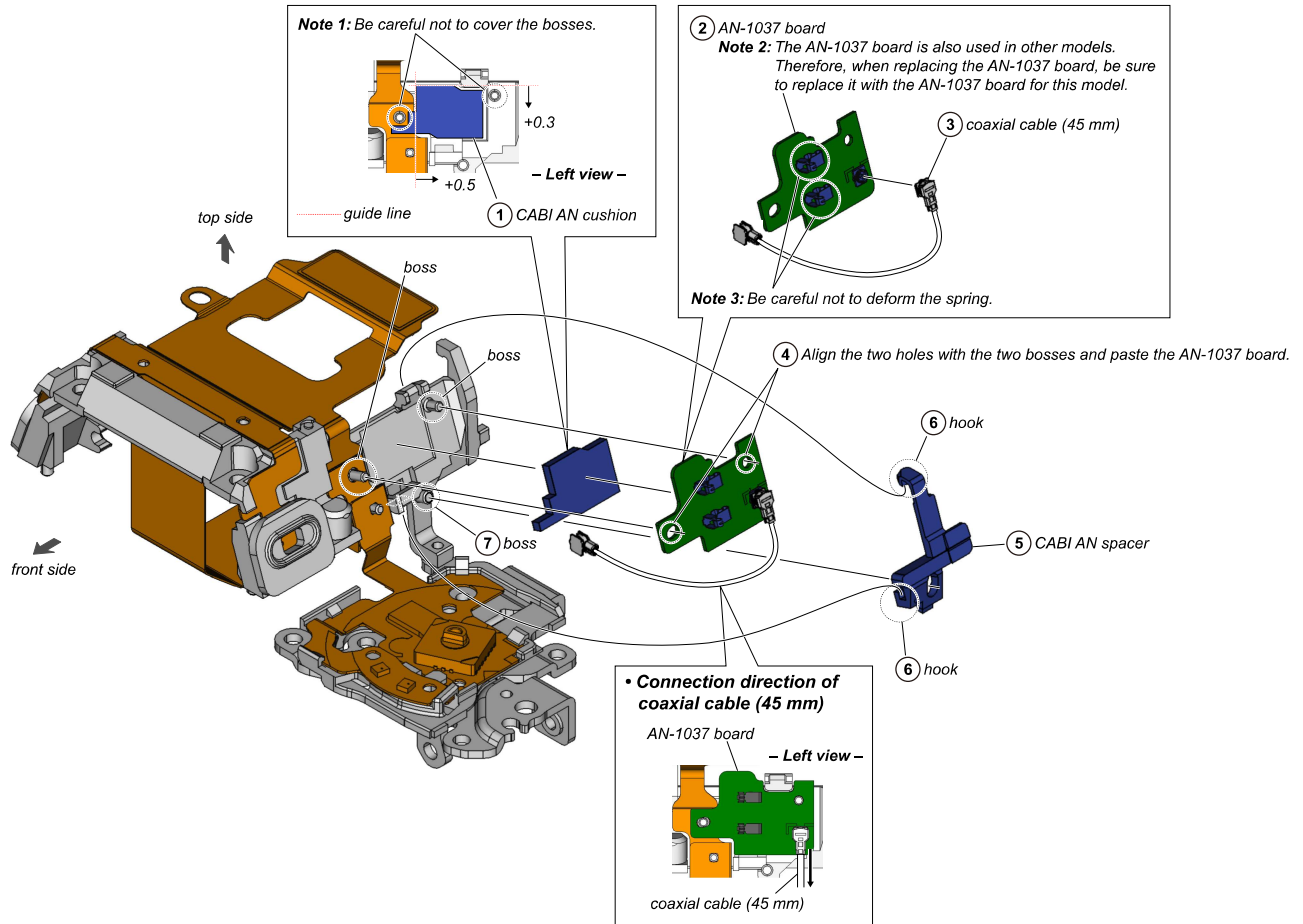
12 top fix plate L assy

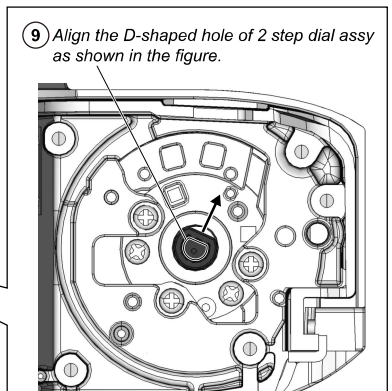
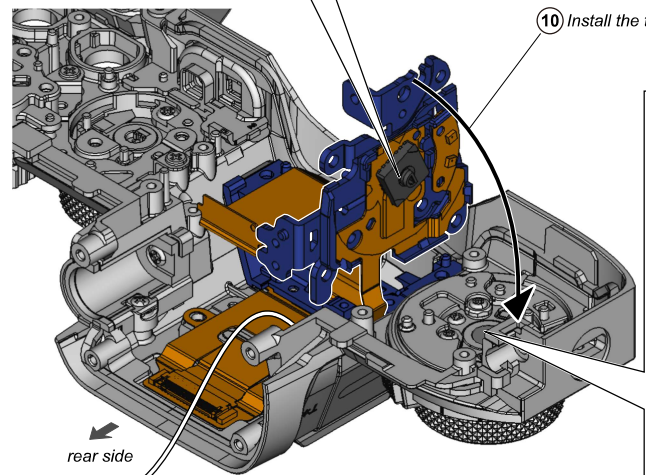
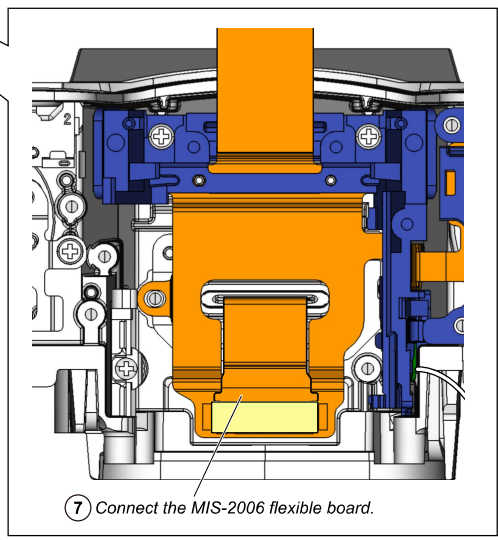
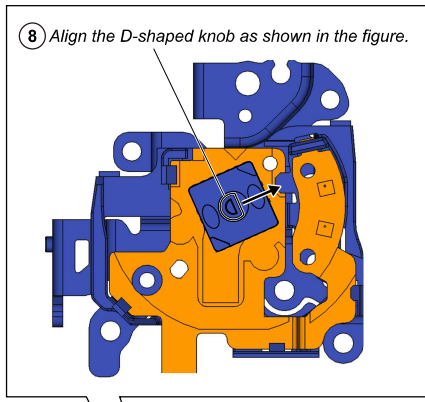
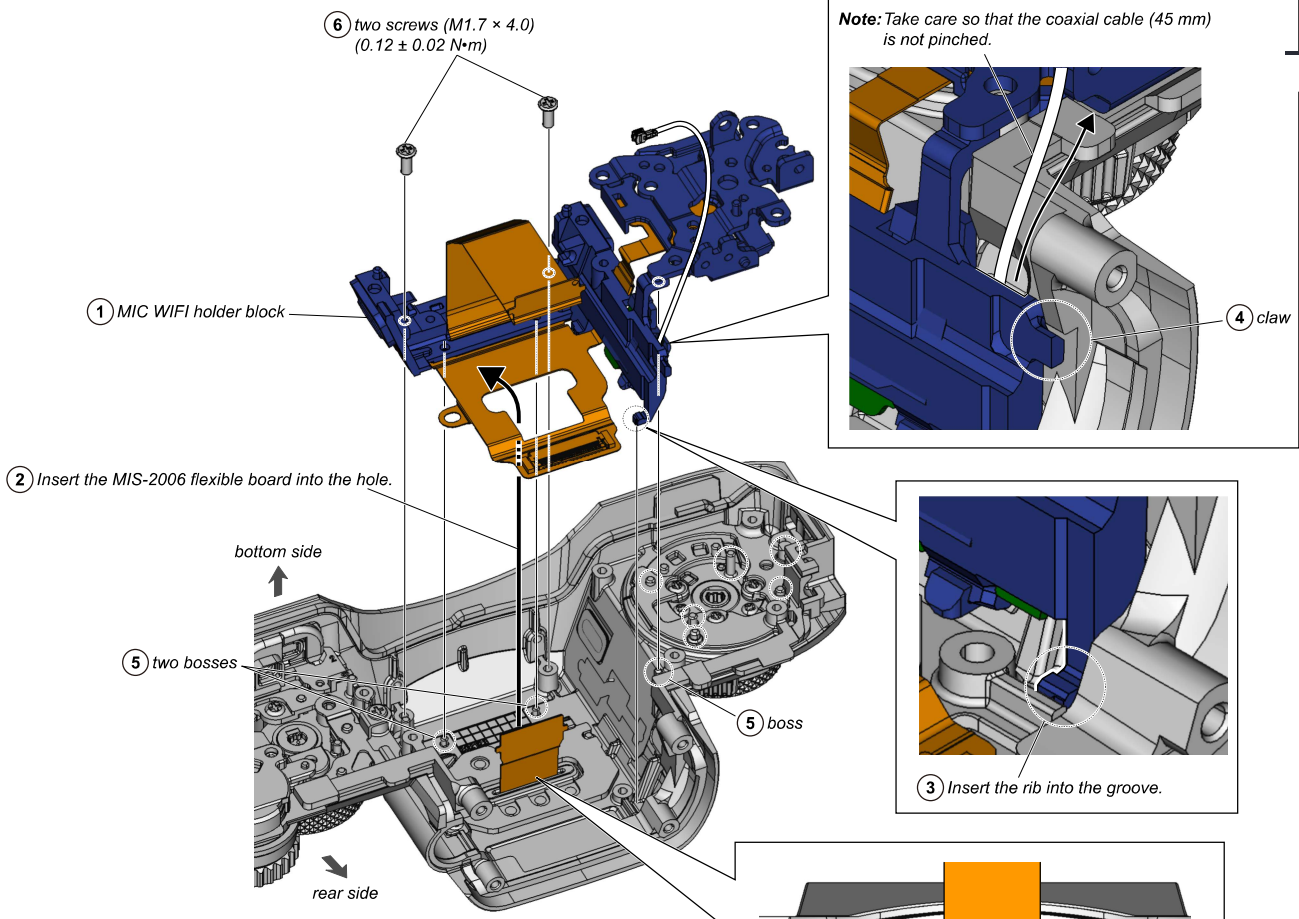
two claws

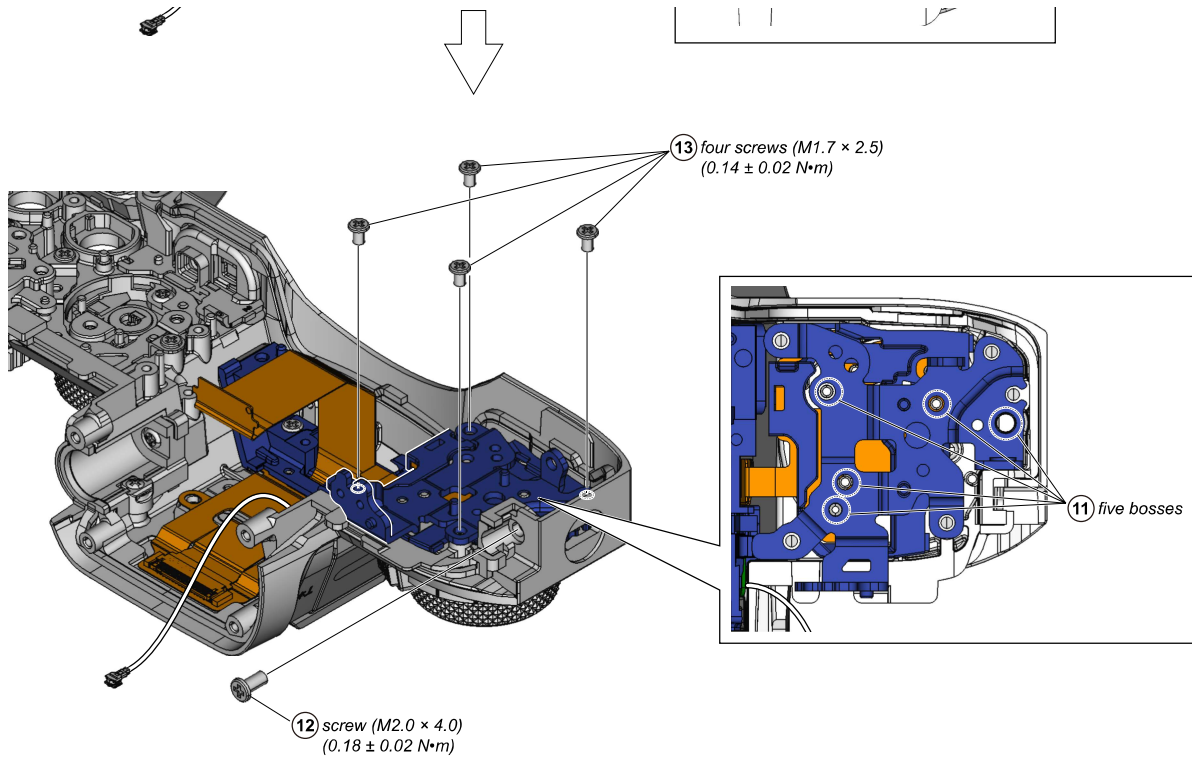
13 Insert the SH-1029 flexible board to the two claws.



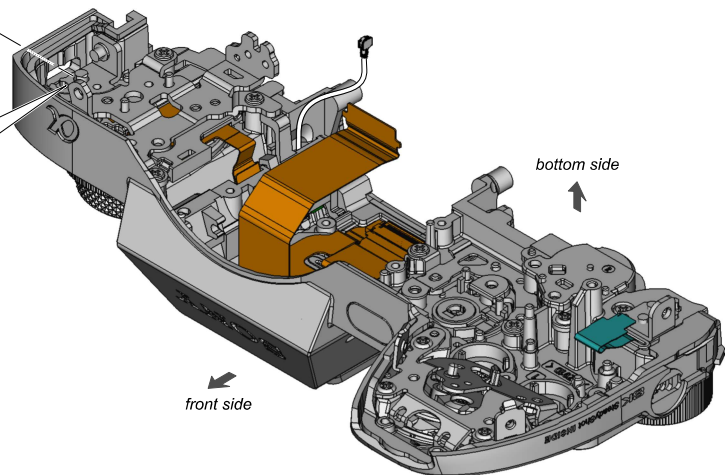
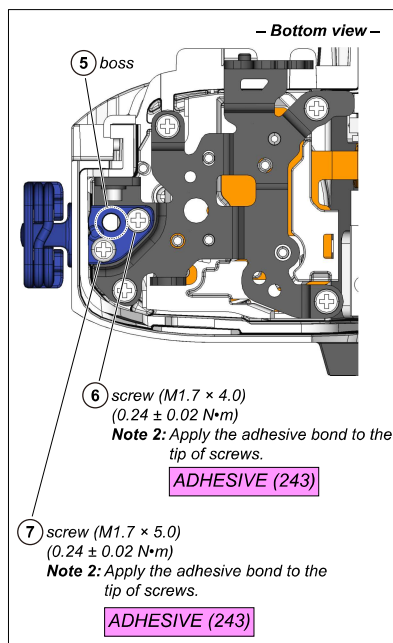
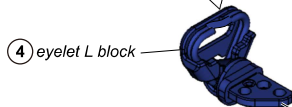
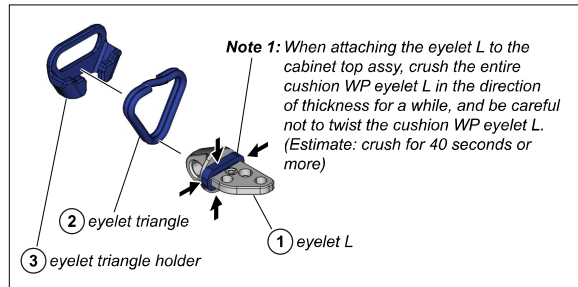
28. AN-1037 BOARD



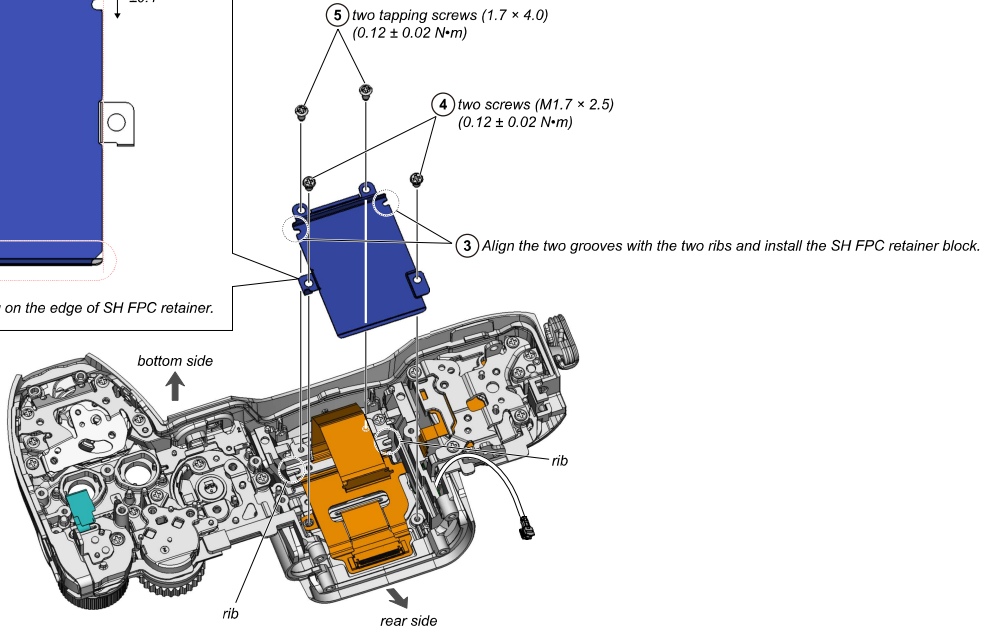
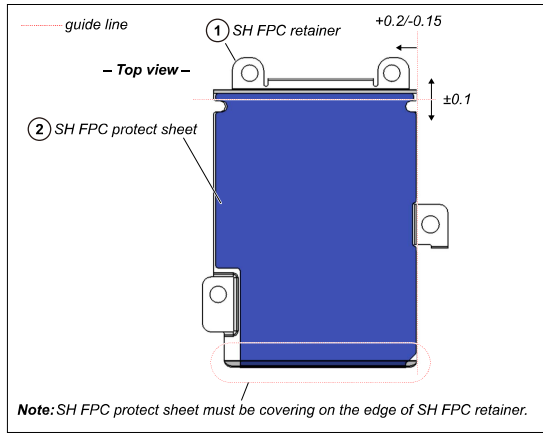


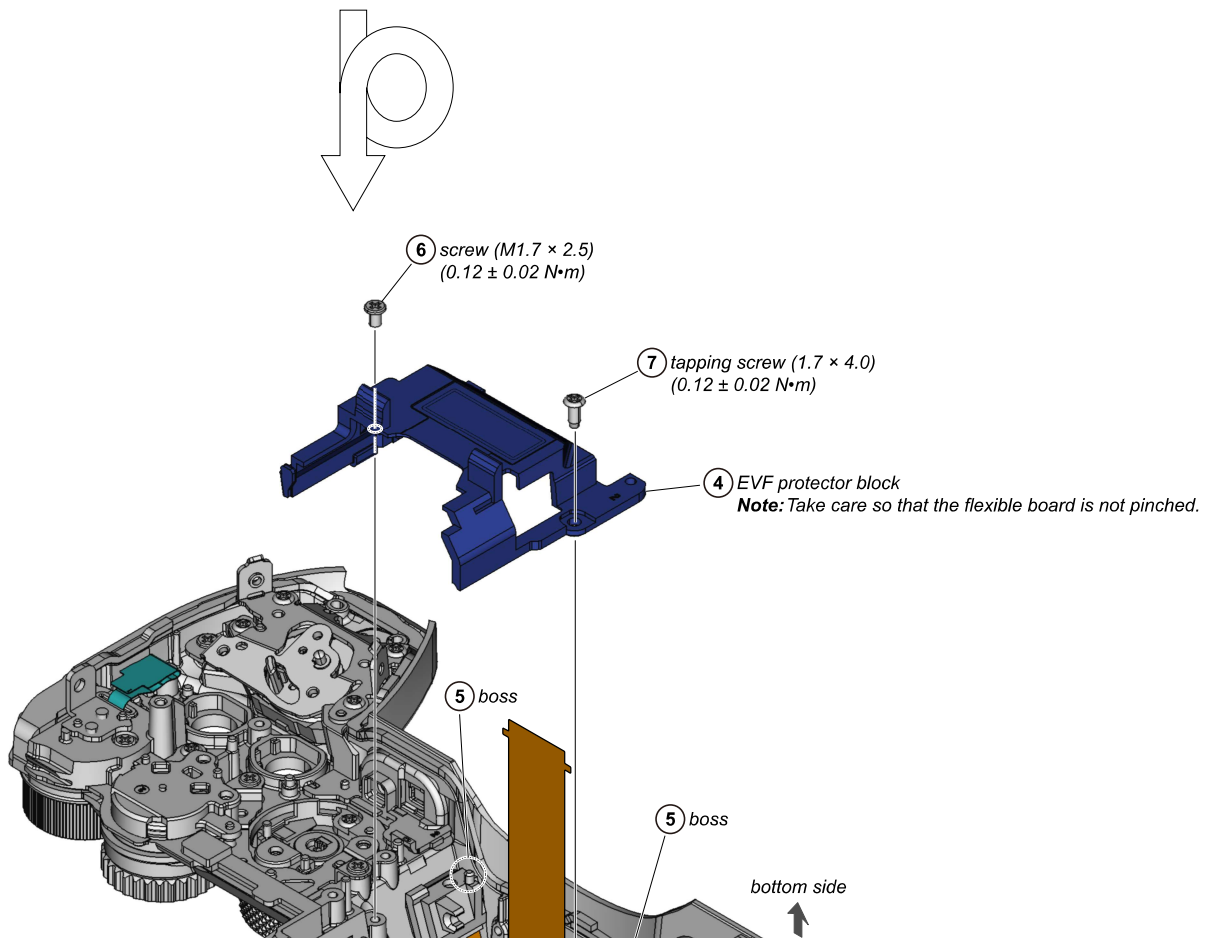
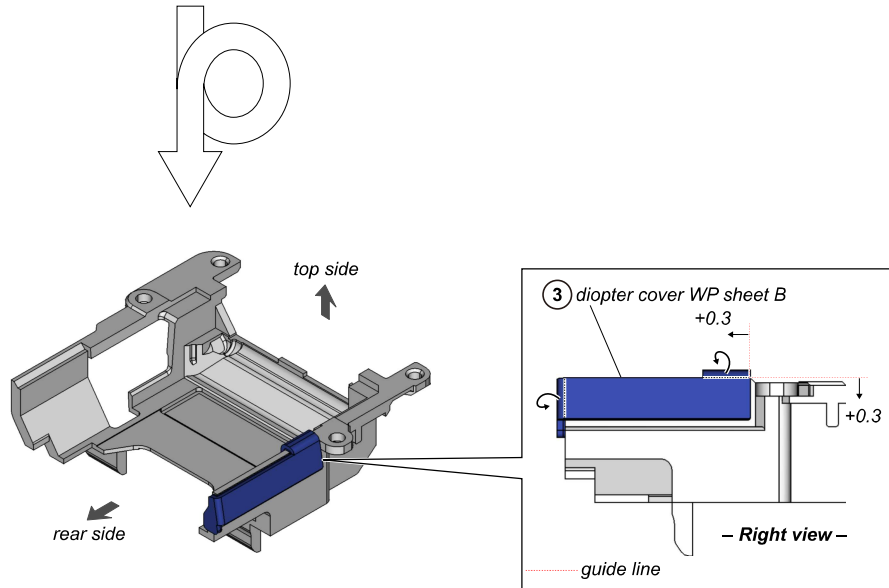
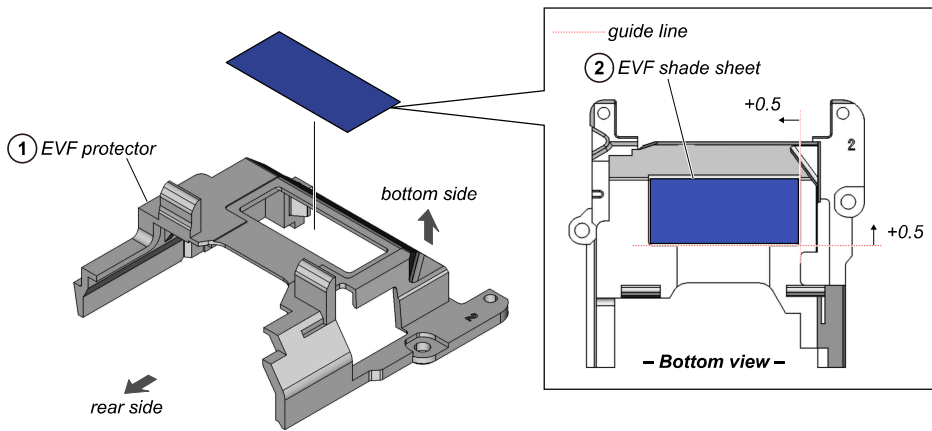


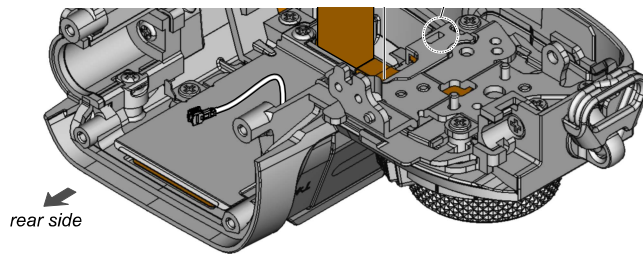
30. EYELET L



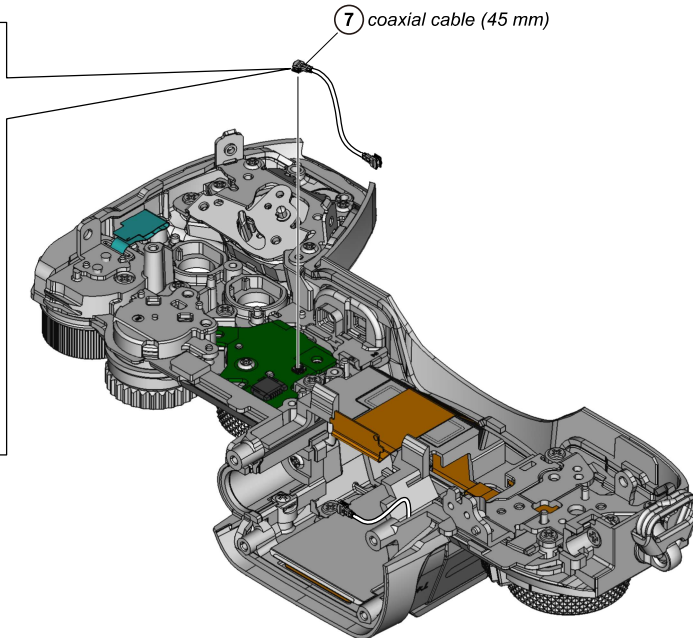
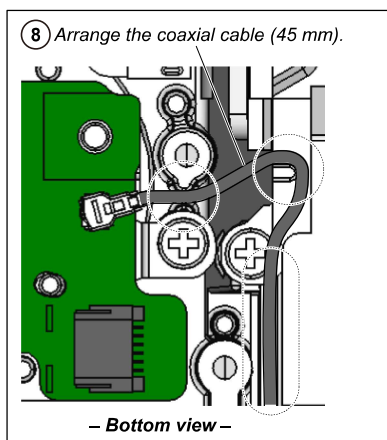
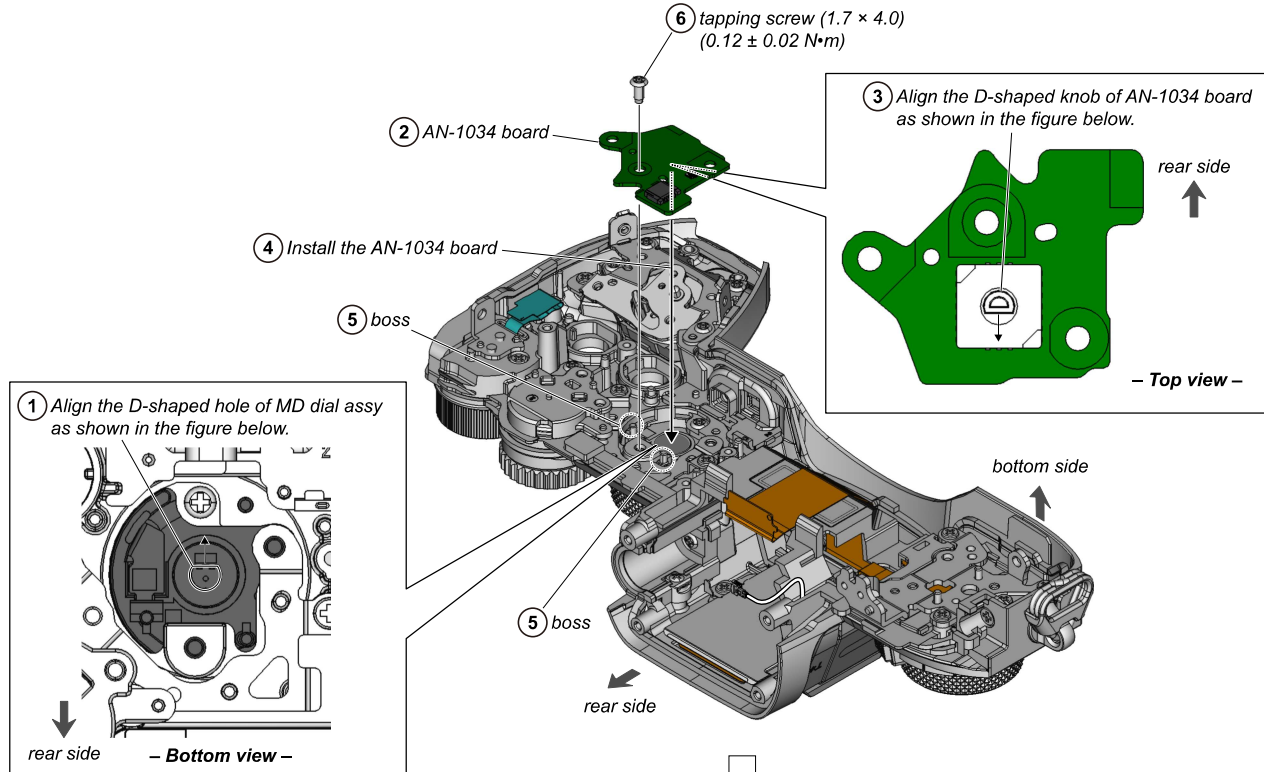
31. SH FPC RETAINER



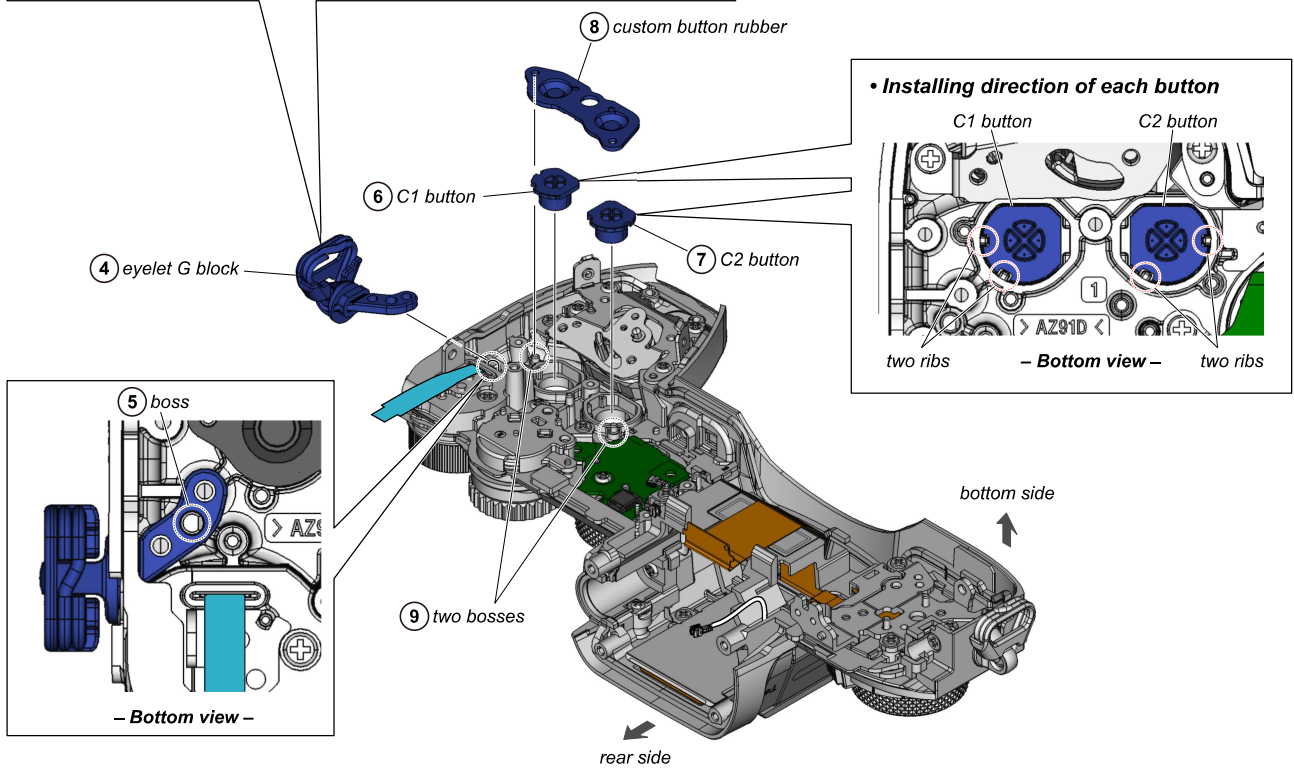
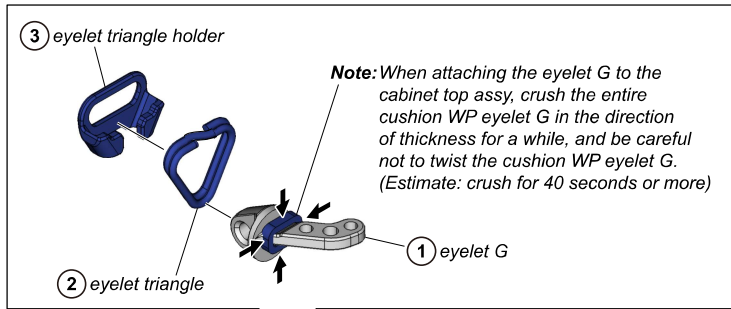


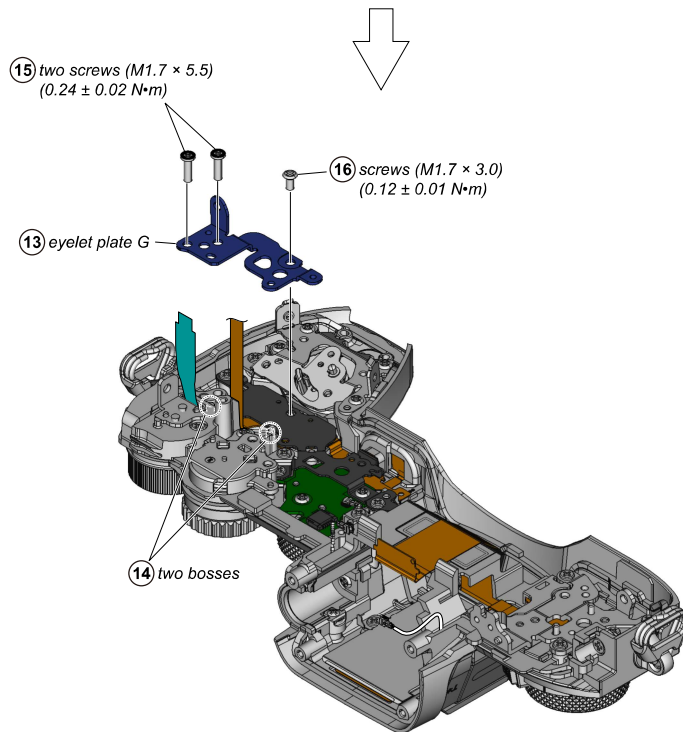
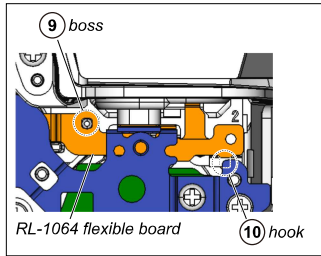
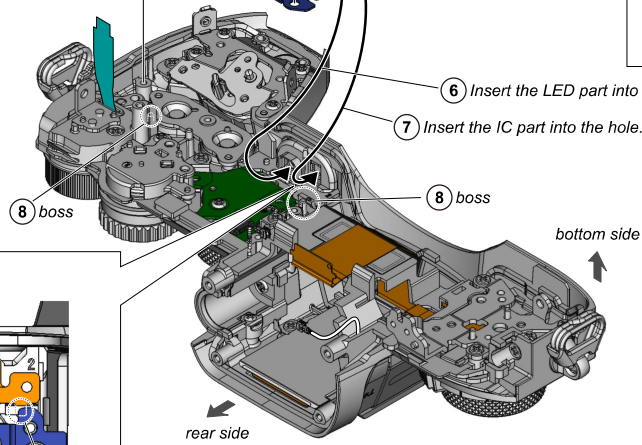
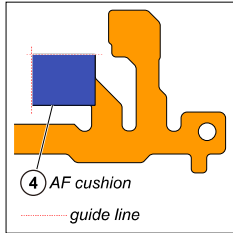
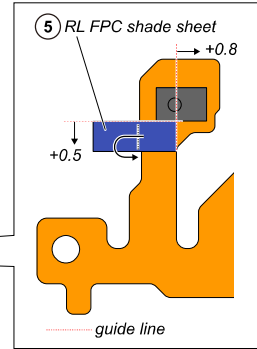
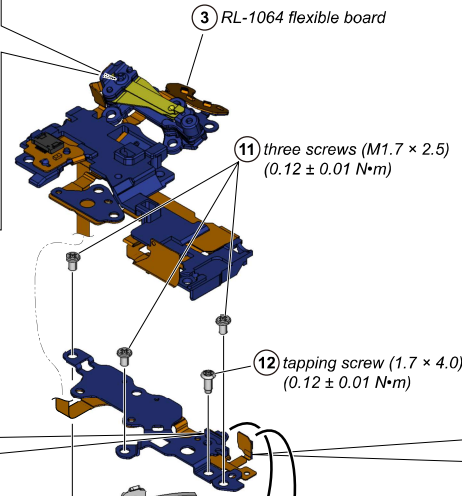
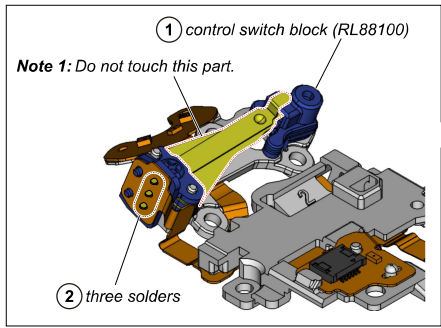


33. AN-1034 BOARD



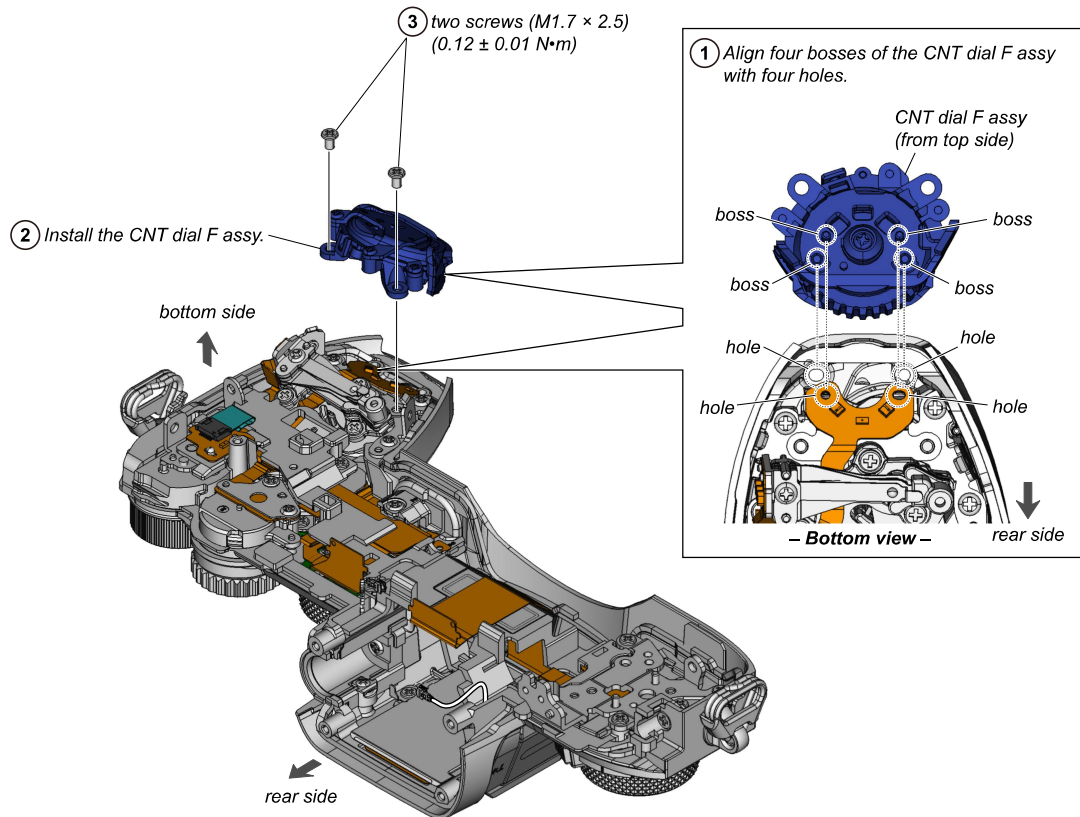
34. EYELET G, C1/C2 BUTTON

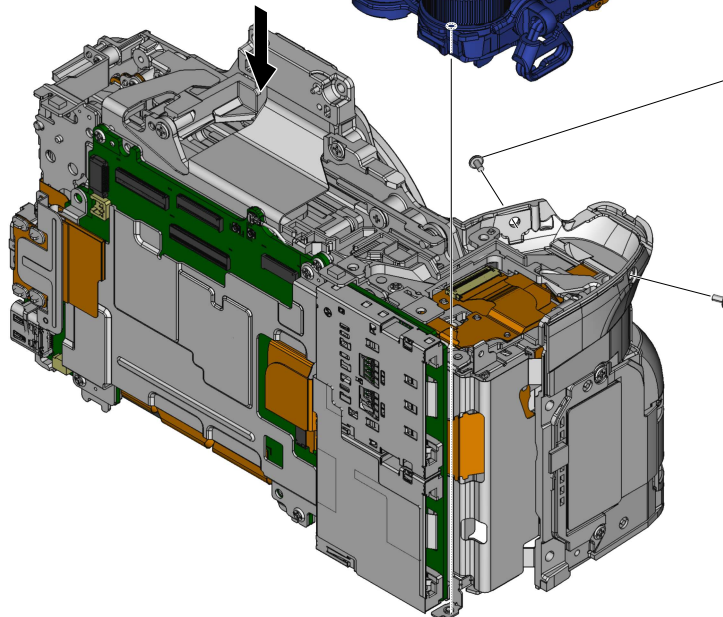
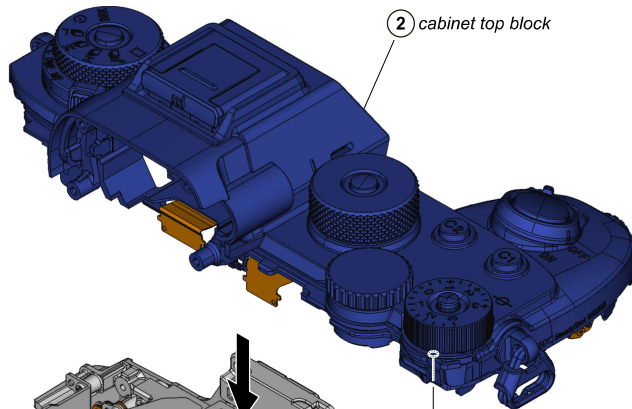
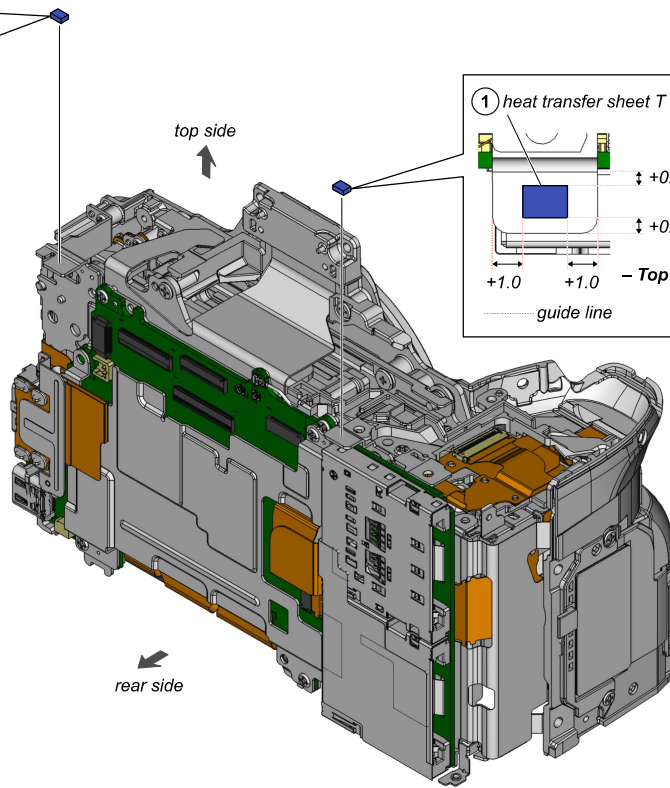
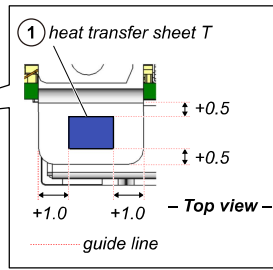
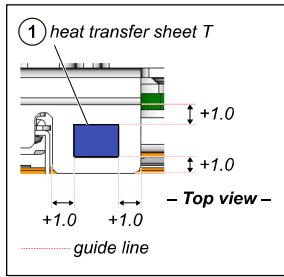




Note 1: Do not touch this part

36. CNT DIAL F ASSY

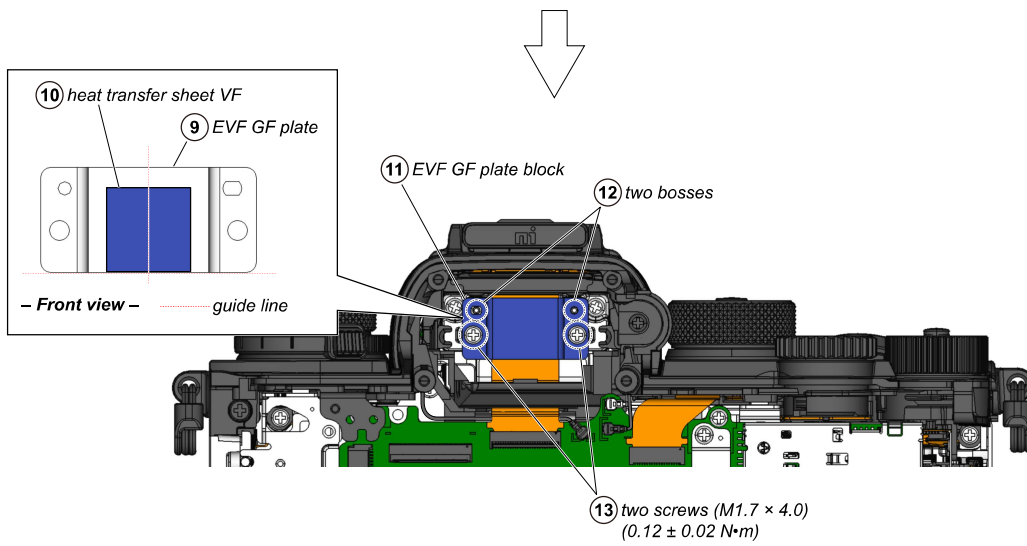
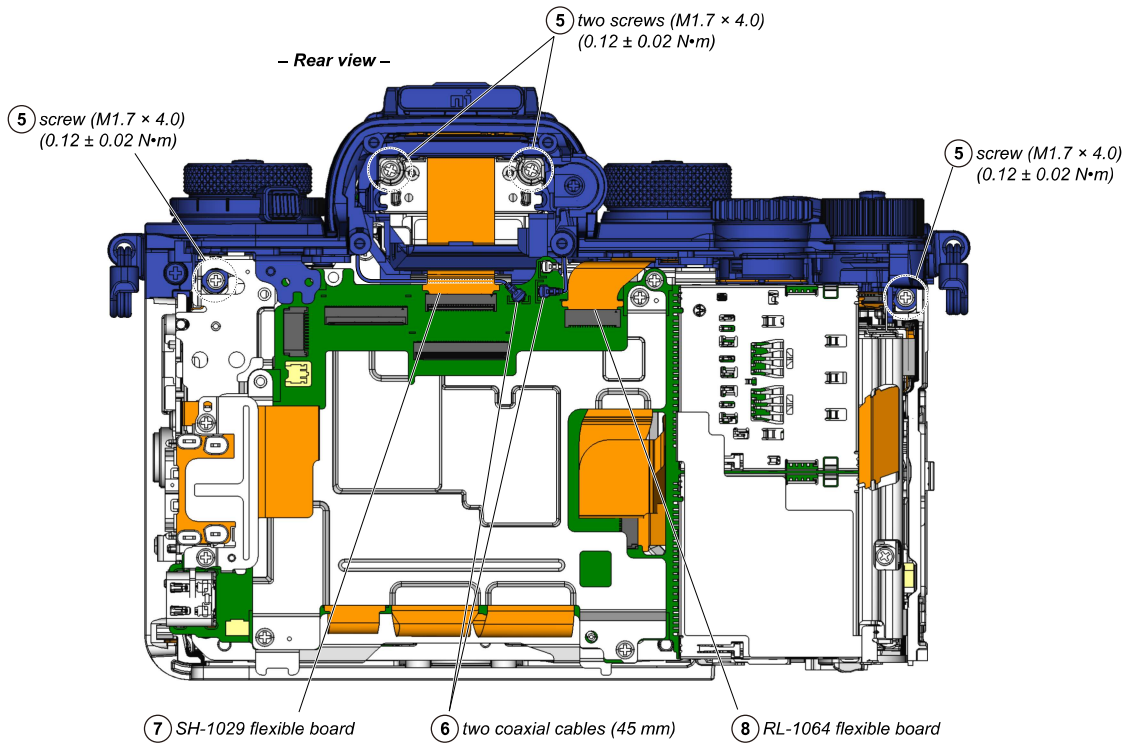




③ two screws (M1.7 × 2.5)
(0.14 ± 0.02 N·m)

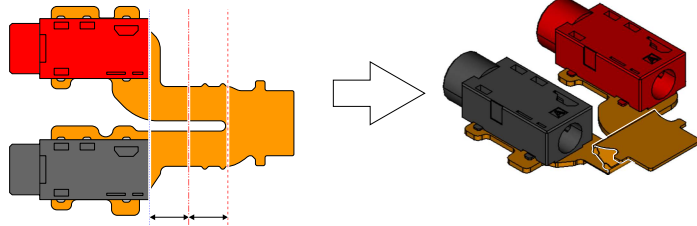
④ screw (M1.7 × 4.0)
(0.14 ± 0.02 N·m)





① Fold the JK-1028 flexible board.

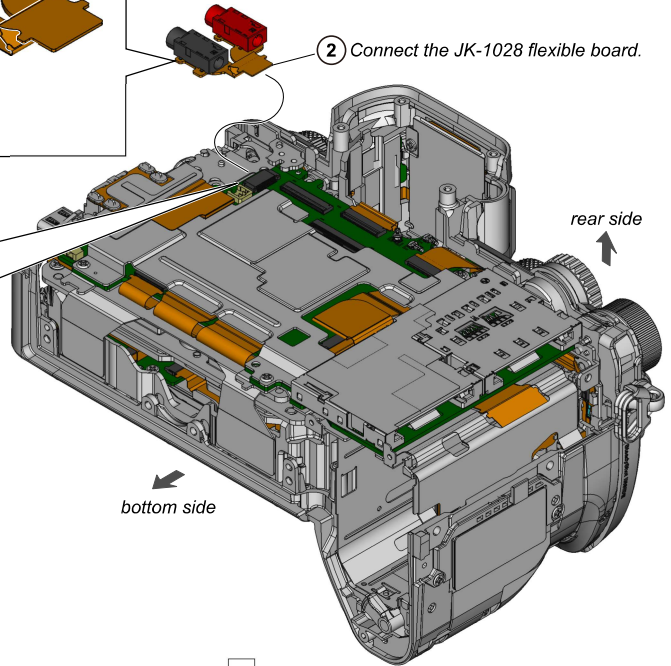
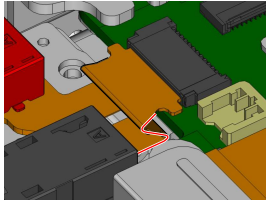
..... : Mountain fold
..... : Valley fold



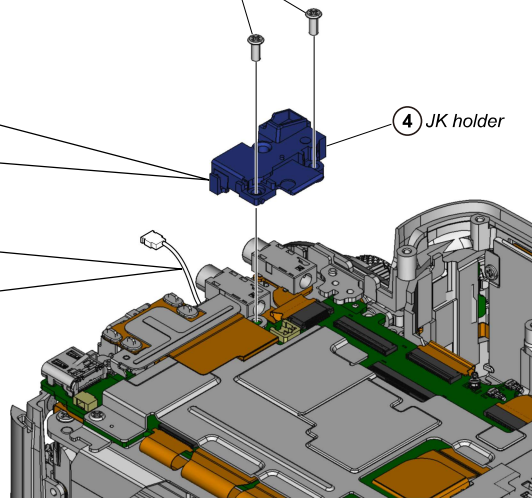
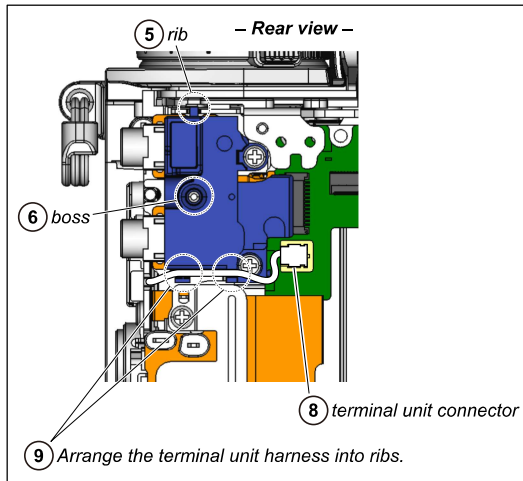
..... guide line

② Connect the JK-1028 flexible board.

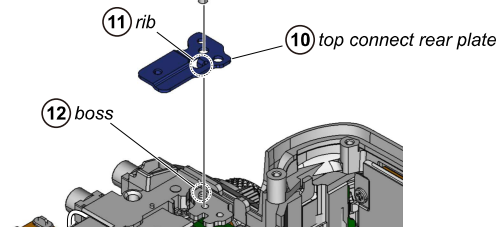
③ Arrange the JK-1028 flexible board.

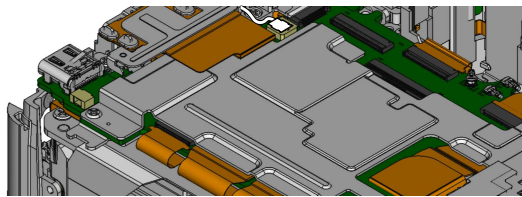


⑦ two screws (M1.7 × 4.0)
(0.12 ± 0.02 N·m)

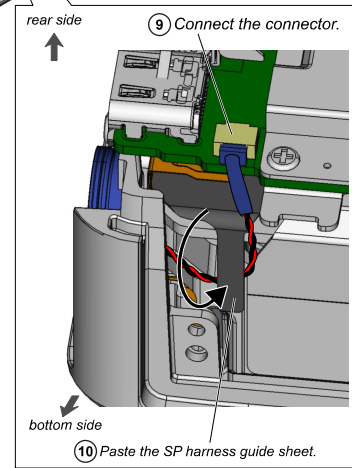
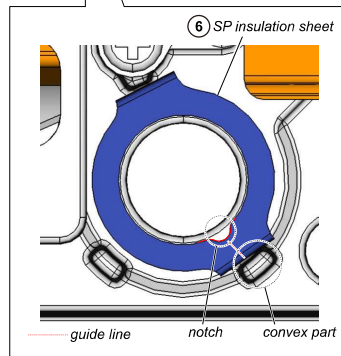
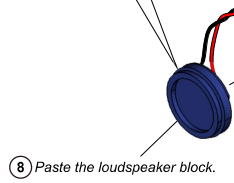
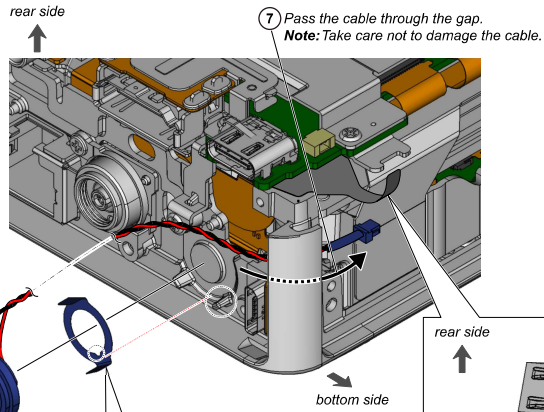
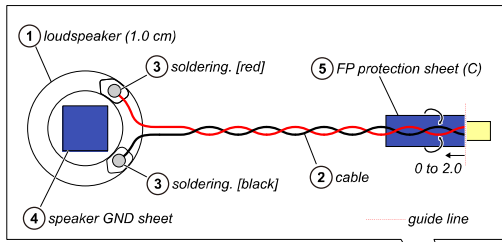


⑬ screw (M1.7 × 2.5)
(0.12 ± 0.02 N·m)

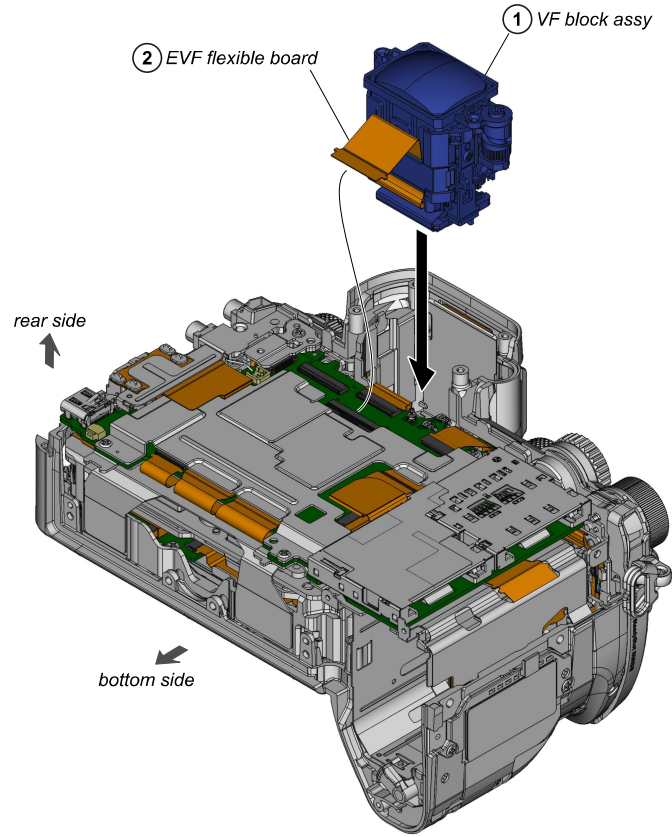




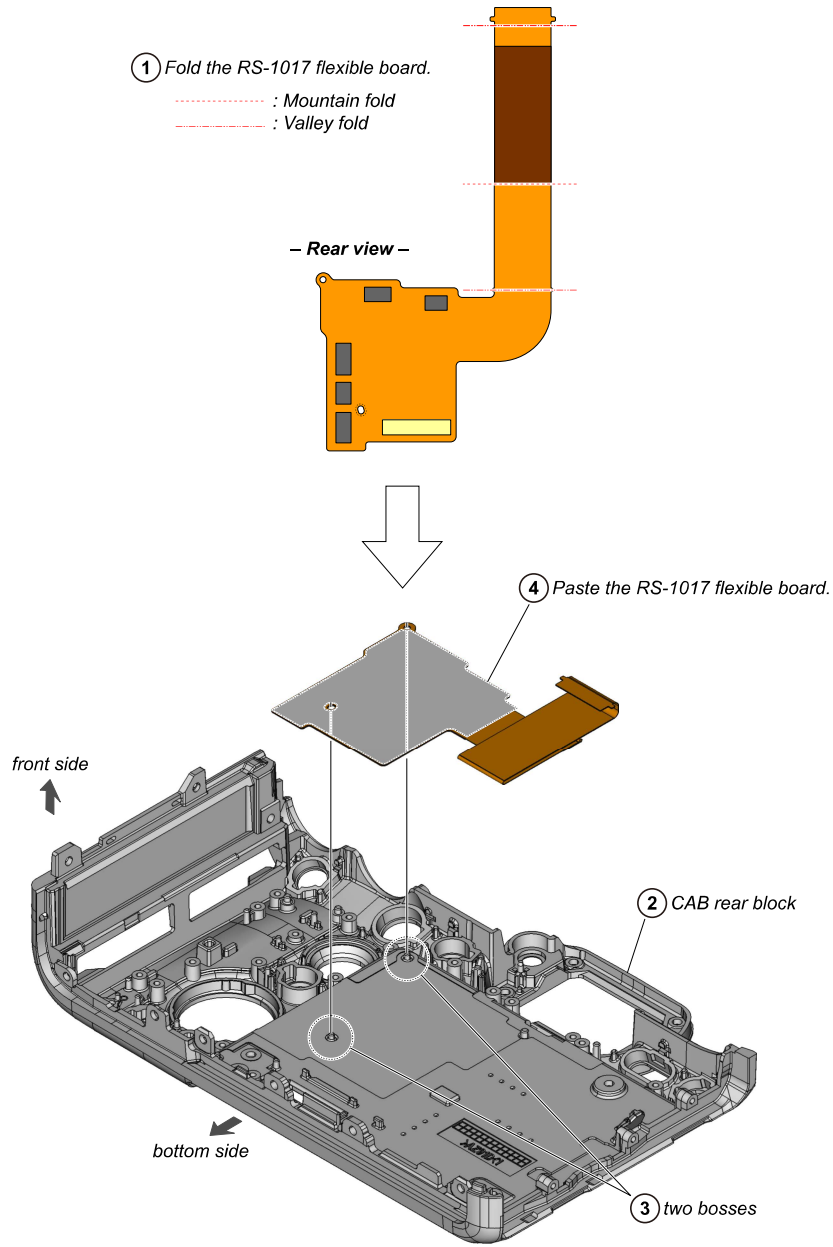
39. LOUDSPEAKER (1.0 cm)



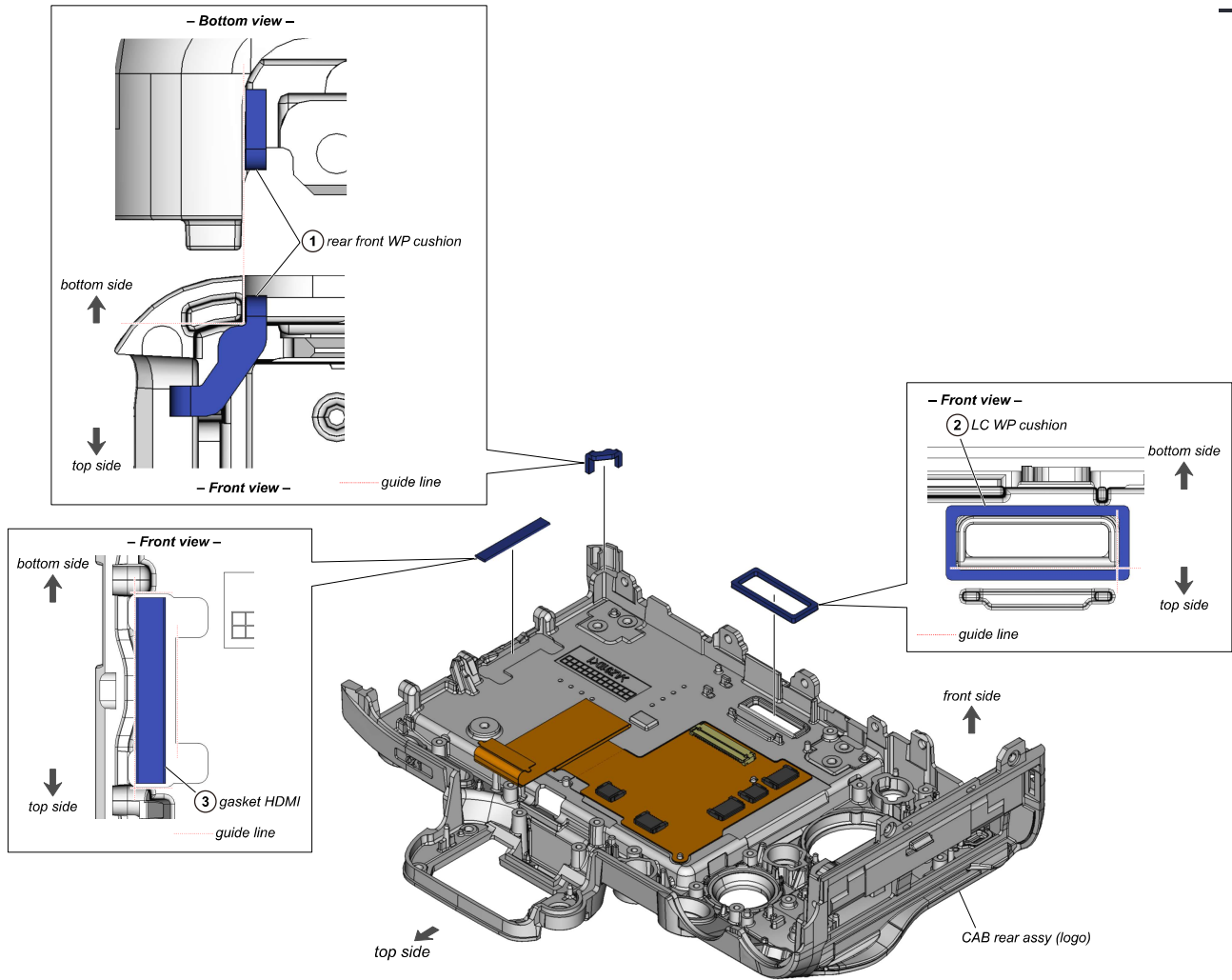
40. VF BLOCK ASSY (Not Supplied)



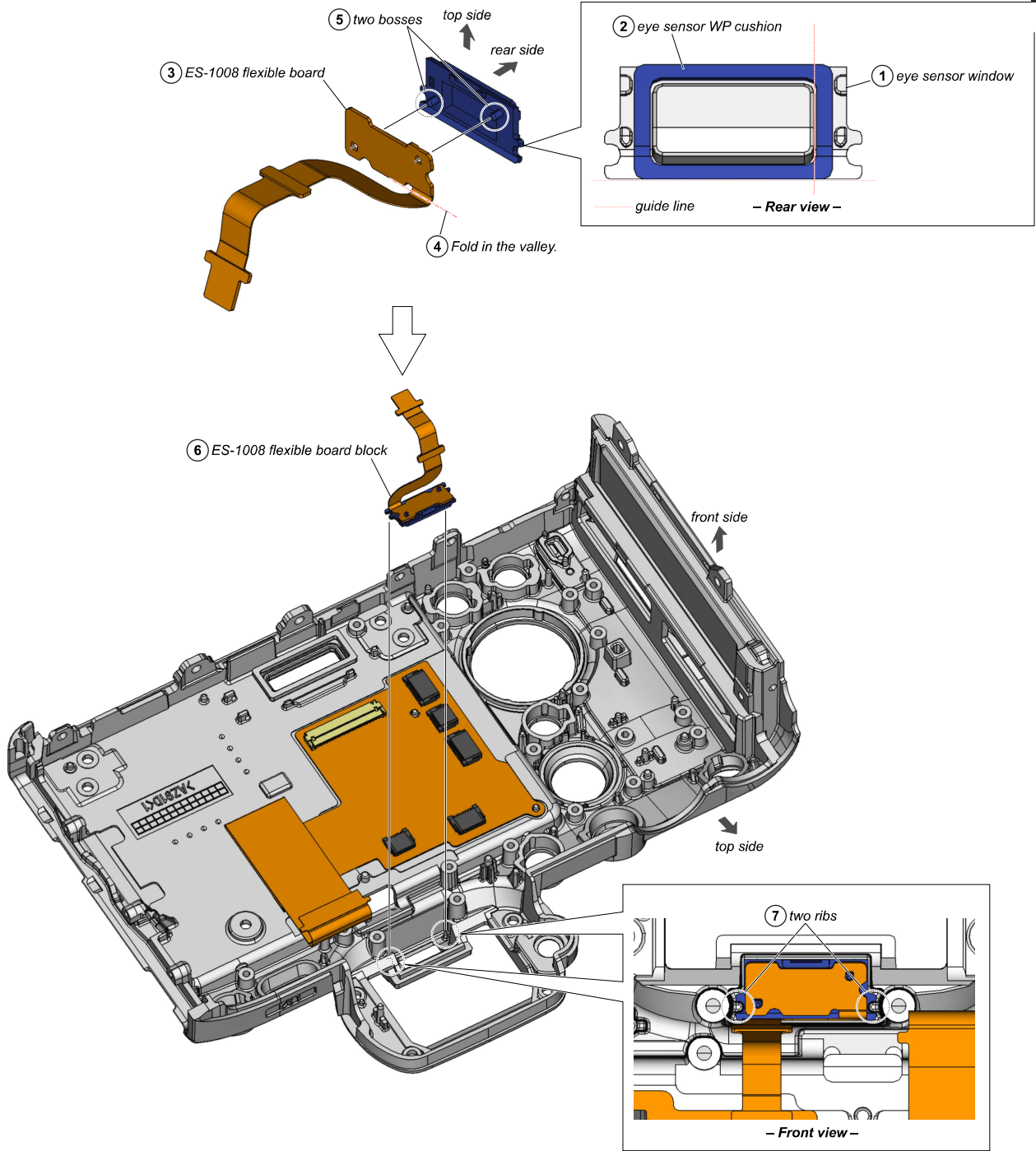
41. RS-1017 FLEXIBLE BOARD



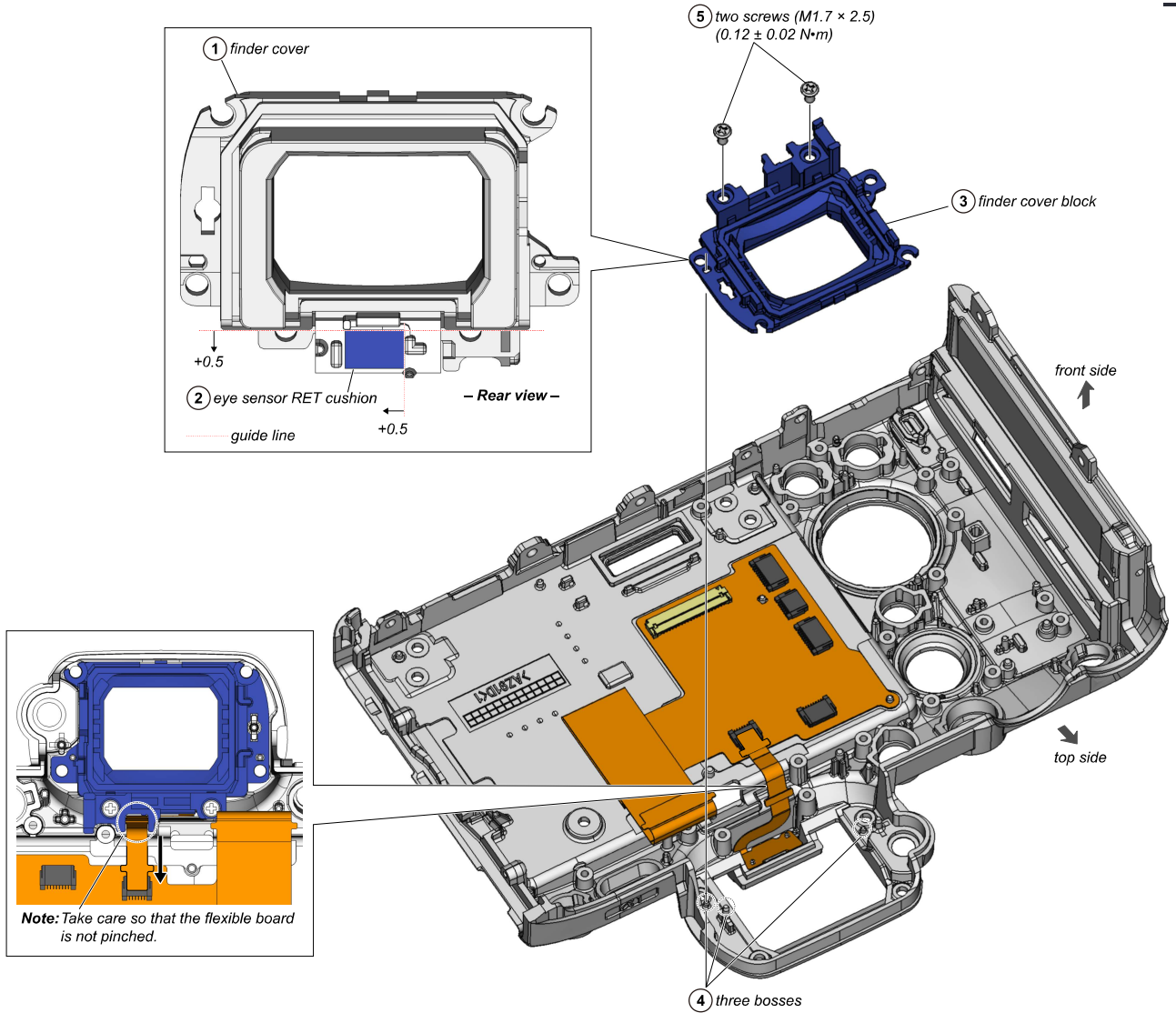
42. REAR FRONT WP CUSHION, LC WP CUSHION, GASKET HDMI



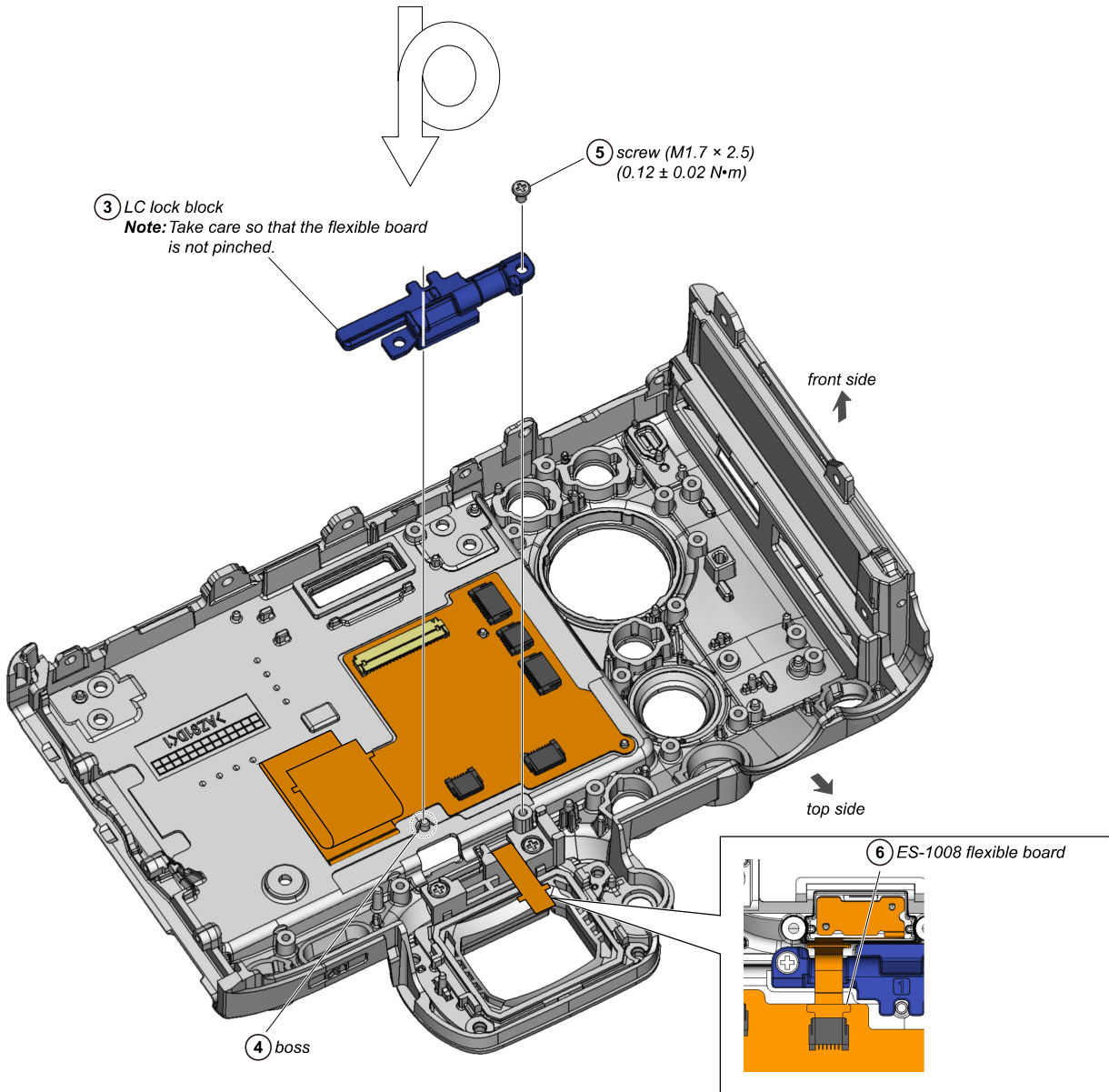
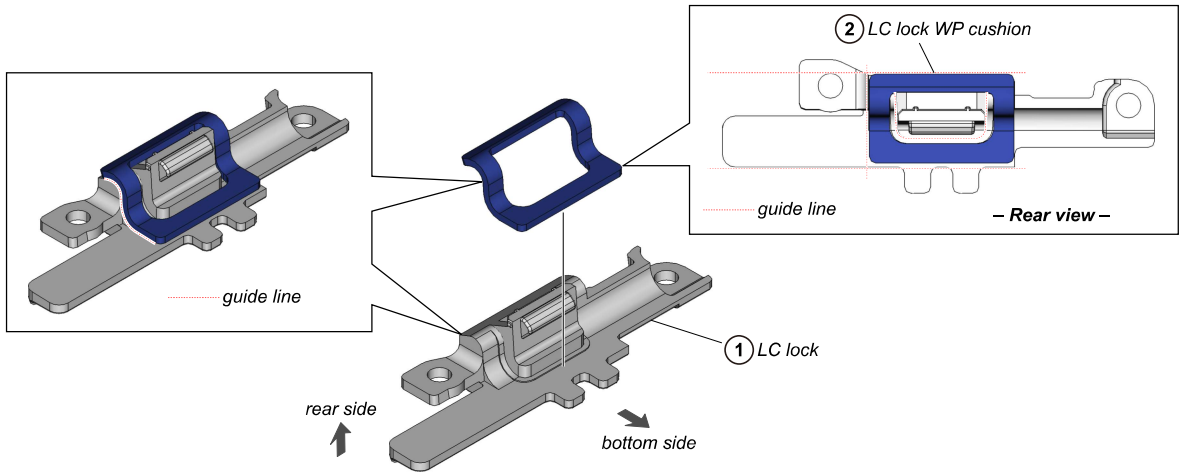
43. ES-1008 FLEXIBLE BOARD (Not Supplied)



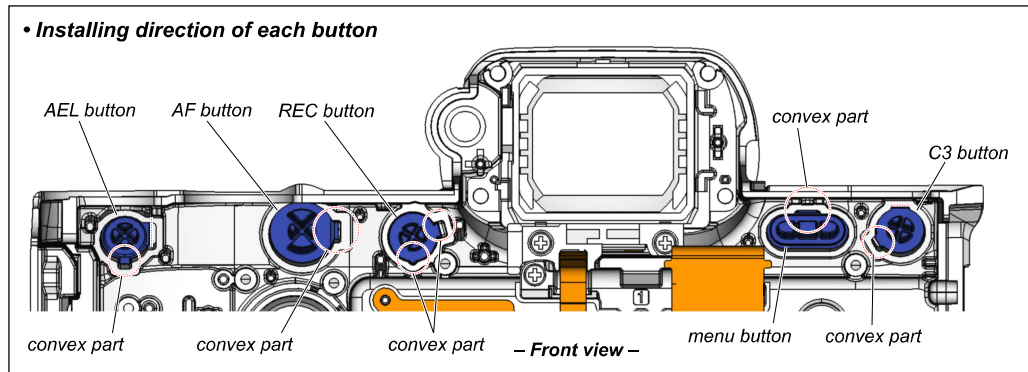
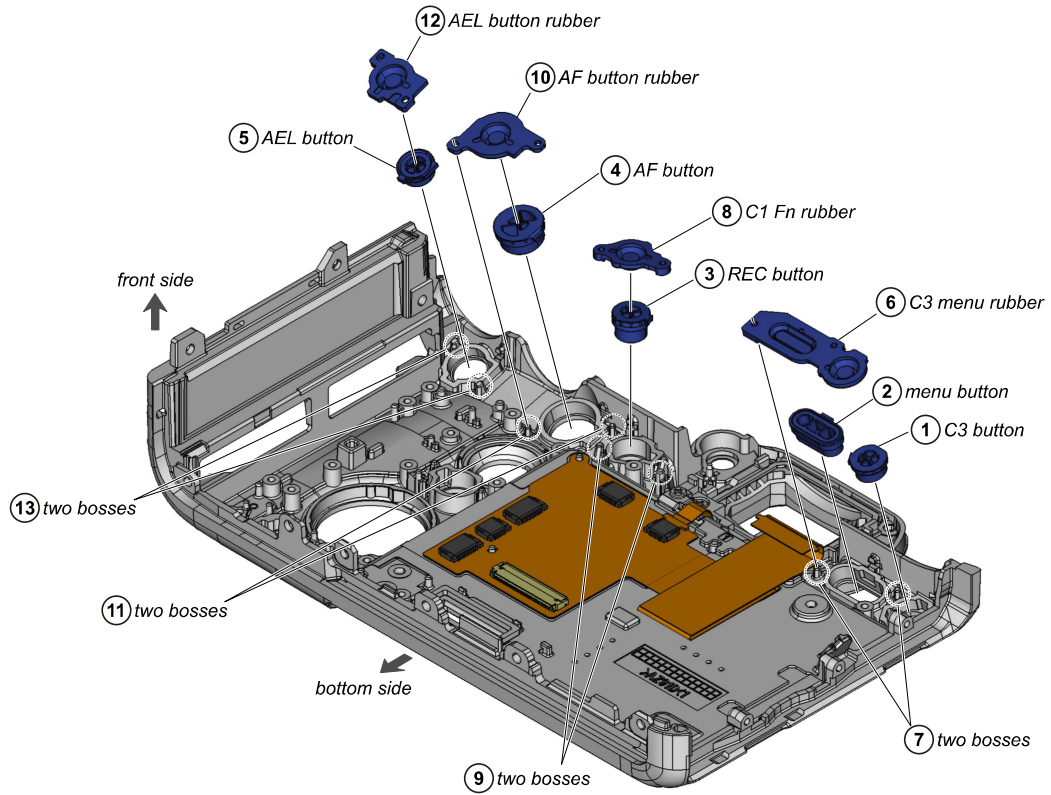
44. FINDER COVER



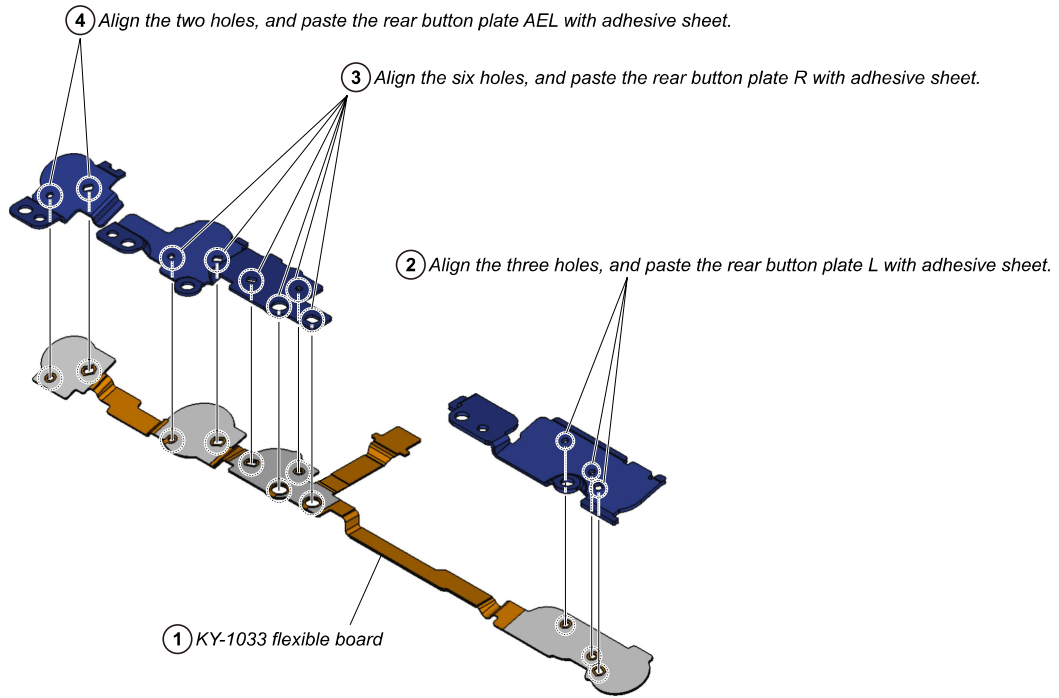
45. LC LOCK



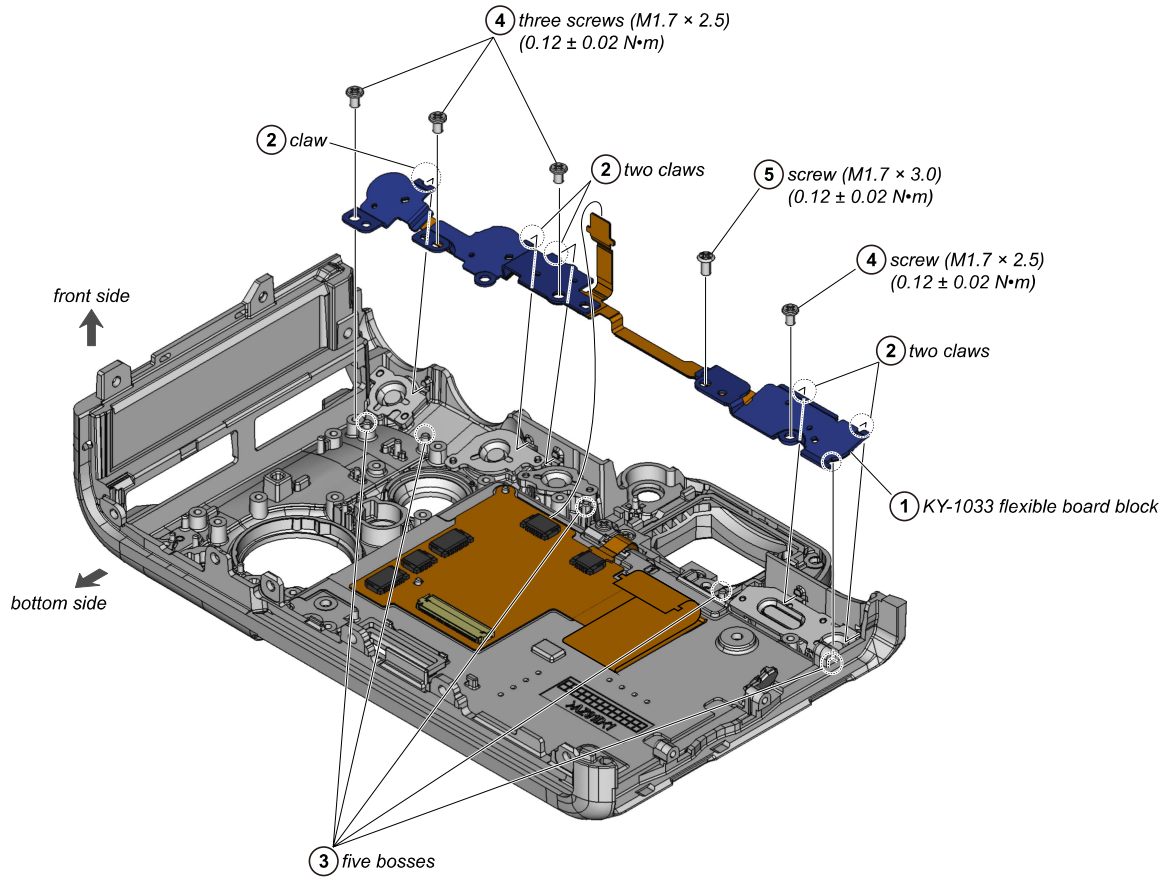
46. AEL/AF/C3/MENU/REC BUTTON



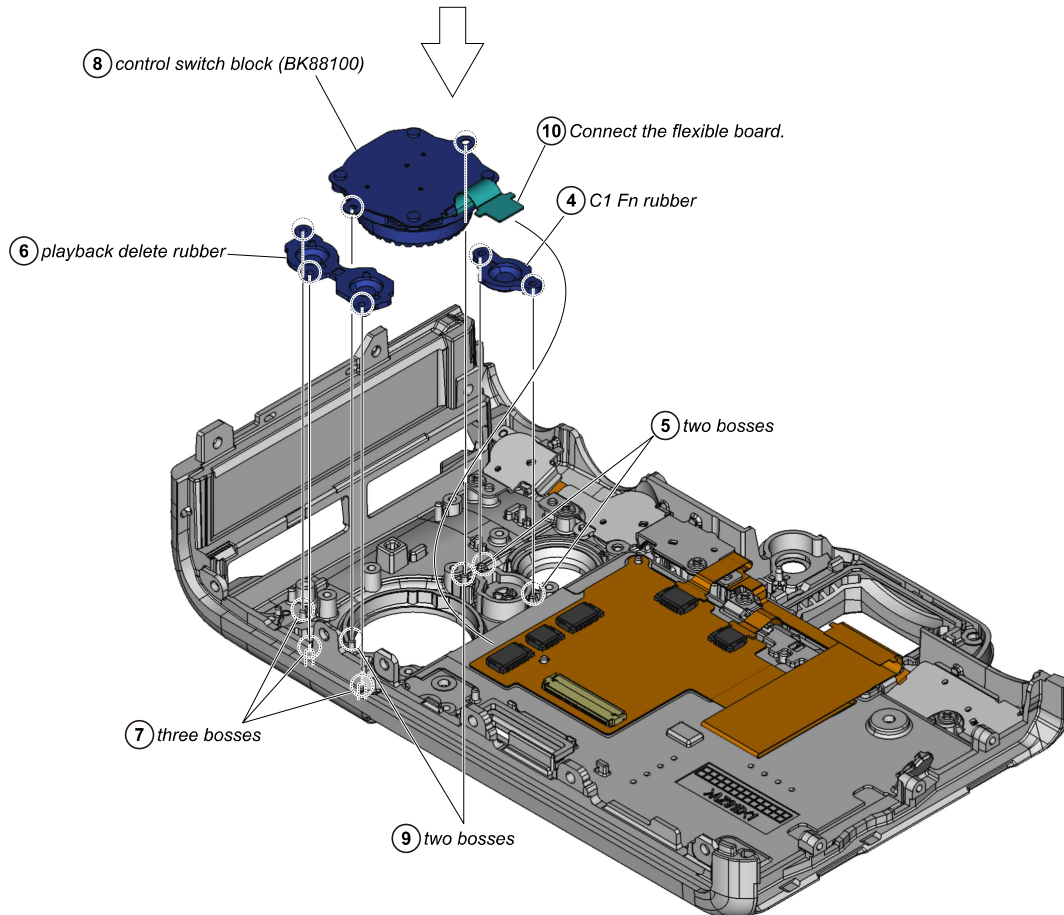
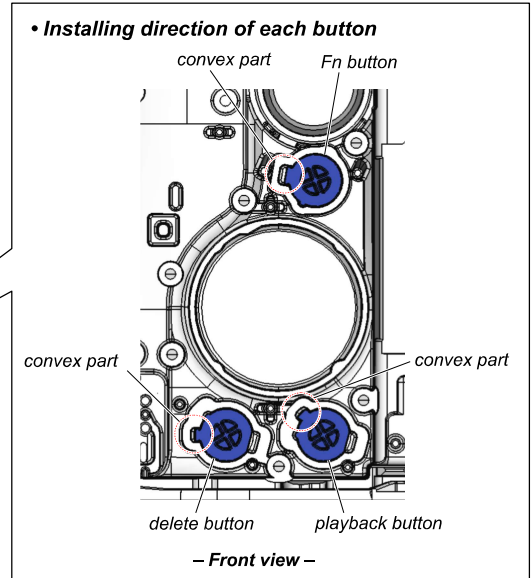
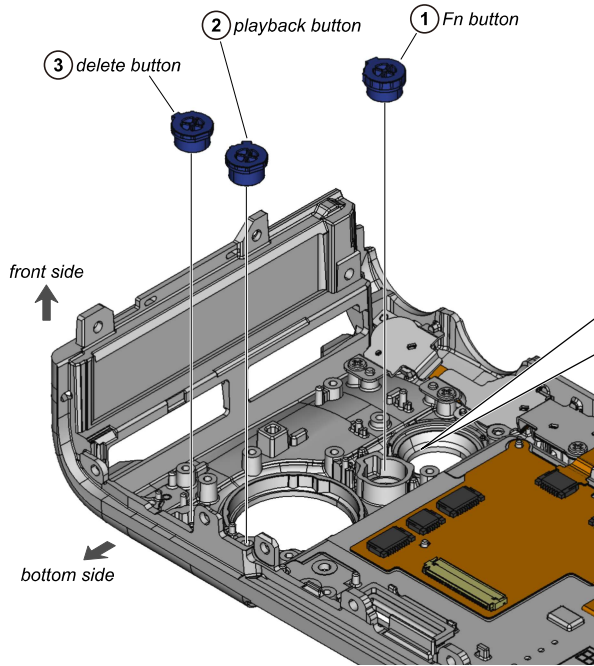
47. REAR BUTTON PLATE L/R/AEL



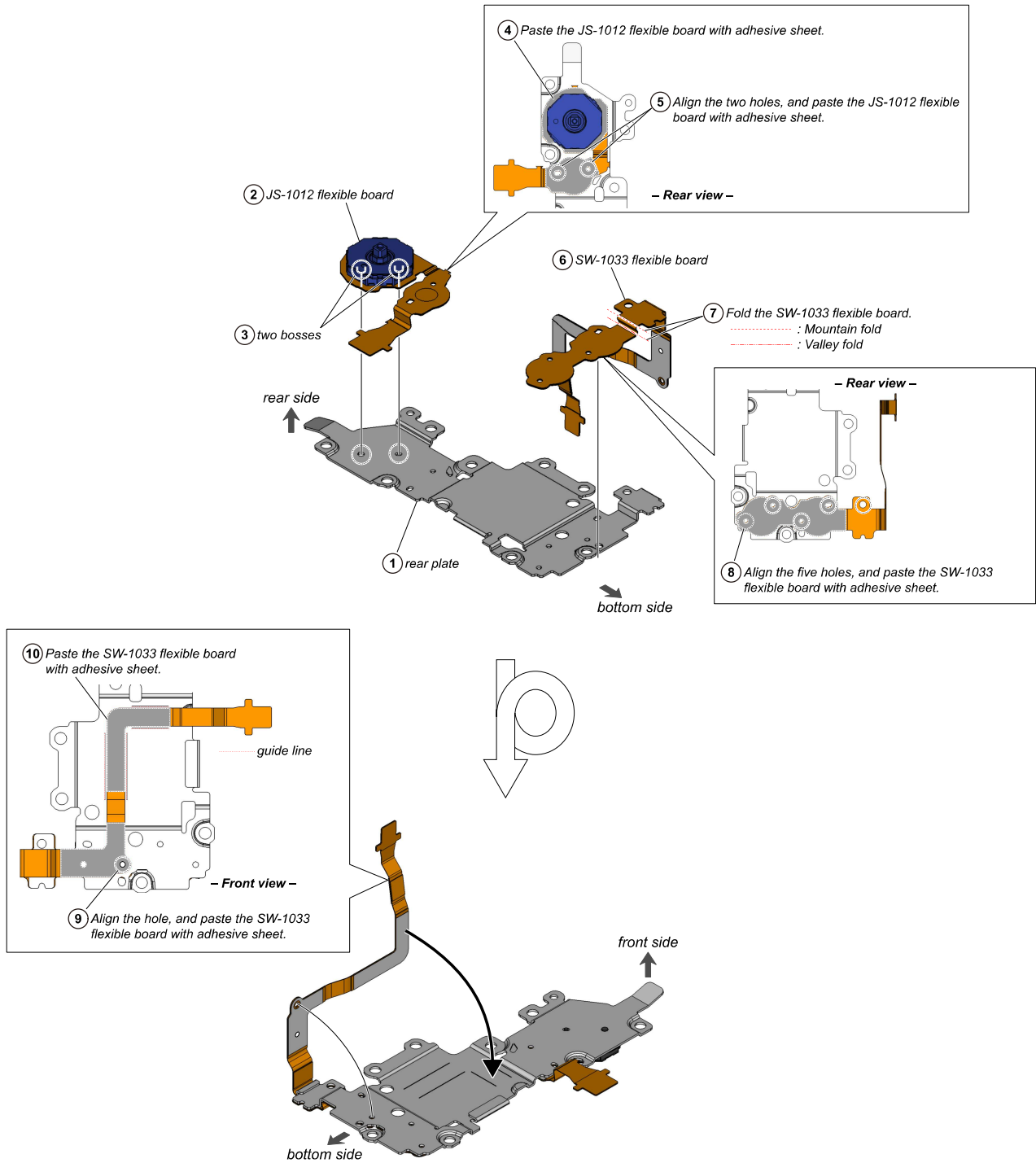
48. KY-1033 FLEXIBLE BOARD BLOCK



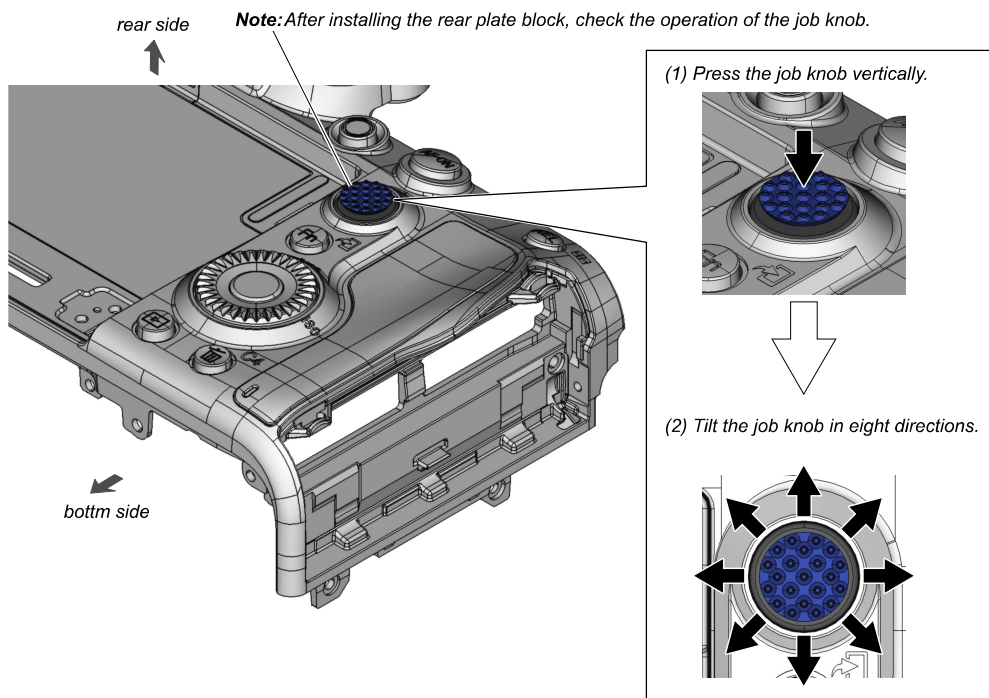
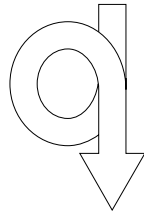
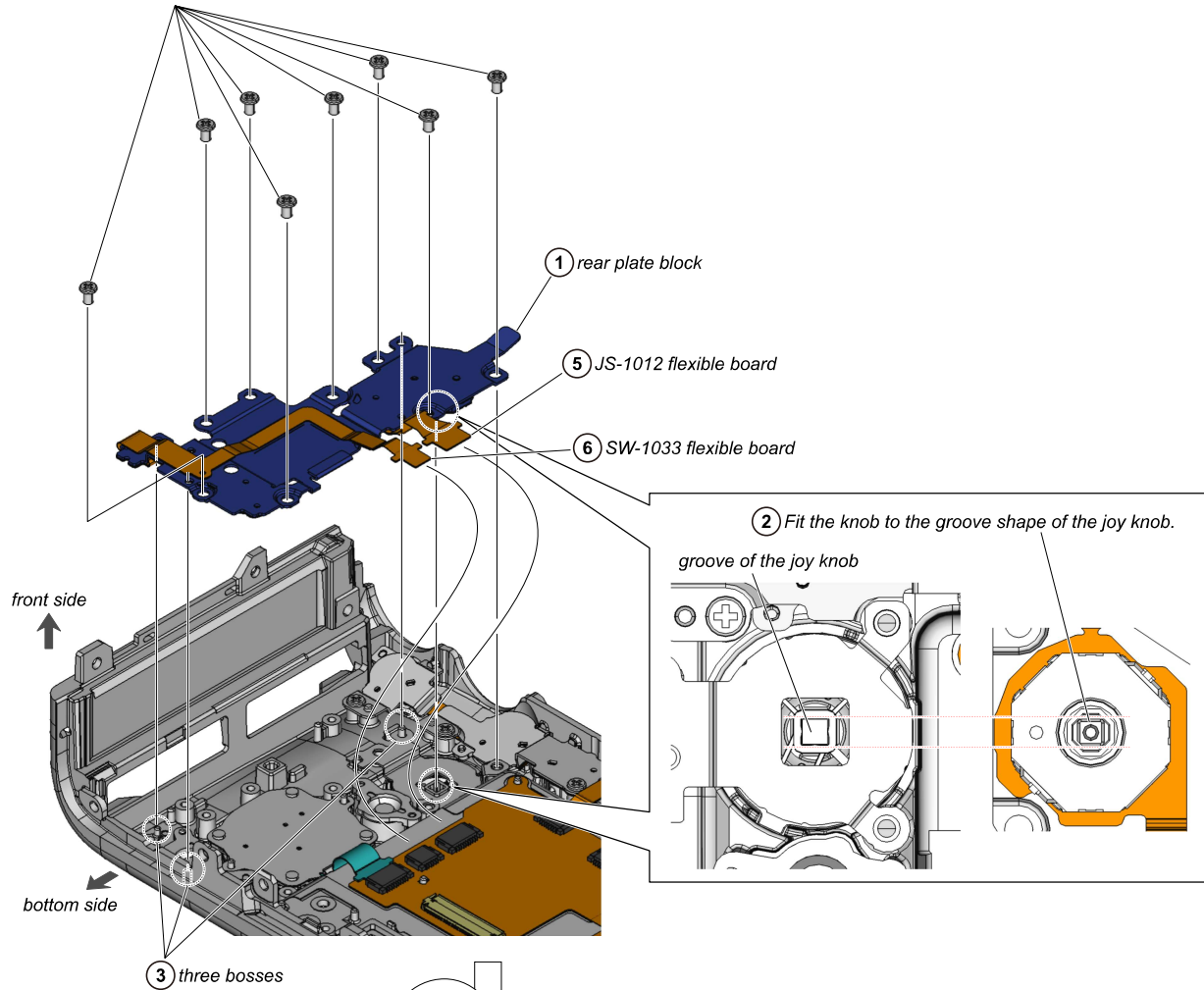
49. CONTROL SWITCH BLOCK (BK88100)



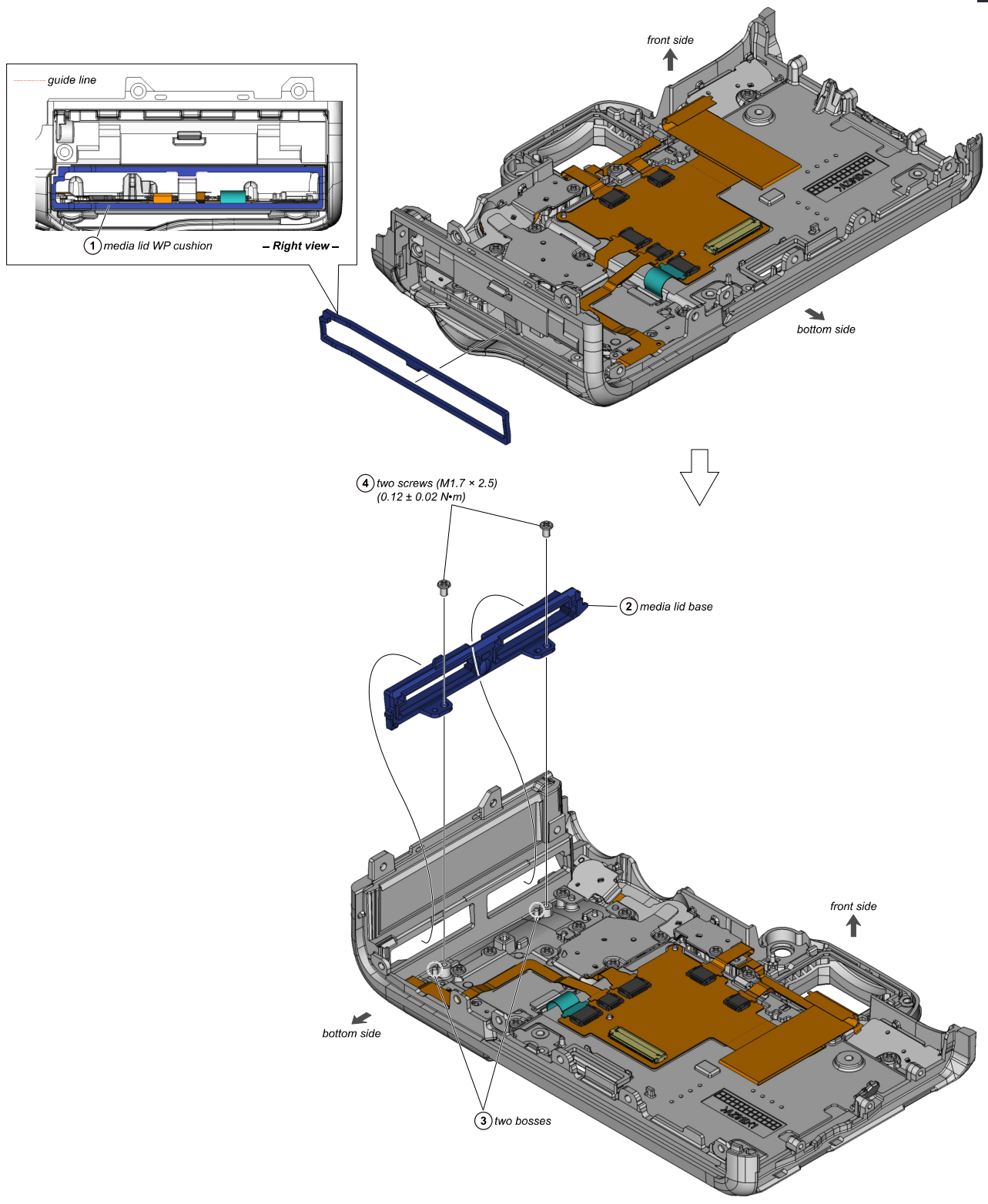
51. JS-1012 FLEXIBLE BOARD, SW-1033 FLEXIBLE BOARD

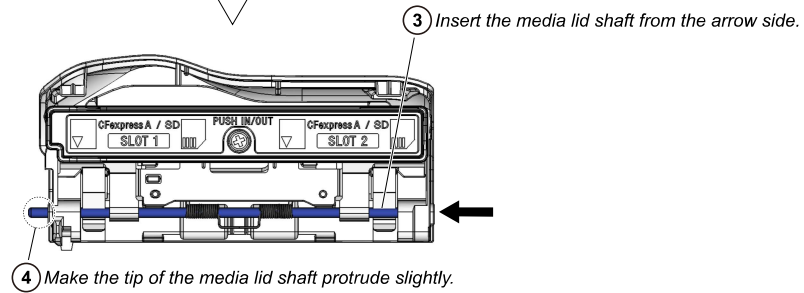
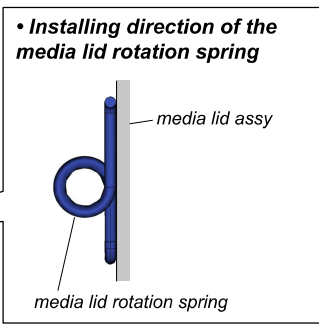
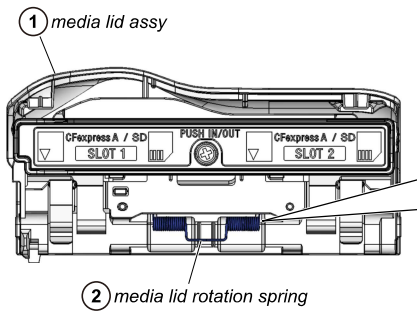


④ eight screws (M1.7 × 2.5)
(0.12 ± 0.02 N·m)

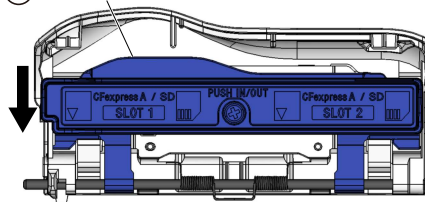


53. MEDIA LID BASE



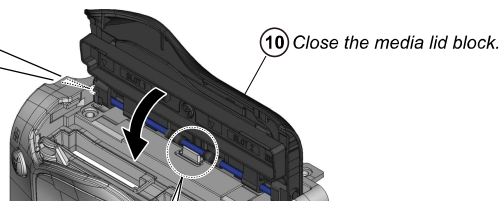
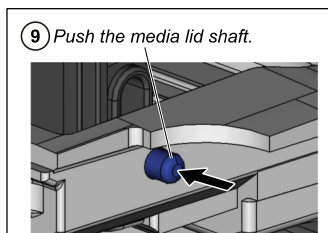
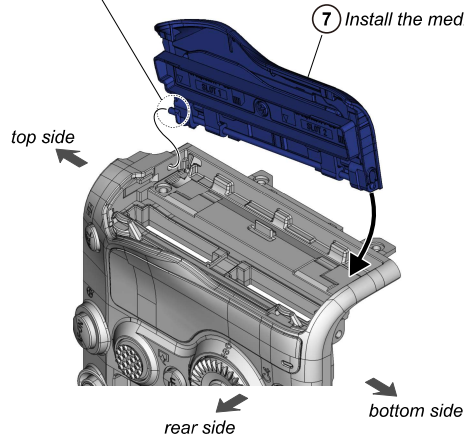


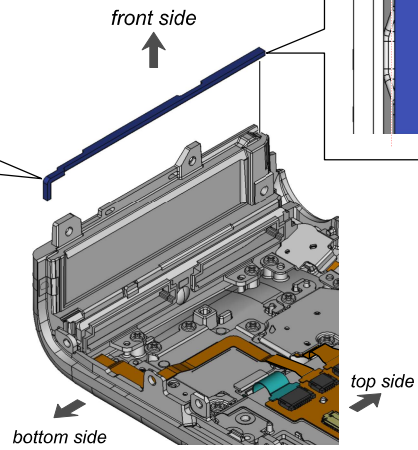
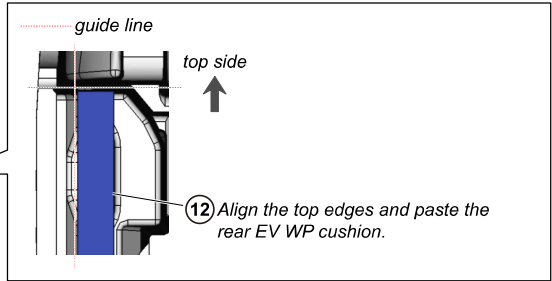
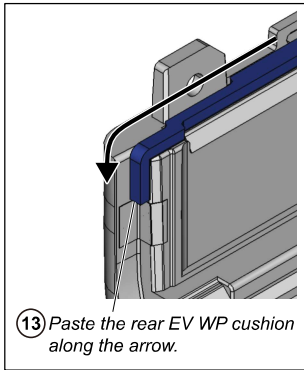
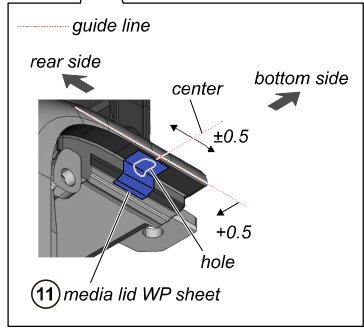
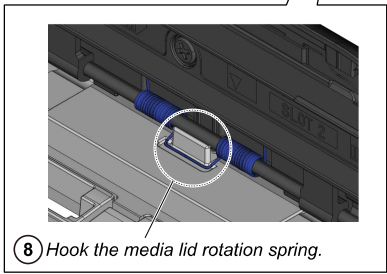
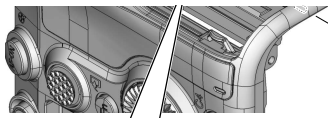
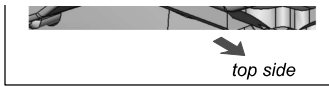
5 Slide the media lid inner cover in the direction of the arrow.



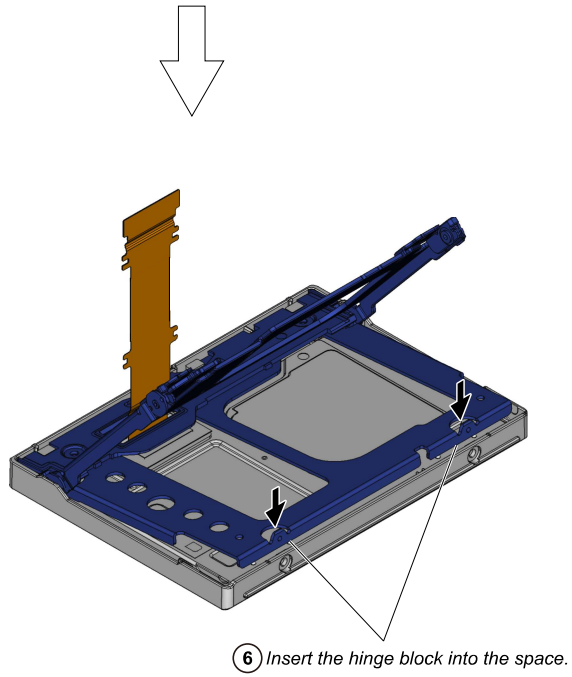
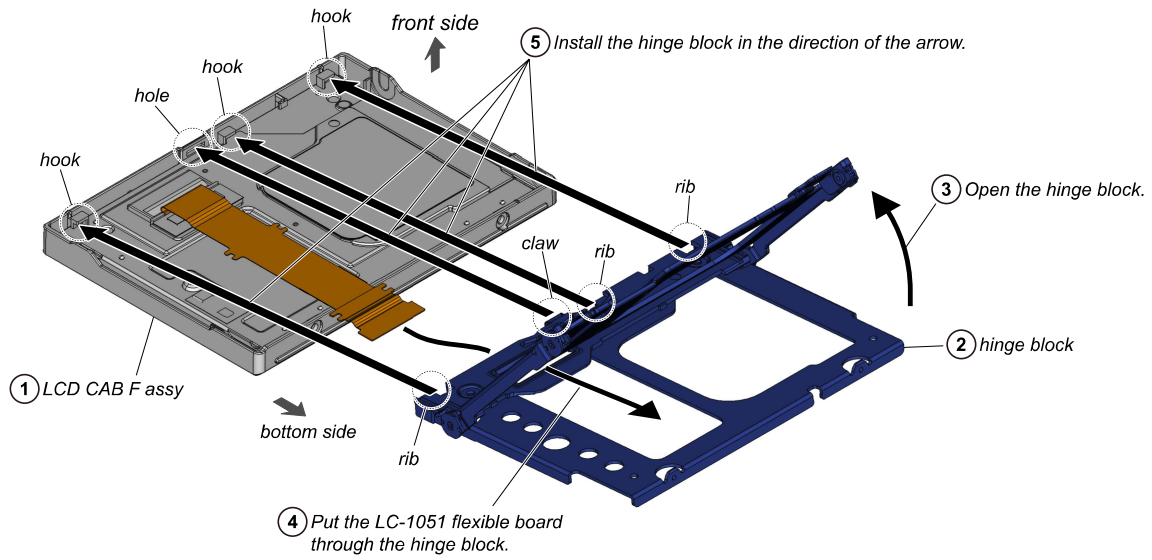
6 Insert the media lid shaft.

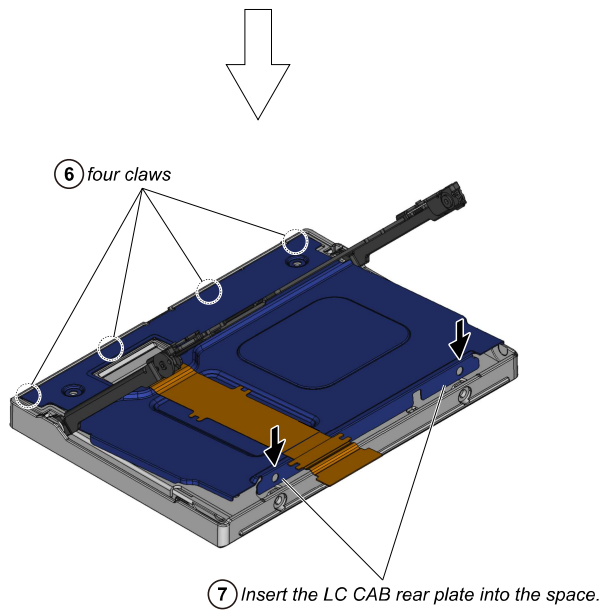
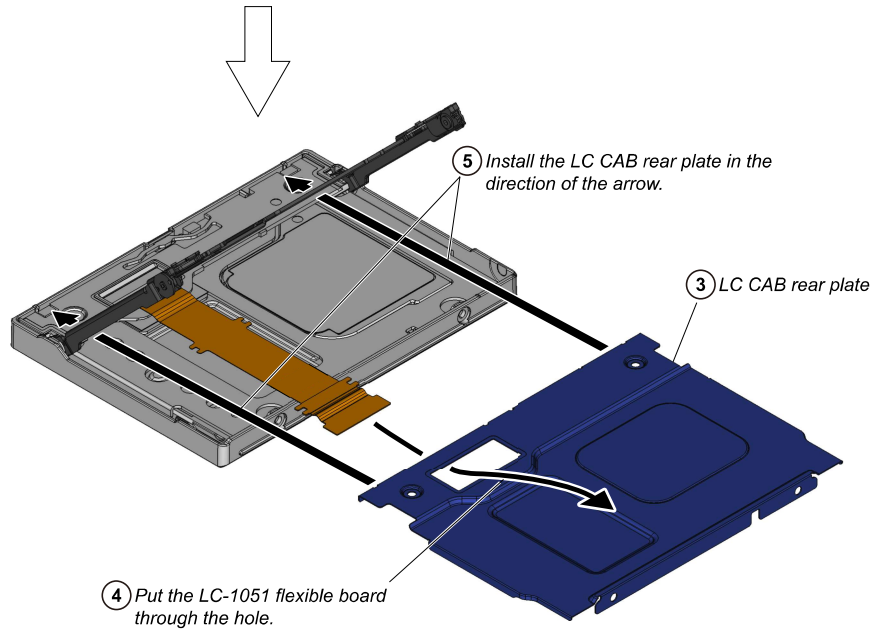
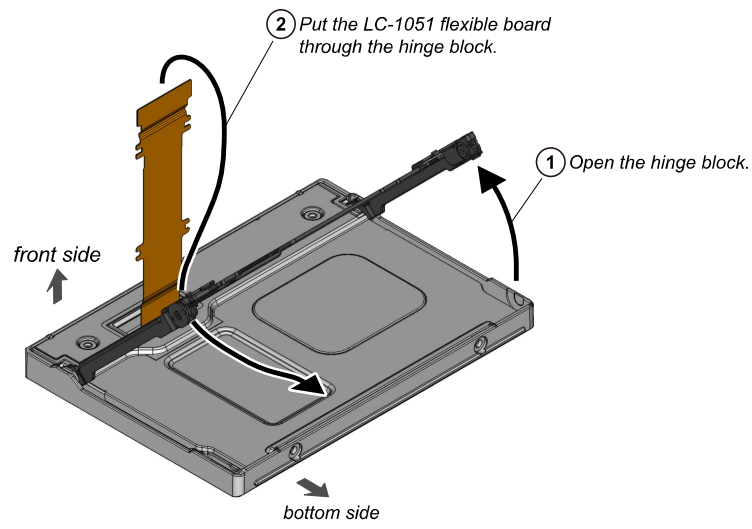
7 Install the media lid block.

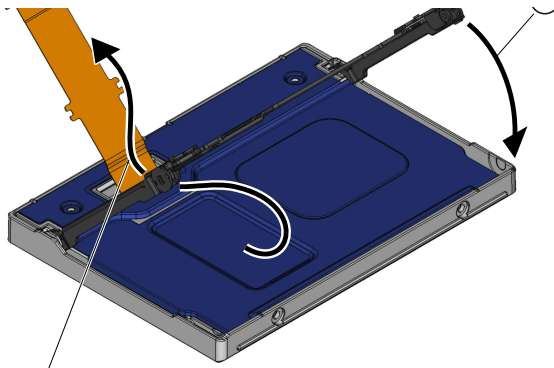




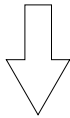
56. LCD CAB F ASSY (Not Supplied)



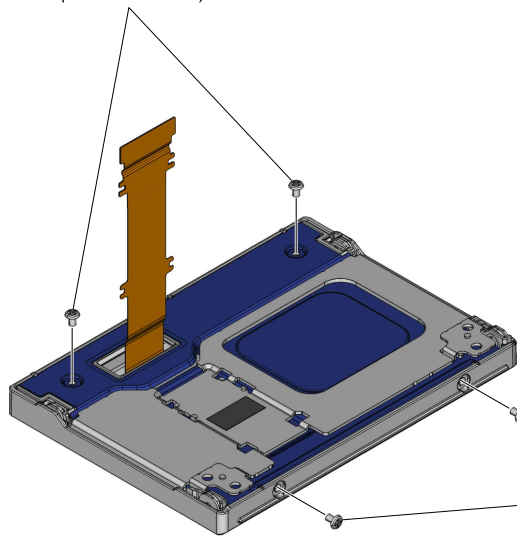




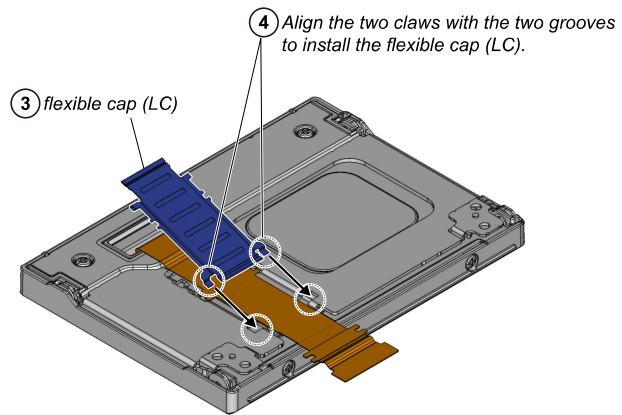
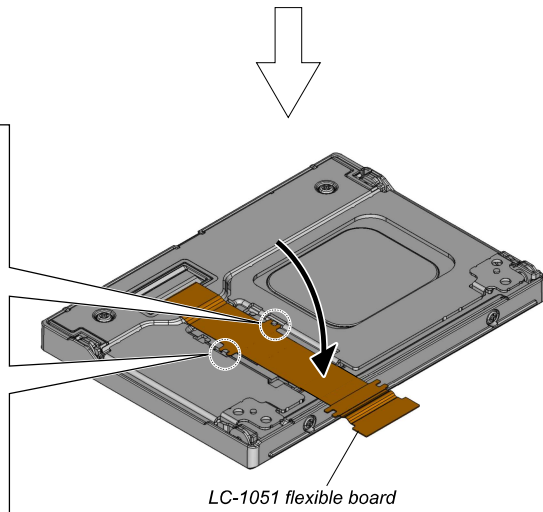
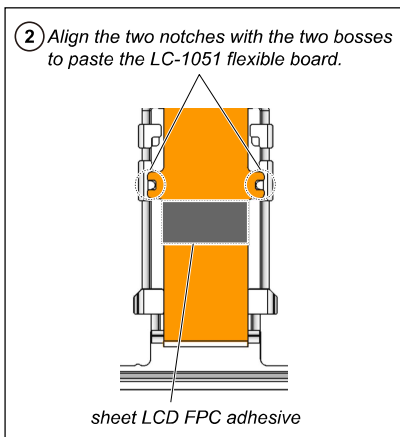
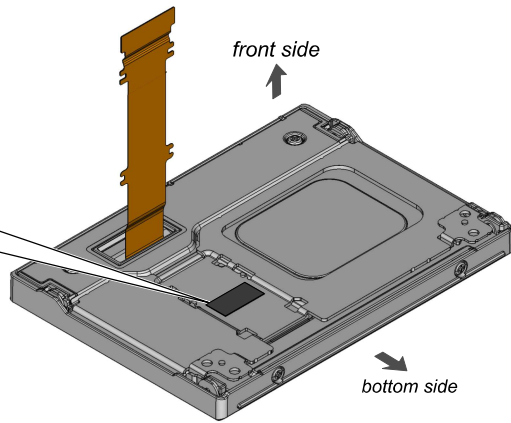
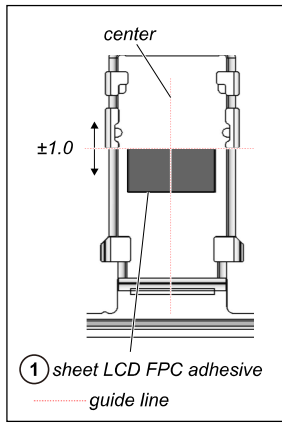
8 Draw the LC-1051 flexible board out of the hinge block.



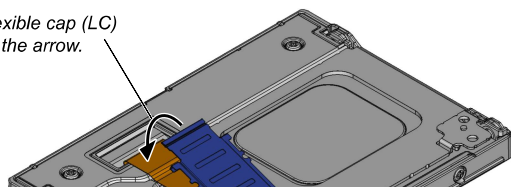
11 two screws (M1.4 × 2.0)
(0.12 ± 0.02 N•m)

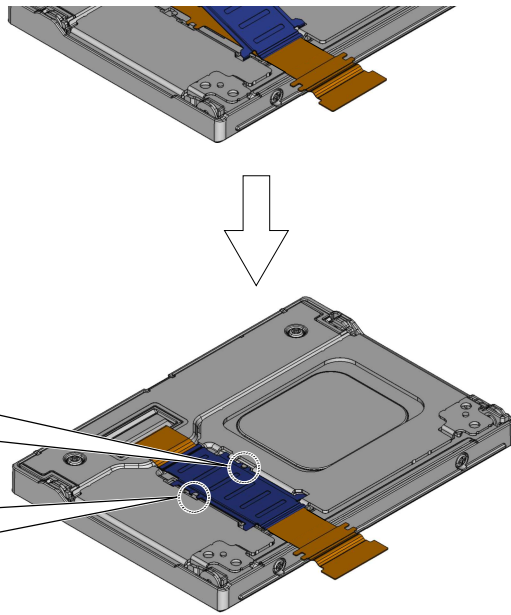
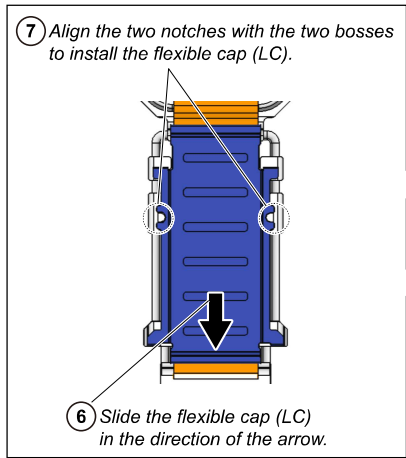


10 two screws (M1.4 × 2.0)
(0.12 ± 0.02 N•m)

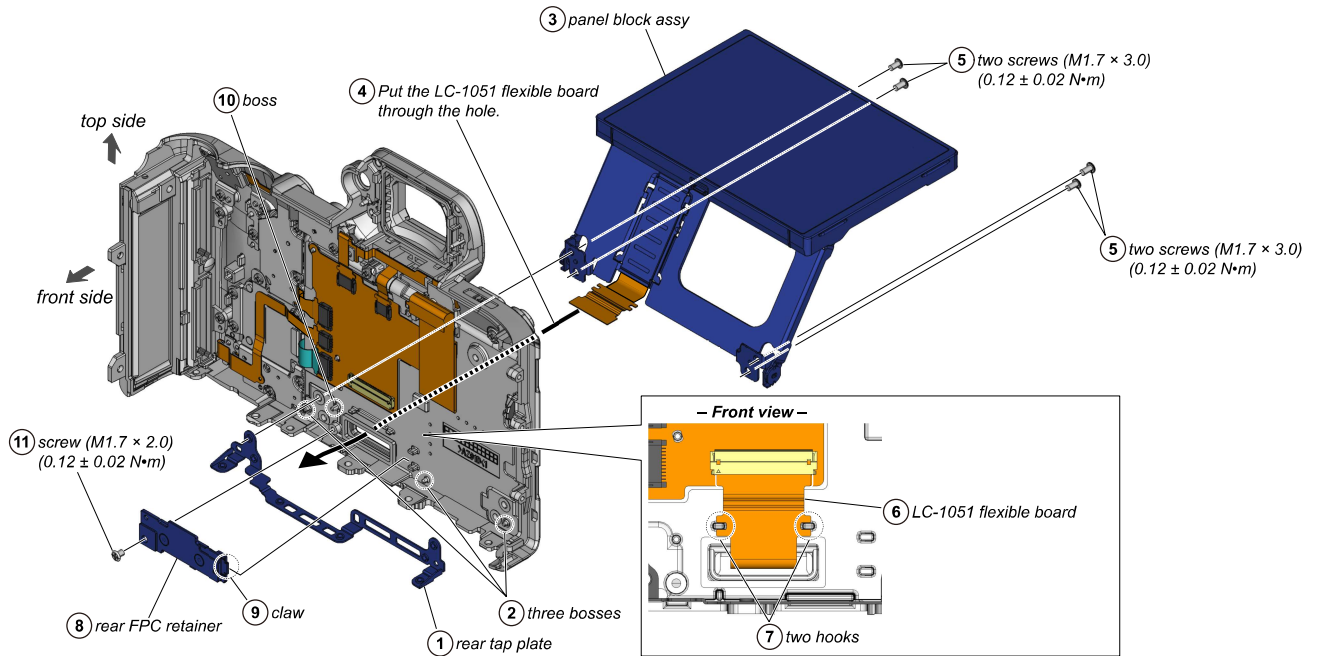


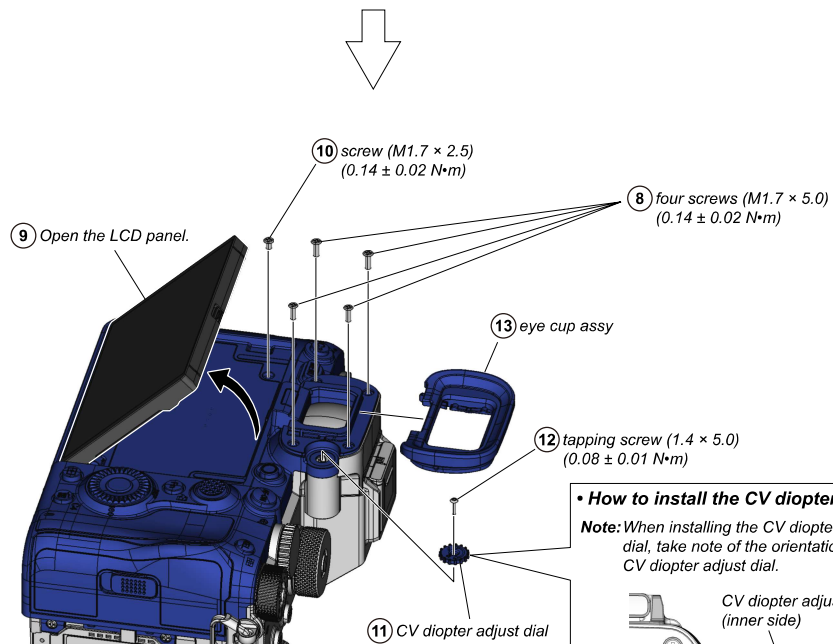
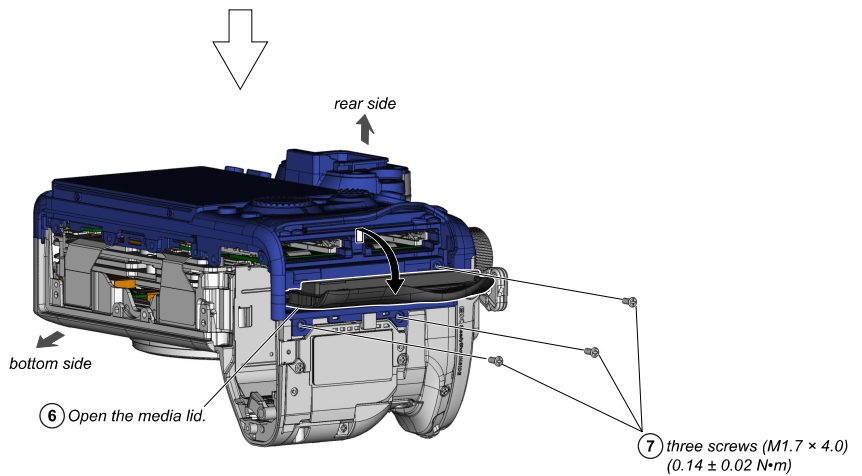
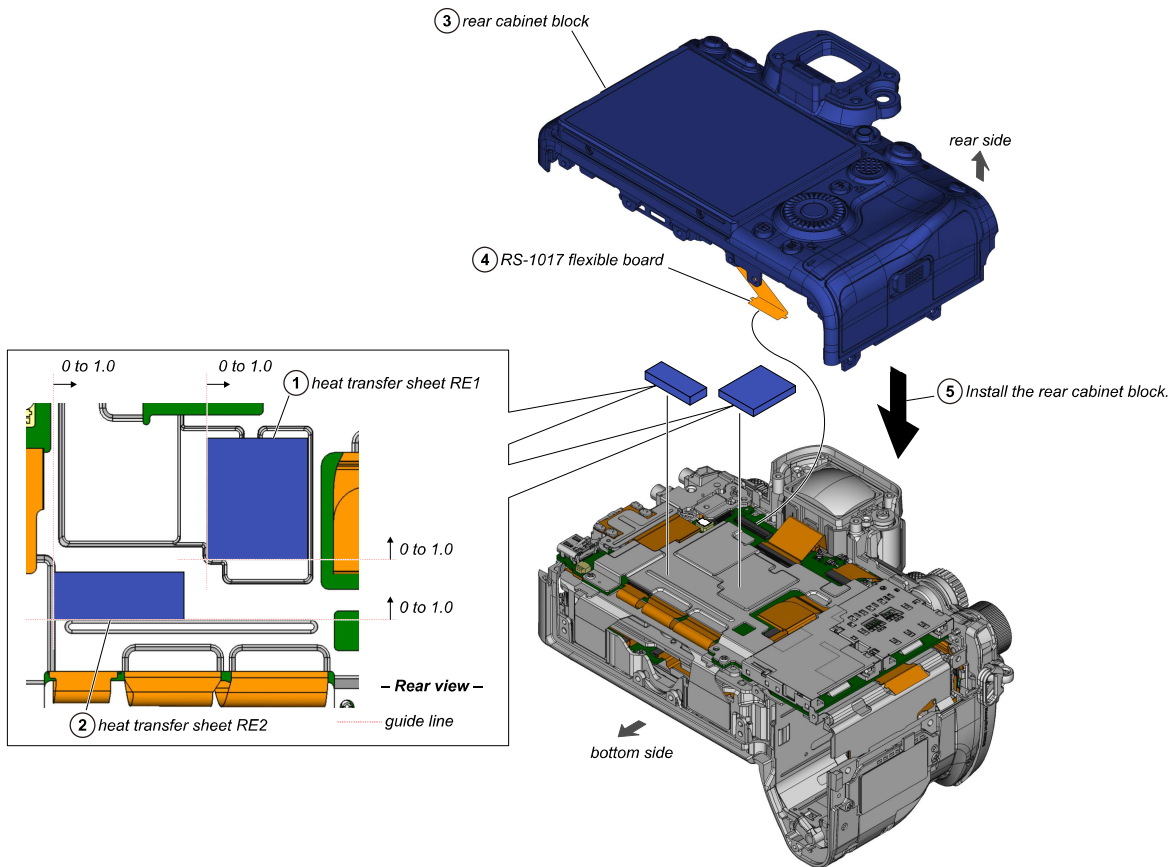
⑤ Push down the flexible cap (LC) in the direction of the arrow.

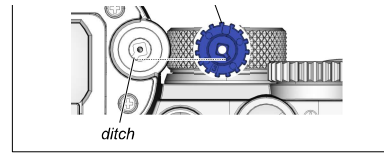
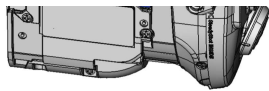




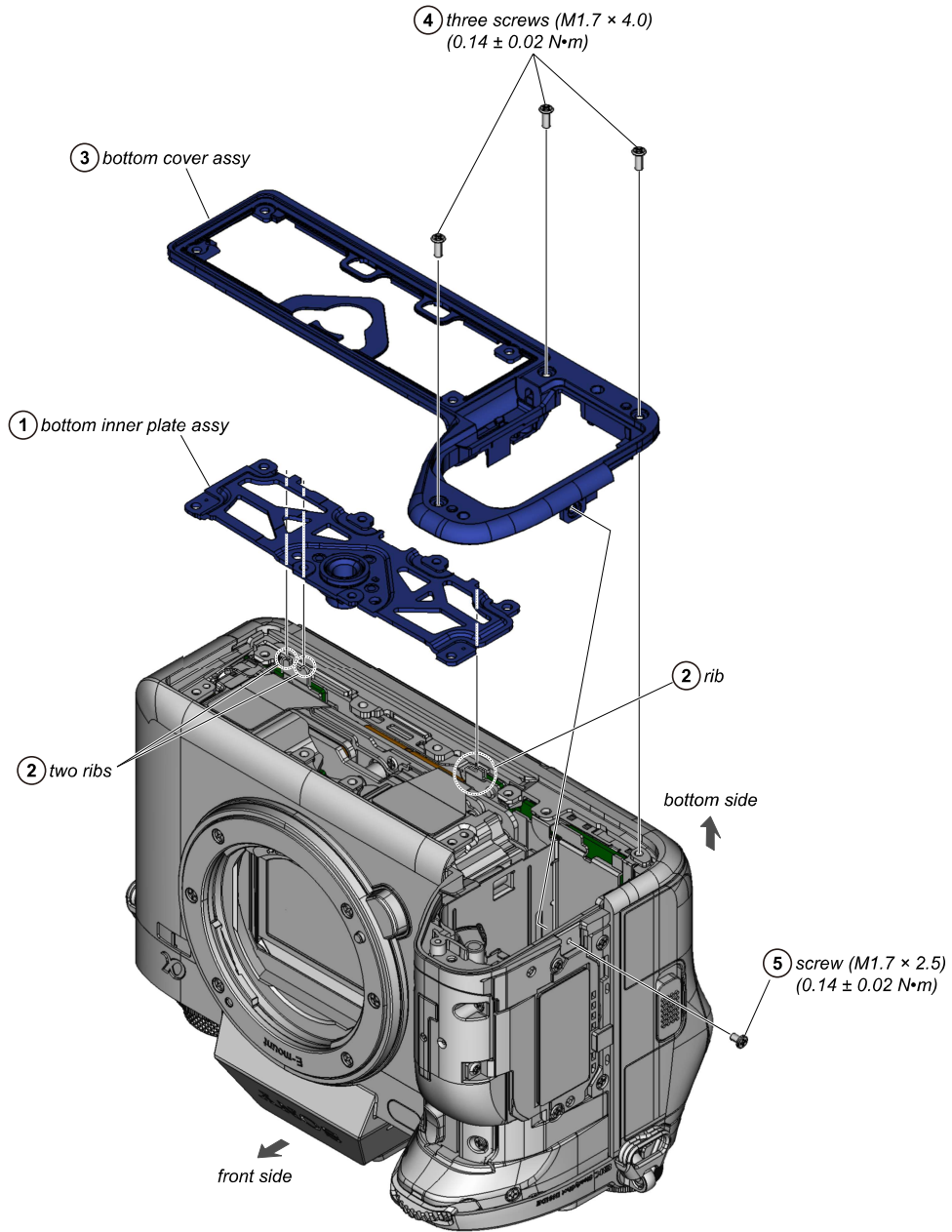
59. PANEL BLOCK ASSY







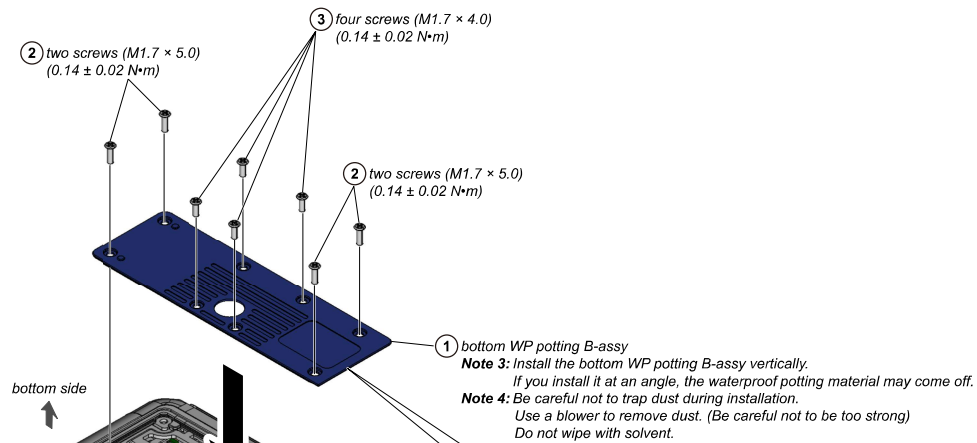
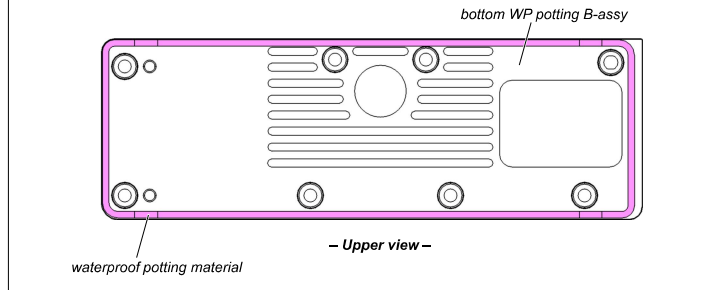
61. BOTTOM COVER ASSY



62. BOTTOM WP POTTING B-ASSY

Note 1: Before installing the bottom WP potting B-assy, check the condition of the waterproof potting material. Refer to "HANDLING WATERPROOF POTTED COMPONENTS" on the SERVICE NOTE for details on the state of the waterproof potting material.

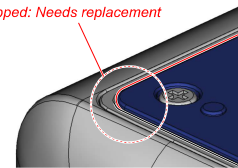
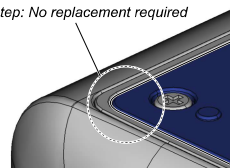
Note 2: Do not touch or hit the waterproof potting material.



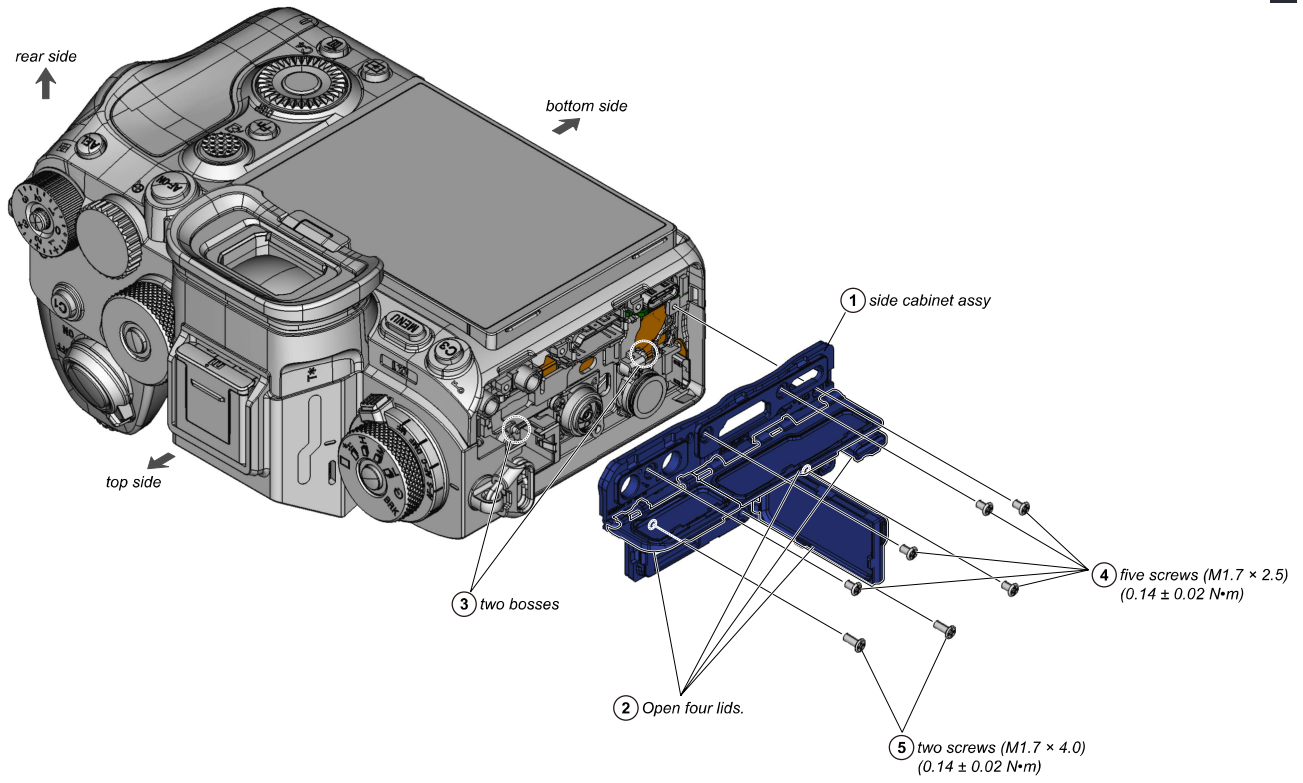
Note 5: If there is a step between the bottom cover assy and the bottom WP potting B-assy, the waterproof potting material has peeled off. Do not reuse the bottom WP potting B-assy, be sure to replace it with a new part.

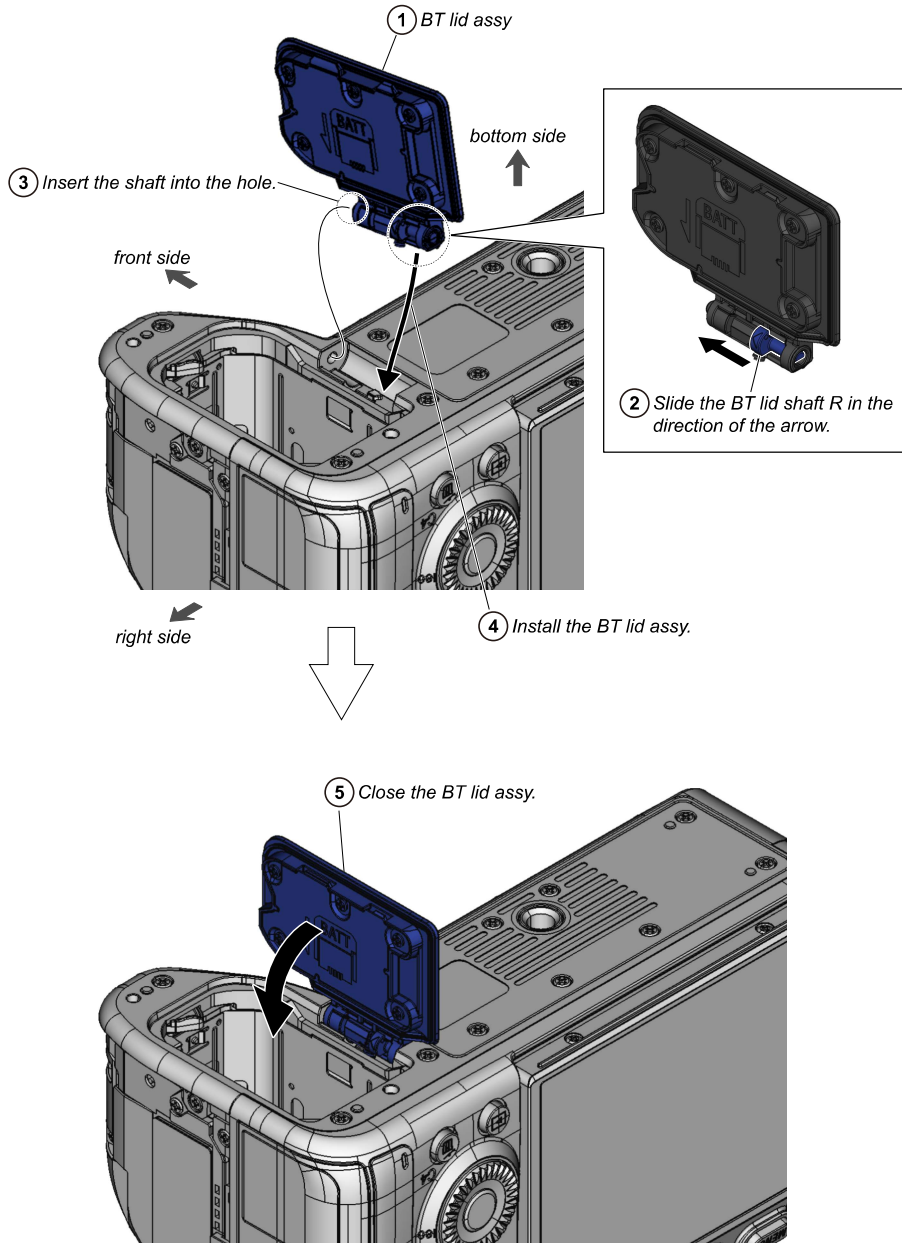
No step: No replacement required

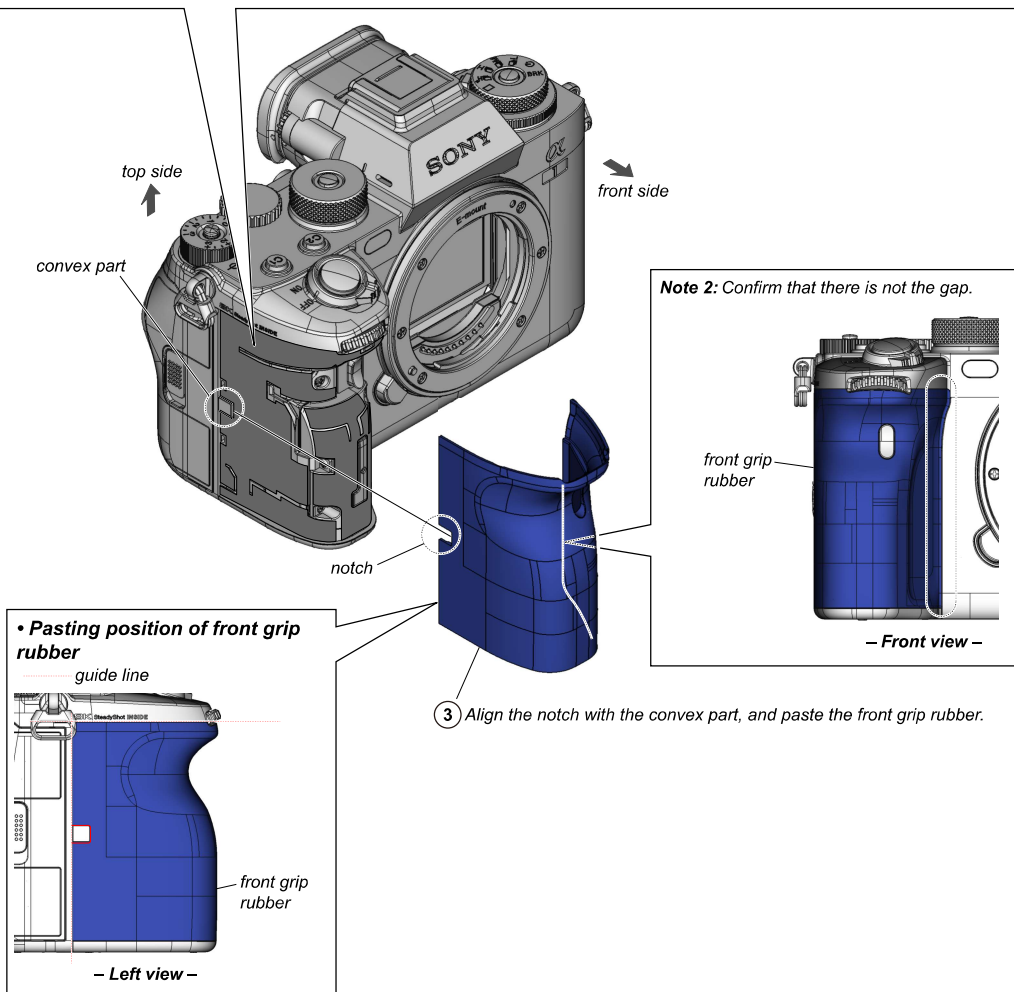
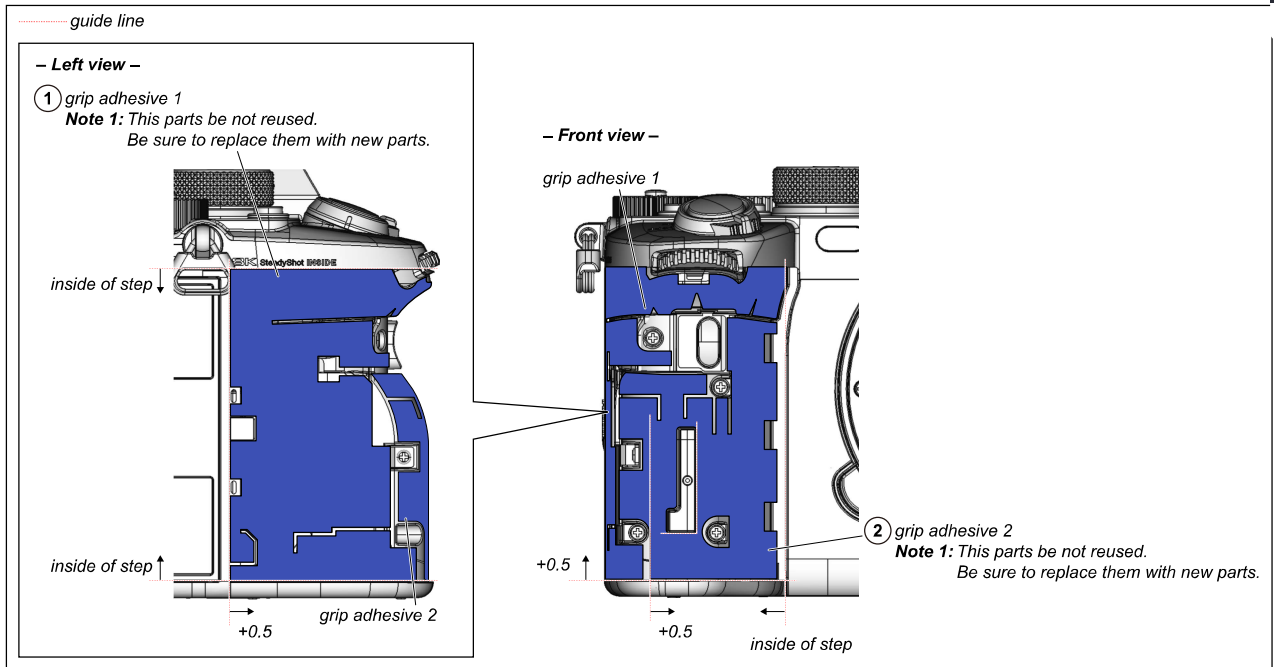
Stepped: Needs replacement



63. SIDE CABINET ASSY









—

EXPLODED VIEWS

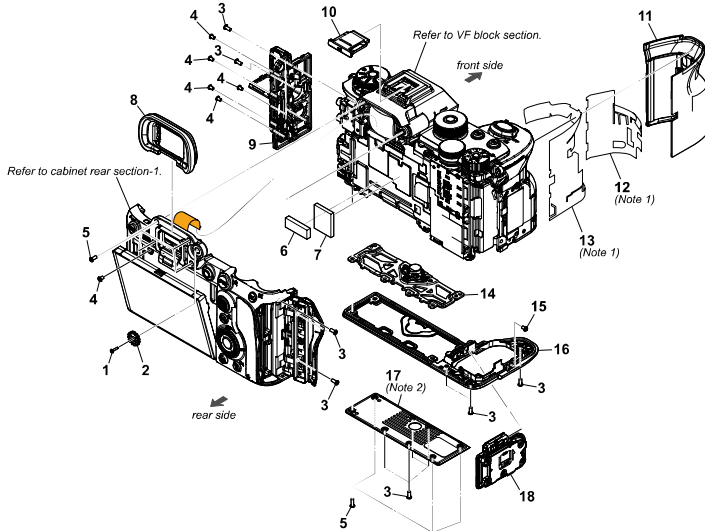
Note

- -XX and -X mean standardized parts, so they may have some difference from the original one.
- Items marked “**” are not stocked since they are seldom required for routine service. Some delay should be anticipated when ordering these items.
- The mechanical parts with no reference number in the exploded views are not supplied.

The components identified by mark  or dotted line with mark are critical for safety. Replace only with part number specified.

Les composants identifiés par une marque  sont critiques pour la sécurité. Ne les remplacer que par une pièce portant le numéro spécifié.

OVERALL SECTION



Note 1

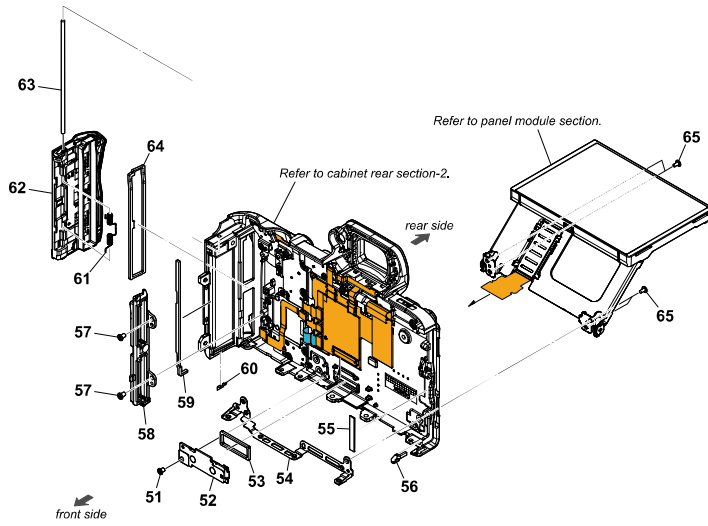
This parts be not reused. Be sure to replace them with new parts.

Note 2

If you want to reuse this part, refer to [“HANDLING WATERPROOF POTTED COMPONENTS”](#) on the SERVICE NOTE and check whether it can be reused.

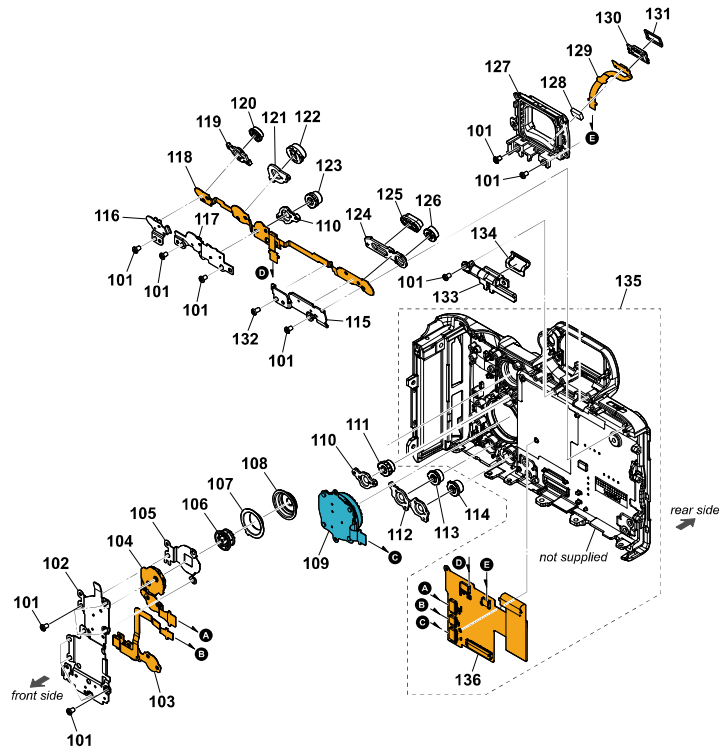
| Ref. No. | Part No. | Description |
|----------|-----------|---|
| 1 | 430010611 | BTITE (1.4 (CH)) (L = 5.0 mm) |
| 2 | 501411201 | CV DIOPTER ADJUST DIAL (850) |
| 3 | 444694901 | SCREW (M1.7) (L = 4.0 mm) |
| 4 | 444694931 | SCREW (M1.7) (L = 2.5 mm) |
| 5 | 444694941 | SCREW (M1.7) (L = 5.0 mm) |
| 6 | 502317601 | HEAT TRANSFER SHEET RE2 (885) |
| 7 | 502317501 | HEAT TRANSFER SHEET RE1 (885) |
| 8 | X50009261 | EYE CUP ASSY (850) |
| 9 | X50017301 | SIDE CABINET ASSY (885) |
| 10 | 443873403 | SHOE CAP (875) |
| 11 | 501035901 | FRONT GRIP RUBBER (850) |
| 12 | 501142401 | GRIP ADHESIVE 2 (850) (Note 1) |
| 13 | 501142301 | GRIP ADHESIVE 1 (850) (Note 1) |
| 14 | X50002743 | BOTTOM INNER PLATE ASSY (881) |
| 15 | 263556211 | SCREW (M1.7) (L = 2.5 mm) |
| 16 | X50017791 | BOTTOM COVER ASSY (850) |
| 17 | A5025879A | BOTTOM WP POTTING B-ASSY (850) (Note 2) |
| 18 | X50002723 | BT LID ASSY (88100) |

CABINET REAR SECTION-1



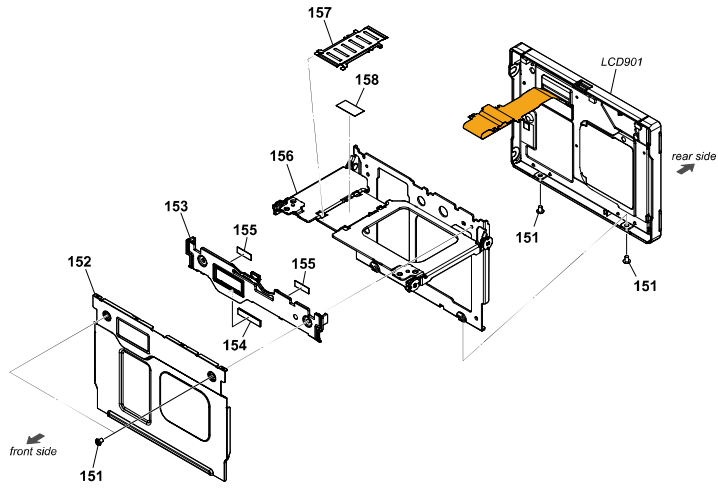
| Ref. No. | Part No. | Description |
|----------|-----------|---------------------------------|
| 51 | 259947501 | SCREW (M1.7) (L = 2.0 mm) |
| 52 | A5013737A | REAR FPC RETAINER (SERVICE 881) |
| 53 | 500509201 | LC WP CUSHION (88100) |
| 54 | 501990101 | REAR TAP PLATE (885) |
| 55 | 502609101 | GASKET HDMI (88500) |
| 56 | 501034701 | REAR FRONT WP CUSHION (850) |
| 57 | 263556211 | SCREW (M1.7) (L = 2.5 mm) |
| 58 | 501032701 | MEDIA LID BASE (850) |
| 59 | 500509301 | REAR EV WP CUSHION (88100) |
| 60 | 500885701 | MEDIA LID WP SHEET (88100) |
| 61 | 501035701 | MEDIA LID ROTATION SPRING (850) |
| 62 | X50009231 | MEDIA LID ASSY (850) |
| 63 | 501035801 | MEDIA LID SHAFT (850) |
| 64 | 501034301 | MEDIA LID WP CUSHION (850) |
| 65 | 444694921 | SCREW (M1.7) (L = 3.0 mm) |

CABINET REAR SECTION-2



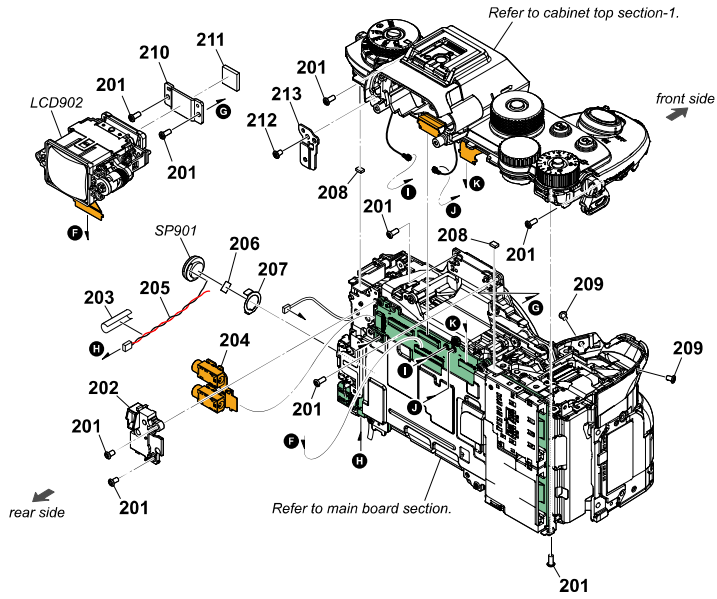
| Ref. No. | Part No. | Description |
|----------|--------------|----------------------------------|
| 101 | 263556211 | SCREW (M1.7) (L = 2.5 mm) |
| 102 | 501034102 | REAR PLATE (850) |
| 103 | A5001913A | SW-1033 FLEXIBLE BOARD, COMPLETE |
| 104 | A5001912A | JS-1012 FLEXIBLE BOARD, COMPLETE |
| 105 | 501185901 | JOY RETAINER PLATE (850) |
| 106 | 500389901 | JOY KNOB (88100) |
| 107 | A5014708A | JOY HOLDER PLATE (SERVICE_881) |
| 108 | 500390101 | JOY RUBBER (88100) |
| 109 | 100189121 | SWITCH BLOCK, CONTROL (BK88100) |
| 110 | 501495001 | C1 FN RUBBER (850) |
| 111 | 501033801 | FN BUTTON (850) |
| 112 | 500389801 | PLAYBACK DELETE RUBBER (88100) |
| 113 | 501034001 | DELETE BUTTON (850) |
| 114 | 501033901 | PLAYBACK BUTTON (850) |
| 115 | 501990501 | REAR BUTTON PLATE L (885) |
| 116 | 501497301 | REAR BUTTON PLATE AEL (850) |
| 117 | 501990401 | REAR BUTTON PLATE R (885) |
| 118 | 100760911 | KY-1033 FLEXIBLE BOARD |
| 119 | A5013739A | AEL BUTTON RUBBER (SERVICE_881) |
| 120 | 501033501 | AEL BUTTON (850) |
| 121 | A5013738A | AF BUTTON RUBBER (SERVICE_881) |
| 122 | 501033401 | AF BUTTON (850) |
| 123 | 501990301 | REC BUTTON (885) |
| 124 | 500388901 | C3 MENU RUBBER (88100) |
| 125 | 500388501 | MENU BUTTON (88100) |
| 126 | 500388401 | C3 BUTTON (88100) |
| 127 | A5025950A | FINDER COVER (850) (SERVICE) |
| 128 | 501142001 | EYE SENSOR RET CUSHION (850) |
| 129 | Not Supplied | - |
| 130 | 501034401 | EYE SENSOR WINDOW (850) |
| 131 | 501034501 | EYE SENSOR WP CUSHION (850) |
| 132 | 259947521 | SCREW (M1.7) (L = 3.0 mm) |
| 133 | 501990701 | LC LOCK (885) |
| 134 | 500684501 | LC LOCK WP CUSHION (88100) |
| 135 | A5030050A | CAB REAR ASSY (LOGO) (885) (S) |
| 136 | A5026721A | RS-1017 FLEXIBLE BOARD, COMPLETE |

PANEL MODULE SECTION



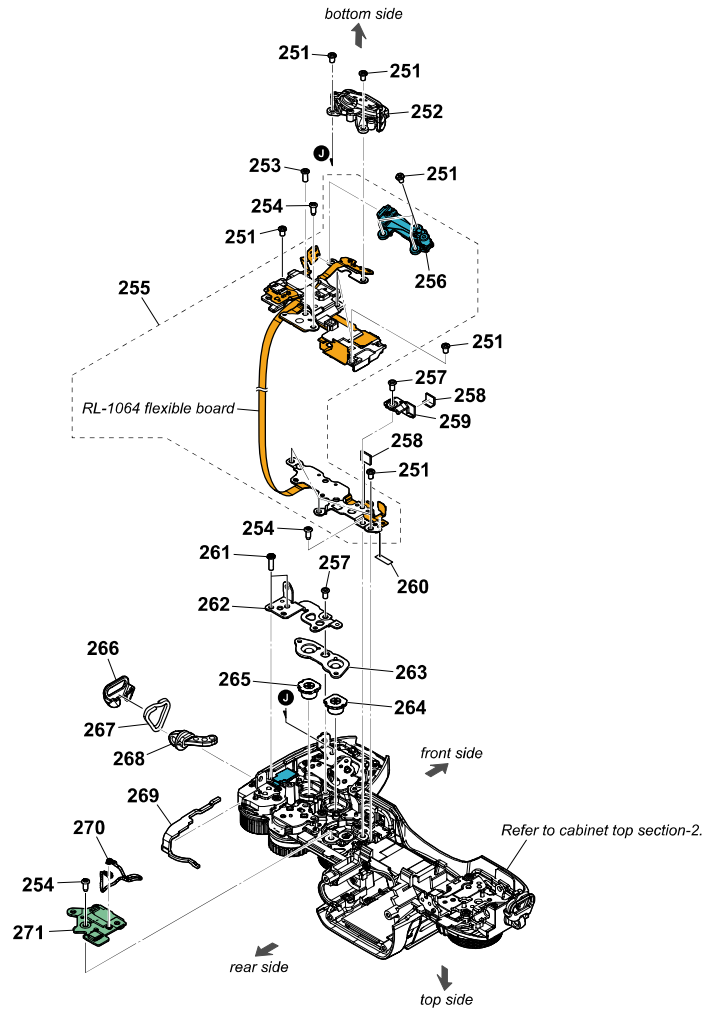
| Ref. No. | Part No. | Description |
|----------|--------------|-------------------------------------|
| 151 | 417812401 | SPECIAL (M1.4 (D2.75)) (L = 2.0 mm) |
| 152 | 500365501 | LC CAB REAR PLATE (88100) |
| 153 | A5014707A | LC CAB REAR (SERVICE) (88100) |
| 154 | 500411301 | CUSION LC-FPC-WP (88100) |
| 155 | 500411501 | ADHESIVE LC CAB REAR (88100) |
| 156 | X50002522 | HINGE ASSY (88100) |
| 157 | 455916201 | CAP (LC) (786), FLEXIBLE |
| 158 | 500392301 | SHEET LCD FPC ADHESIVE (88100) |
| LCD901 | Not Supplied | - |

VF BLOCK SECTION



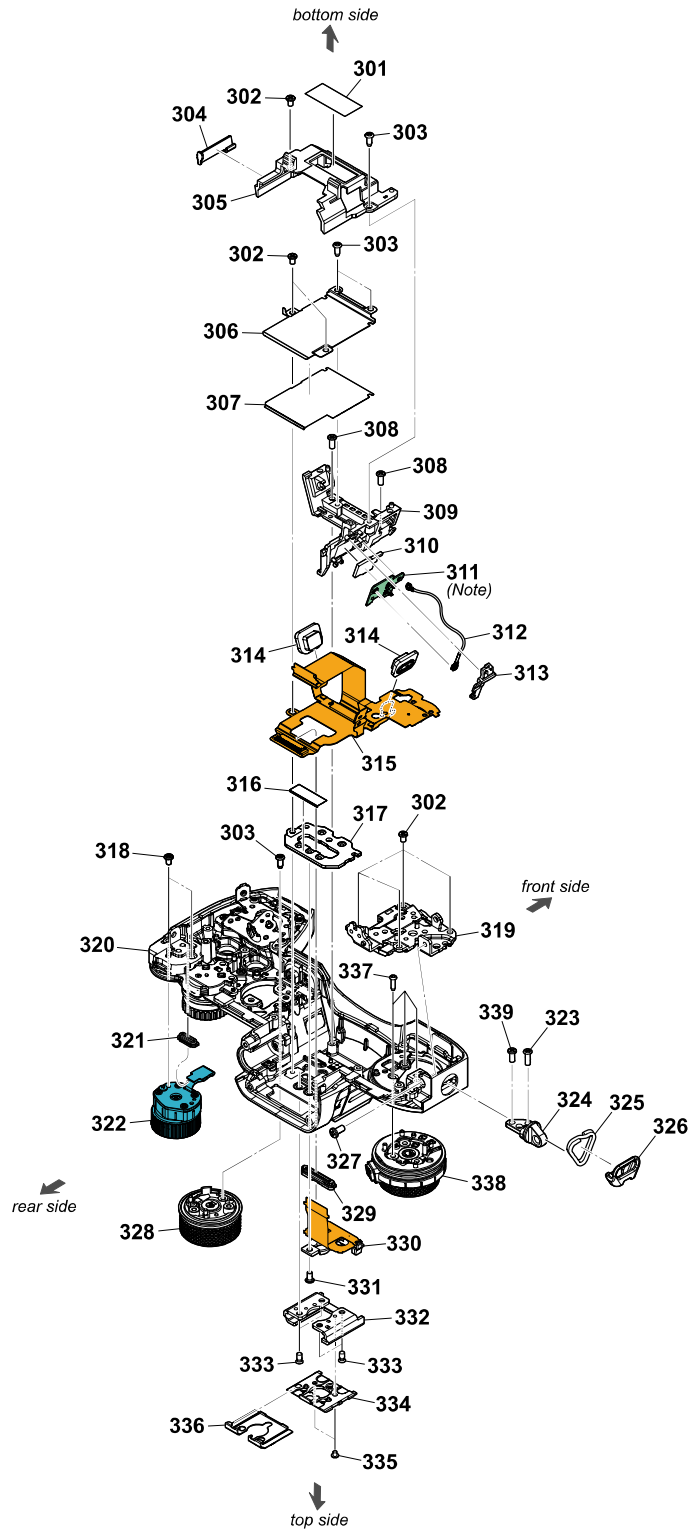
| Ref. No. | Part No. | Description |
|----------|--------------|----------------------------------|
| 201 | 444694901 | SCREW (M1.7) (L = 4.0 mm) |
| 202 | 501990801 | JK HOLDER (885) |
| 203 | 469210501 | SHEET (C (799)), FP PROTECTION |
| 204 | A5022316A | JK-1028 FLEXIBLE BOARD, COMPLETE |
| 205 | 184678731 | CABLE |
| 206 | 501696001 | SPEAKER GND SHEET (850) |
| 207 | 500463101 | SP INSULATION SHEET (88100) |
| 208 | 501139301 | HEAT TRANSFER SHEET T (850) |
| 209 | 218734521 | SCREW (M1.7), P2 (L = 2.5 mm) |
| 210 | 501031701 | EVF GF PLATE (850) |
| 211 | 501162501 | HEAT TRANSFER SHEET VF (850) |
| 212 | 263556211 | SCREW (M1.7) (L = 2.5 mm) |
| 213 | 501036101 | TOP CONNECT REAR PLATE (850) |
| LCD902 | Not Supplied | - |
| SP901 | 185921011 | LOUDSPEAKER (1.0 cm) |

CABINET TOP SECTION-1



| Ref. No. | Part No. | Description |
|----------|--------------|--|
| 251 | 263556211 | SCREW (M1.7) (L = 2.5 mm) |
| 252 | X50002651 | CNT DIAL F ASSY (88100) |
| 253 | 327048301 | GRIP, (M1.7 X 4.0) (2 MAIN EG) |
| 254 | 430011311 | TAPPING (1.7) (CH) (L = 4.0 mm) |
| 255 | Not Supplied | - |
| 256 | 100203811 | SWITCH BLOCK, CONTROL (RL88100) |
| 257 | 259947521 | SCREW (M1.7) (L = 3.0 mm) |
| 258 | 501141301 | AF CUSHION (850) |
| 259 | 501032201 | AF FIXED FRAME (850) |
| 260 | 501709901 | RL FPC SHADE SHEET (850) |
| 261 | 418654511 | SCREW, 0+Z M1.7 SG (SPIN) (L = 5.5 mm) |
| 262 | 501192101 | EYELET PLATE G (850) |
| 263 | 500385801 | CUSTOM BUTTON RUBBER (88100) |
| 264 | 500385701 | C2 BUTTON (88100) |
| 265 | 500385601 | C1 BUTTON (88100) |
| 266 | 448787501 | HOLDER, EYELET TRIANGLE (779) |
| 267 | 501695901 | EYELET TRIANGLE (850) |
| 268 | A5025945A | EYELET G (850) (SERVICE) |
| 269 | 501083101 | TOP WP CUSHION F6 (850) |
| 270 | 184647441 | CABLE, COAXIAL (45 mm) |
| 271 | A5001902A | AN-1034 BOARD, COMPLETE |

CABINET TOP SECTION-2

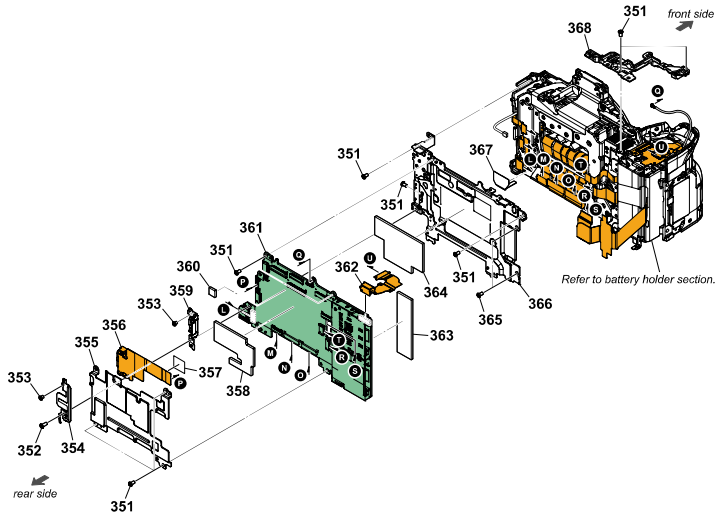


Note

The AN-1037 board is also used in other models. Therefore, when replacing the AN-1037 board, be sure to replace it with the AN-1037 board for this model.

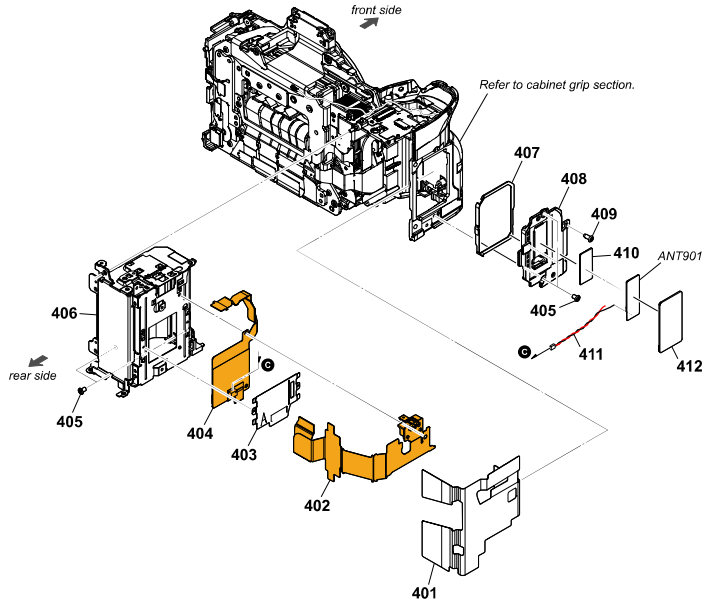
| Ref. No. | Part No. | Description |
|----------|-----------|--|
| 301 | 501137801 | EVF SHADE SHEET (850) |
| 302 | 263556211 | SCREW (M1.7) (L = 2.5 mm) |
| 303 | 430011311 | TAPPING (1.7) (CH) (L = 4.0 mm) |
| 304 | 501137001 | DIOPTER COVER WP SHEET B (850) |
| 305 | 501031601 | EVF PROTECTOR (850) |
| 306 | 501031901 | SH FPC RETAINER (850) |
| 307 | 501137301 | SH FPC PROTECT SHEET (850) |
| 308 | 327048301 | GRIP, (M1.7 X 4.0) (2 MAIN EG) |
| 309 | 501031401 | MIC WIFI HOLDER (850) |
| 310 | 501701101 | CABI AN CUSHION (850) |
| 311 | A5024519A | AN-1037 BOARD, COMPLETE (Note) |
| 312 | 184647441 | CABLE, COAXIAL (45 mm) |
| 313 | 501538501 | CABI AN SPACER (850) |
| 314 | 502687801 | RUBBER (885), MICROPHONE |
| 315 | A5026722A | SH-1029 FLEXIBLE BOARD, COMPLETE |
| 316 | 501710001 | MIS PROT SHEET (850) |
| 317 | 501031201 | MI SHOE FIX PLATE (850) |
| 318 | 218734521 | SCREW (M1.7), P2 (L = 2.5 mm) |
| 319 | X50017281 | TOP FIX PLATE L ASSY (885) |
| 320 | A5030049A | CABINET TOP ASSY (LOGO) (885) (S) |
| 321 | A5025946A | EV DIAL FPC WP RUBBER (850) (S) |
| 322 | 100189211 | SWITCH BLOCK, CONTROL (EV88100) |
| 323 | 259947541 | SCREW (M1.7) (L = 5.0 mm) |
| 324 | A5025944A | EYELET L (850) (SERVICE) |
| 325 | 501695901 | EYELET TRIANGLE (850) |
| 326 | 448787501 | HOLDER, EYELET TRIANGLE (779) |
| 327 | 308020332 | SCREW (M2), NEW TRUSTER, P2 (L = 4.0 mm) |
| 328 | A5025943A | MD DIAL ASSY (850) (SERVICE) |
| 329 | 501695501 | MI SHOE FPC WP RUBBER (850) |
| 330 | A5001908A | MIS-2006 BOARD, COMPLETE |
| 331 | 259947521 | SCREW (M1.7) (L = 3.0 mm) |
| 332 | 500294302 | MI SHOE SHELL PLATE (88100) |
| 333 | 500294701 | SCREW (M1.7) SPECIAL HEAD |
| 334 | 500294602 | MI SHOE SCREW COVER (88100) |
| 335 | 428743511 | SCREW (M1.4 EUROPE) TYPE (L = 1.4 mm) |
| 336 | 500294502 | MI SHOE SPRING PLATE (88100) |
| 337 | 430010611 | BTITE (1.4 (CH)) (L = 5.0 mm) |
| 338 | X50017271 | 2 STEP DIAL ASSY (885) |
| 339 | 444694901 | SCREW (M1.7) (L = 4.0 mm) |

MAIN BOARD SECTION



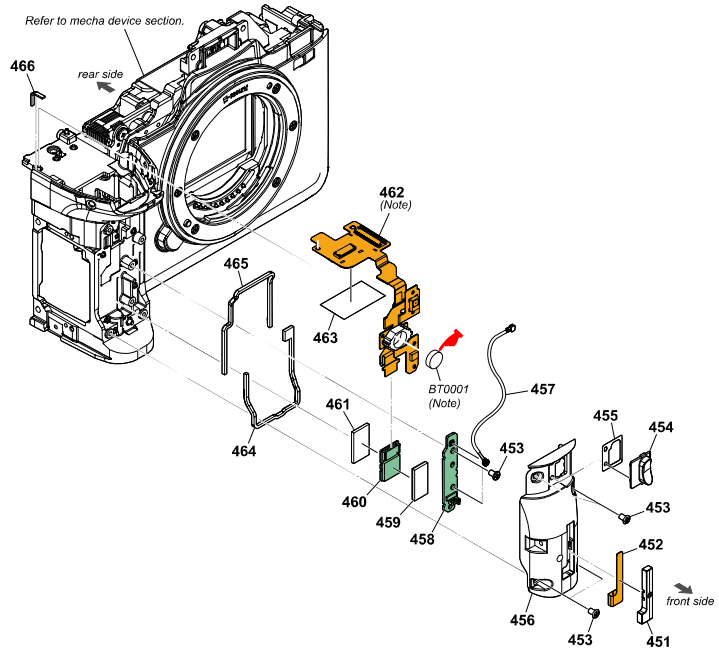
| Ref. No. | Part No. | Description |
|----------|--------------|----------------------------------|
| 351 | 259947521 | SCREW (M1.7) (L = 3.0 mm) |
| 352 | 444694901 | SCREW (M1.7) (L = 4.0 mm) |
| 353 | 259947501 | SCREW (M1.7) (L = 2.0 mm) |
| 354 | 501988501 | HDMI FIX PLATE R (885) |
| 355 | 501988301 | BTOB FIX PLATE (885) |
| 356 | A5026723A | HD-1008 FLEXIBLE BOARD, COMPLETE |
| 357 | 502100301 | HD FPC PROT SHEET (885) |
| 358 | 501139101 | HEAT TRANSFER SHEET A (850) |
| 359 | 501988401 | HDMI FIX PLATE F (885) |
| 360 | 501695601 | HEAT TRANSFER SHEET M (850) |
| 361 | Not Supplied | - |
| 362 | 198422111 | FP-2438 FLEXIBLE BOARD |
| 363 | 501695801 | HEAT TRANSFER SHEET BT (850) |
| 364 | 501139201 | HEAT TRANSFER SHEET B (850) |
| 365 | 263556211 | SCREW (M1.7) (L = 2.5 mm) |
| 366 | X50017251 | HEAT PLATE ASSY (885) |
| 367 | 501696101 | SP HARNESS GUIDE SHEET (850) |
| 368 | 501082901 | HARNESS HOLDER (850) |

BATTERY HOLDER SECTION



| Ref. No. | Part No. | Description |
|----------|-----------|------------------------------------|
| 401 | 501138901 | GRAPHITE SHEET CFE SY (850) |
| 402 | A5023247A | BT_SOLDER (BT-2033 flexible board) |
| 403 | 500371201 | VG FPC FIX PLATE (88100) |
| 404 | A5001907A | VG-1007 FLEXIBLE BOARD, COMPLETE |
| 405 | 263556211 | SCREW (M1.7) (L = 2.5 mm) |
| 406 | X50009141 | BTH ASSY (850) |
| 407 | 500708401 | WP CUSHION NFC (88100) |
| 408 | 501028801 | NFC BASE (850) |
| 409 | 430011311 | TAPPING (1.7) (CH) (L = 4.0 mm) |
| 410 | 500369401 | NFC ADHESIVE (88100) |
| 411 | 184678731 | CABLE |
| 412 | 502113801 | NFC SPACER SHEET (850) |
| ANT901 | 175497213 | NFC ANTENNA |

CABINET GRIP SECTION



lithium battery (secondary) (Ref. No. BT0001)


| Ref. No. | Part No. | Description |
|----------|--------------|-------------------------------------|
| 451 | 501027901 | GRIP ANT SPACER (850) |
| 452 | 188959212 | AN-1006 FLEXIBLE BOARD |
| 453 | 263556211 | SCREW (M1.7) (L = 2.5 mm) |
| 454 | 500368901 | IR WINDOW (88100) |
| 455 | 500369001 | IR WINDOW ADHESIVE (88100) |
| 456 | 501027801 | CABINET GRIP (850) |
| 457 | 184647431 | CABLE, COAXIAL (110 mm) |
| 458 | A5009582A | AN-1035 BOARD, COMPLETE |
| 459 | 501138301 | CUSHION (G (850)), GYRO |
| 460 | Not Supplied | - |
| 461 | 469214901 | CUSHION (799), GYRO |
| 462 | Not Supplied | - |
| 463 | 500708501 | ADHESIVE DL TOP (88100) |
| 464 | 501224601 | GRIP WF CUSHION B (850) |
| 465 | 501028001 | GRIP WF CUSHION (850) |
| 466 | 500367901 | WP CUSHION F A (88100) |
| ⚠ BT0001 | 175613418 | BATTERY, LITHIUM (SECONDARY) (Note) |


—

SUPPLIED ACCESSORIES

Note

Items marked “*” are not stocked since they are seldom required for routine service. Some delay should be anticipated when ordering these items.

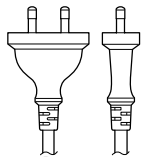
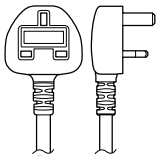
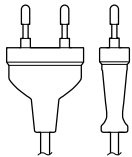
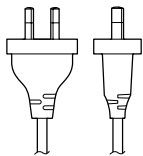
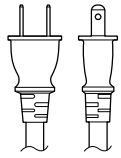
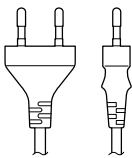
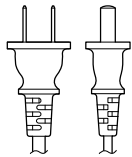
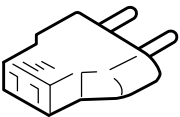
The components identified by mark  or dotted line with mark are critical for safety. Replace only with part number specified.

Les composants identifiés par une marque  sont critiques pour la sécurité. Ne les remplacer que par une pièce portant le numéro spécifié.

Click the part image to enlarge the image.

| Ref. No. | Product | Part No. | Description |
|----------|---------|-----------|---|
| * | | 502548011 | MANUAL, INSTRUCTION (ENGLISH) |
| * | | 502548021 | MANUAL, INSTRUCTION (FRENCH) |
| * | | 502548031 | MANUAL, INSTRUCTION (SPANISH, PORTUGUESE) |
| * | | 502548041 | MANUAL, INSTRUCTION (ENGLISH, FRENCH, GERMAN, SPANISH, DUTCH, SWEDISH, ITALIAN, PORTUGUESE, DANISH, FINNISH, NORWEGIAN, POLISH, RUSSIAN, UKRAINIAN) |
| * | | 502548051 | MANUAL, INSTRUCTION (TRADITIONAL CHINESE, SIMPLIFIED CHINESE) |
| * | | 502548061 | MANUAL, INSTRUCTION (ARABIC, PERSIAN) |
| * | | 502548071 | MANUAL, INSTRUCTION (KOREAN) |
| * | | 502548081 | MANUAL, INSTRUCTION (SIMPLIFIED CHINESE) |
| * | | 502548091 | MANUAL, INSTRUCTION (FRENCH, RUSSIAN) |
| * | | 502548111 | MANUAL, INSTRUCTION (HUNGARIAN) |
| * | | 502548121 | MANUAL, INSTRUCTION (SLOVAK) |
| * | | 502548131 | MANUAL, INSTRUCTION (CZECH) |
| * | | 502548141 | MANUAL, INSTRUCTION (THAI) |
| * | | 502548151 | MANUAL, INSTRUCTION (INDONESIAN) |

| Ref. No. | Product | Part No. | Description |
|----------|---------|-----------|--|
| △901 | | 149324313 | Battery charger (BC-QZ1) (US, CND, JE) |
| | | 149324323 | Battery charger (BC-QZ1) (CH) |
| | | 149324336 | Battery charger (BC-QZ1) (AEP, UK, E: PAL, E: NTSC, KR, IND, AF) |
| △902 | | 802663103 | Rechargeable battery pack (NP-FZ100-JCE) (AEP, UK, E: PAL, E: NTSC, JE, KR, IND, AF) |
| | | 802663130 | Rechargeable battery pack (NP-FZ100-UC) (US, CND) |
| | | 802663175 | Rechargeable battery pack (NP-FZ100-CN1) (CH) |
| 903 | | 191235812 | USB Type-C cable |
| 904 | | 501992501 | Shoulder strap |
| 905 | | 418853601 | Body cap |
| 906 | | X50017311 | Cable protector |
| 907 | | 443873403 | Shoe cap |
| 908 | | X50009261 | Eyepiece cup |
| △909 | | 184608911 | Power cord (mains lead) (JE) |
| △910 | | 184642513 | Power cord (mains lead) (US, CND) |

| Ref. No. | Product | Part No. | Description |
|----------|---|-----------|--|
| ▲911 |  | 184806614 | Power cord (mains lead) (IND) |
| ▲912 |  | 183742114 | Power cord (mains lead) (AEP, UK, E: PAL, AF) (Note) |
| ▲913 |  | 184642011 | Power cord (mains lead) (AEP, UK, E: PAL, AF) (Note) |
| ▲914 |  | 184609512 | Power cord (mains lead) (E: PAL) (Note) |
| ▲915 |  | 184643113 | Power cord (mains lead) (E: NTSC) |
| ▲916 |  | 183742814 | Power cord (mains lead) (KR) |
| ▲917 |  | 183870513 | Power cord (mains lead) (CH) |
| ▲918 |  | 156900731 | Conversion (2P) Adaptor (E: NTSC, JE) |

Note

Select the power cord that matches your countries/regions.



FRAME SCHEMATIC DIAGRAMS

FRAME SCHEMATIC DIAGRAMS

Zoom in

